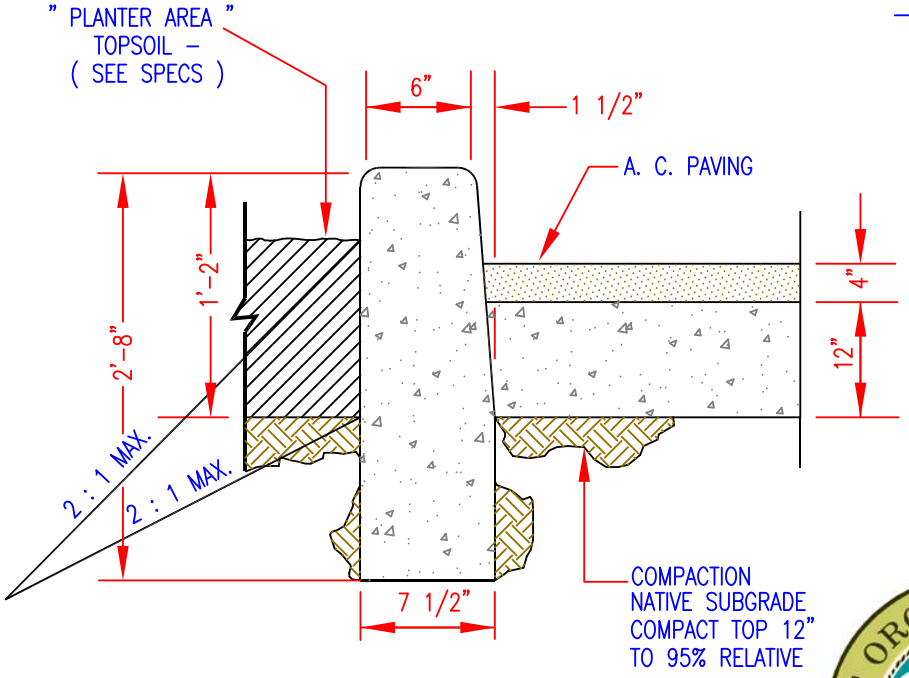


84' - R/W
64 FT 4 LANES STREET
(NO PARKING)



DETAIL 'A'
PCC CURB



CITY OF OROVILLE DEPARTMENT OF PUBLIC WORKS		
STANDARD FOR COMMERCIAL STREET WITH MEDIAN STRIP		
DRAWN BY: T.F.	RICK WALLS, P.E. DIRECTOR OF PUBLIC WORKS DEPARTMENT	SHEET 1 OF 1 ST-03
REVISED BY: SG		