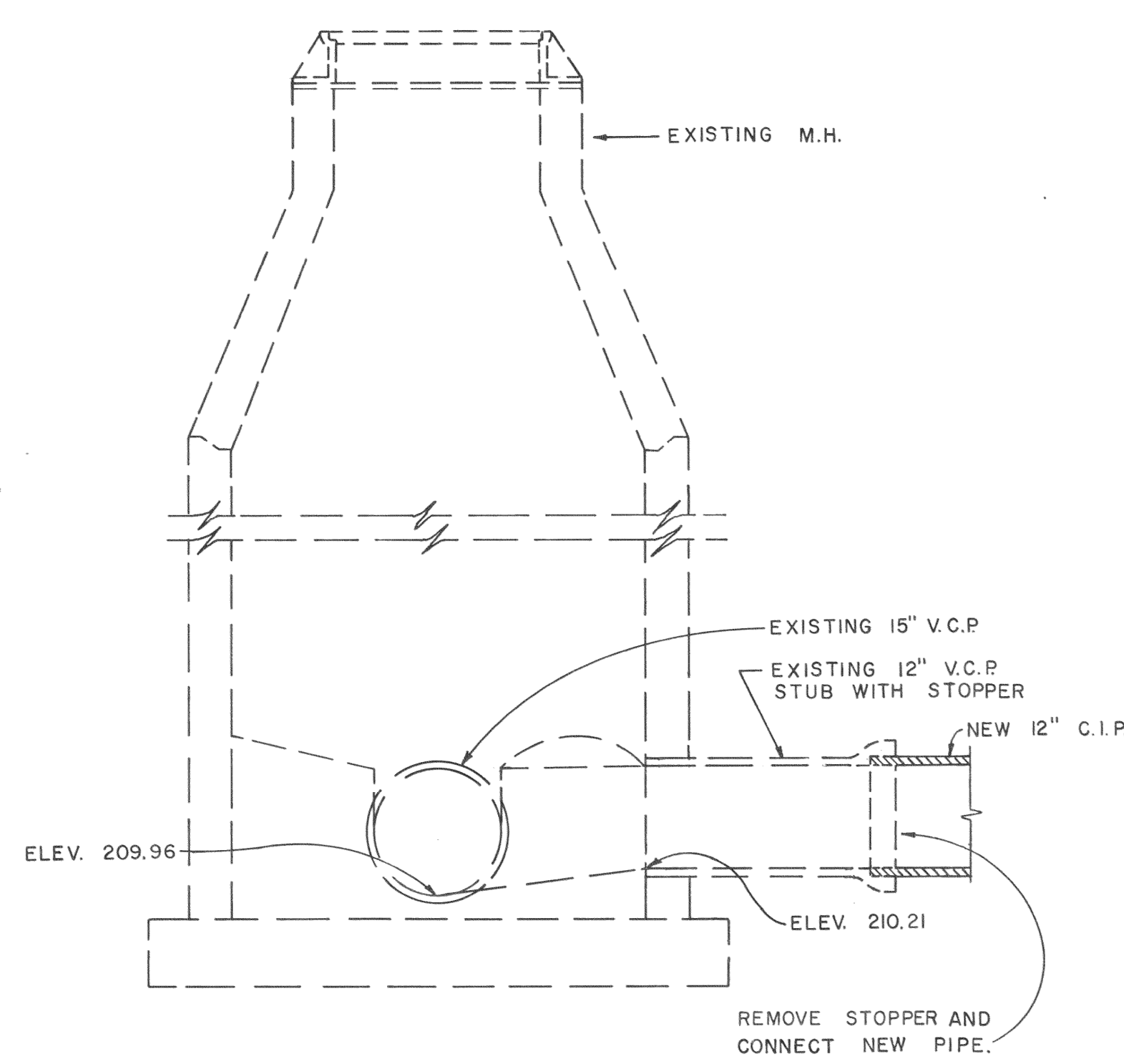
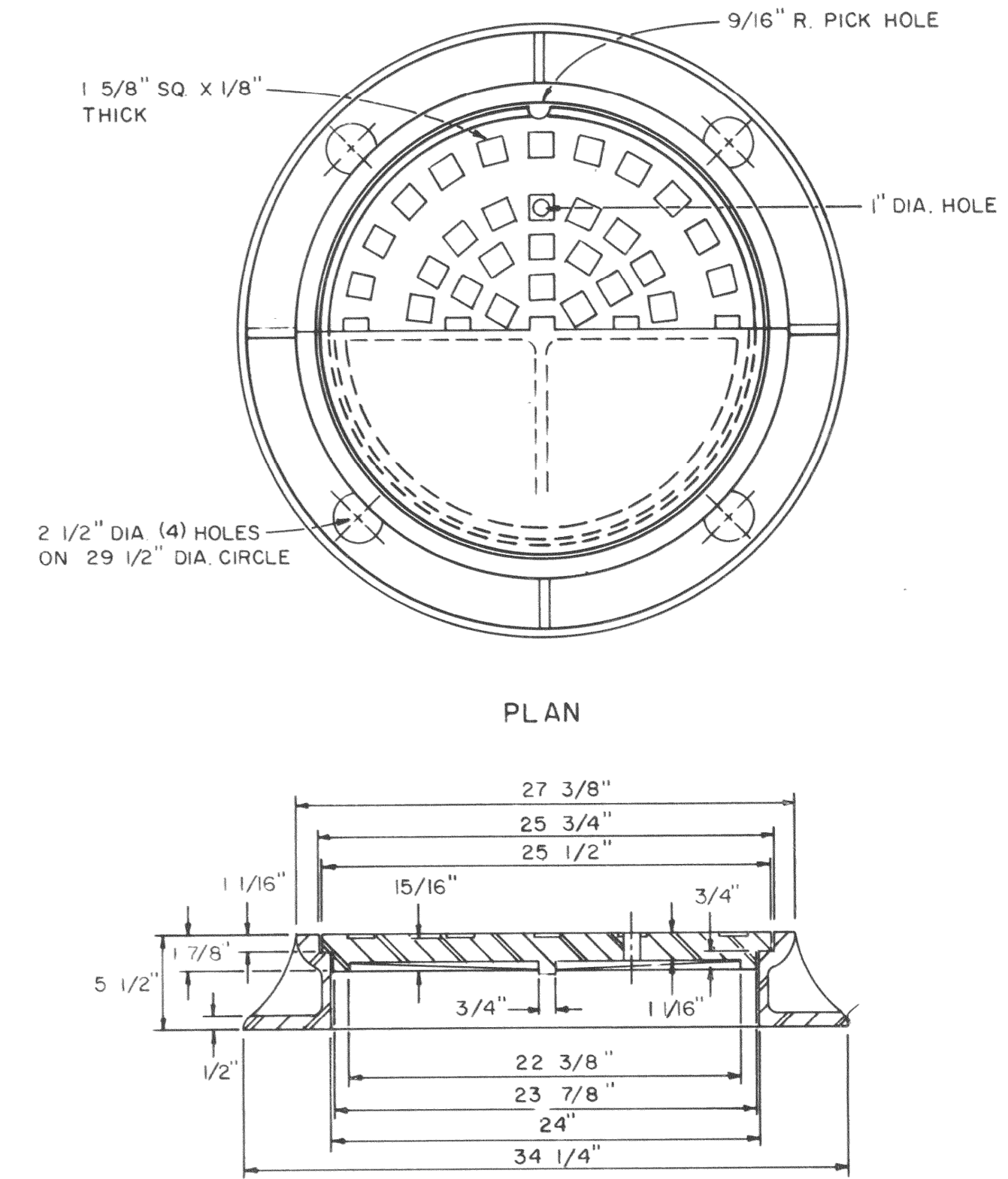


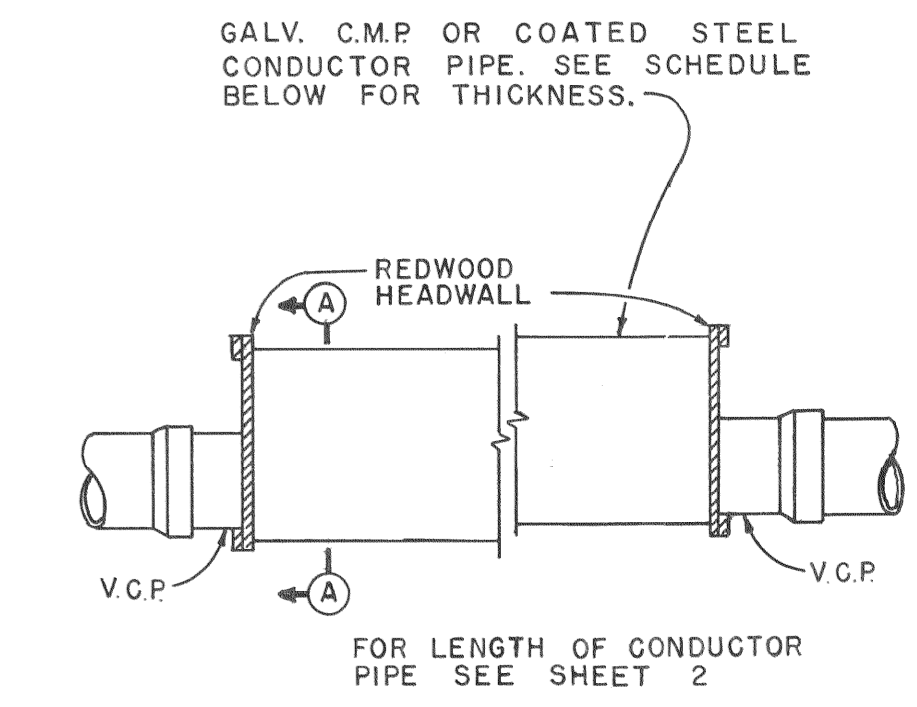
**STANDARD PRECAST MANHOLE**  
NO SCALE



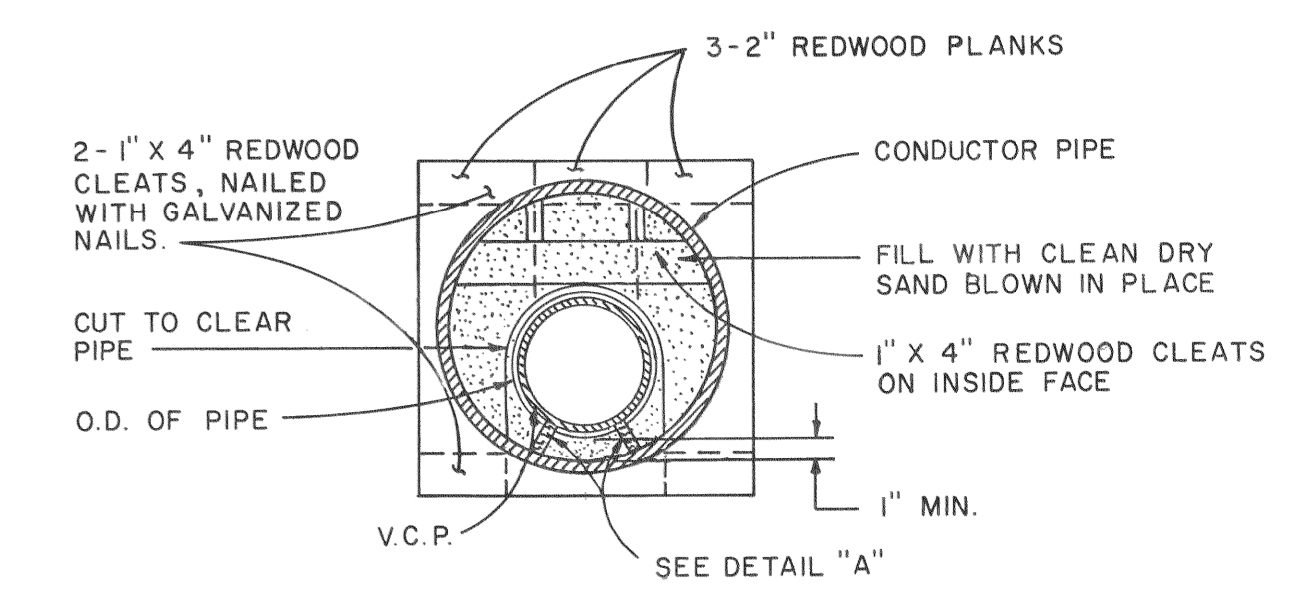
**CONNECTION TO EXISTING MANHOLE**  
NO SCALE



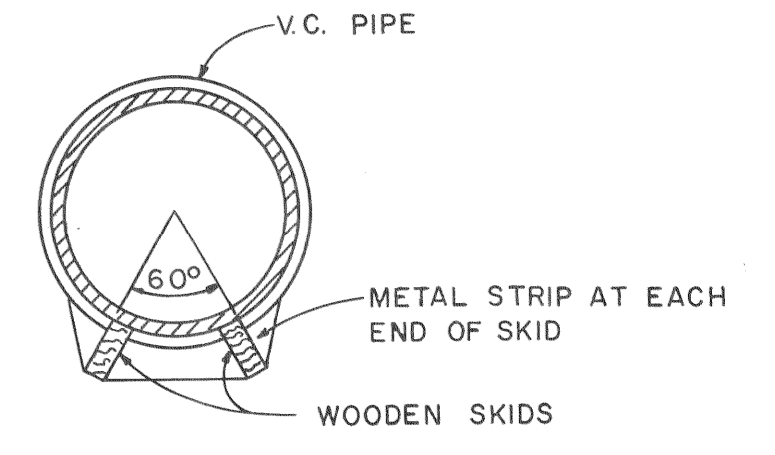
**MANHOLE FRAME & COVER**  
NO SCALE



**CONDUCTOR PIPE**  
NO SCALE

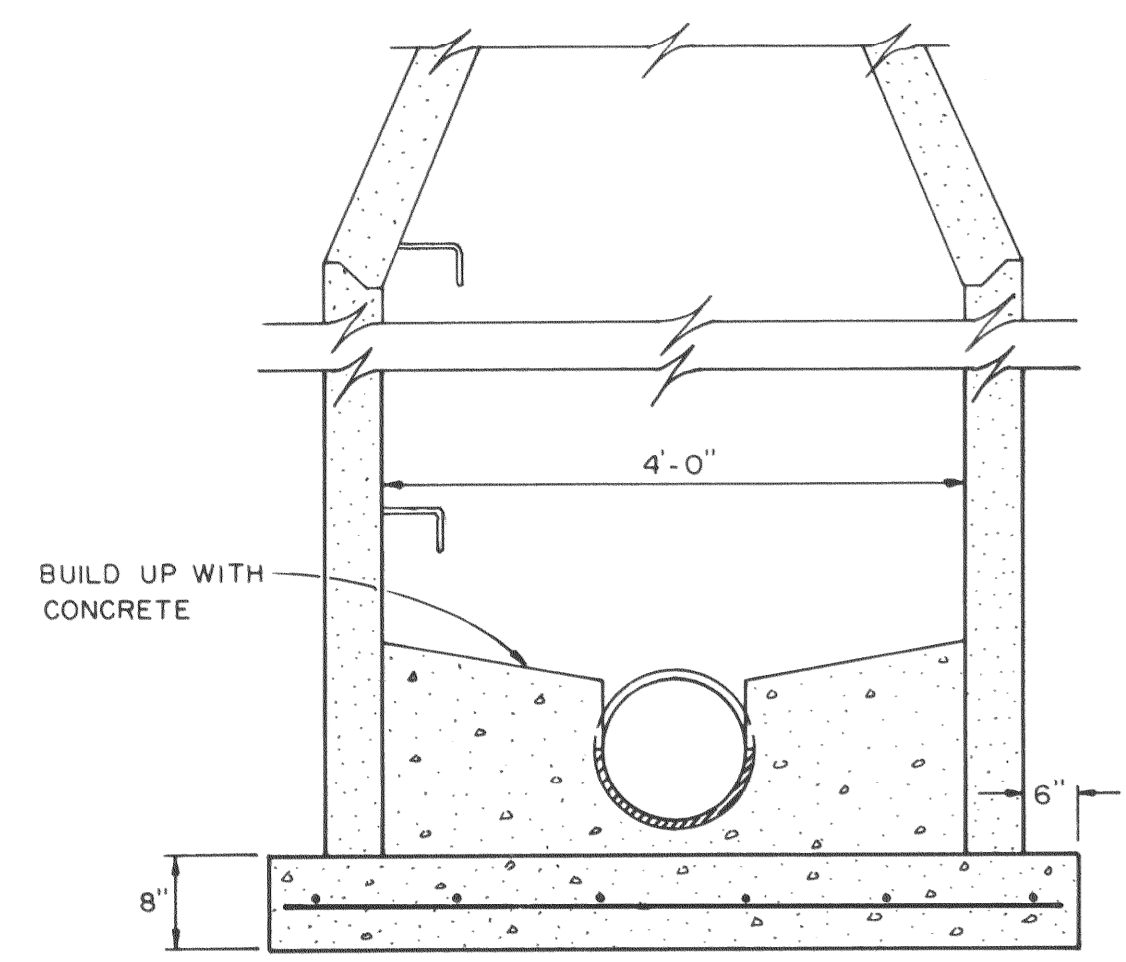


**SECTION "A"**  
NO SCALE

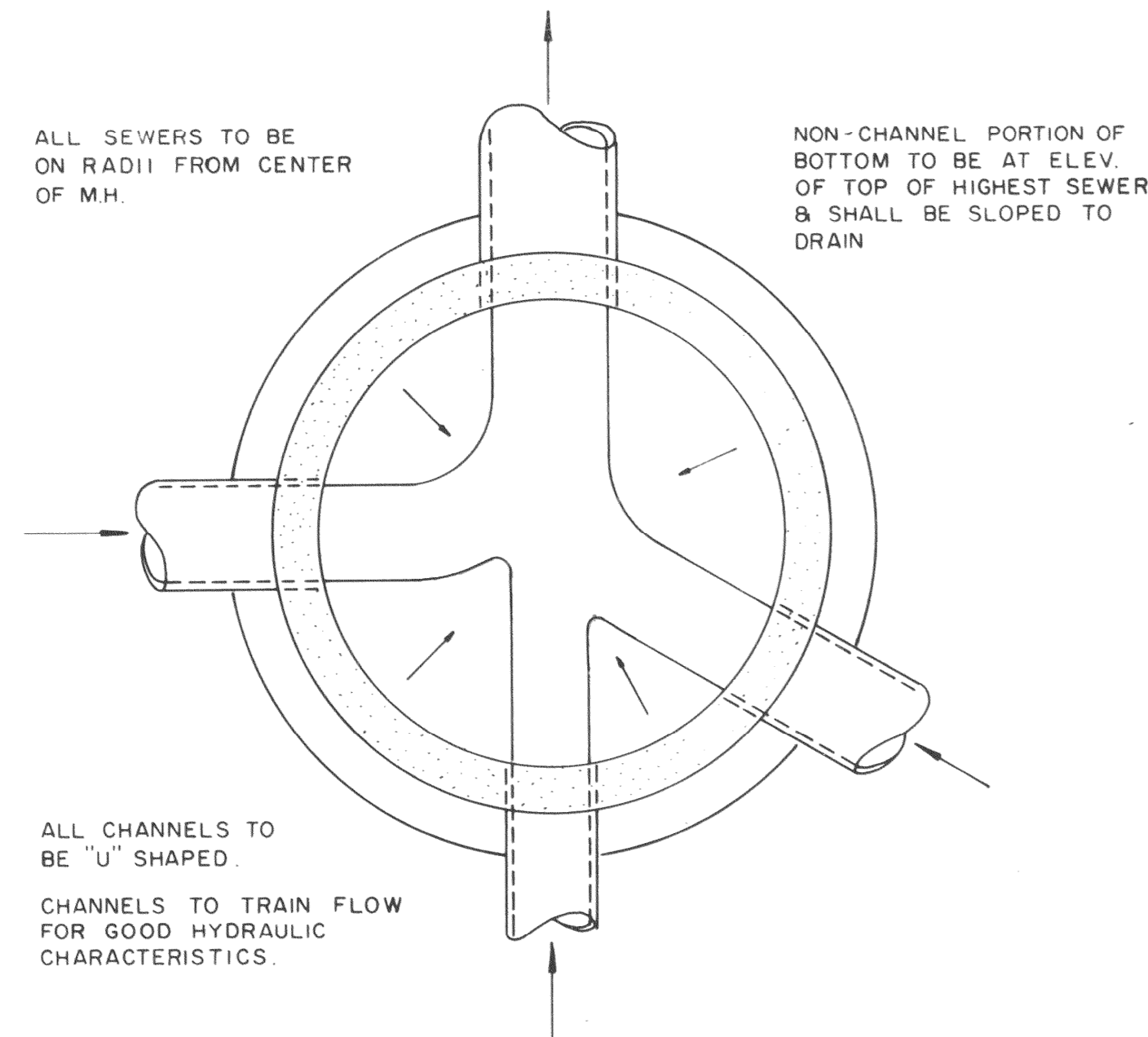


**DETAIL "A"**  
NO SCALE

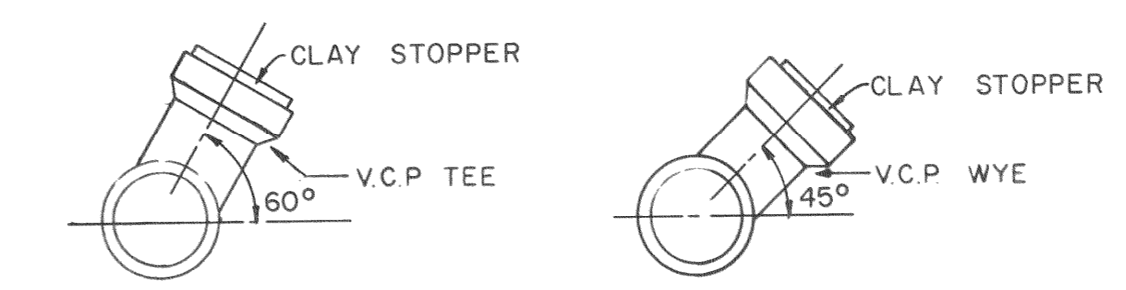
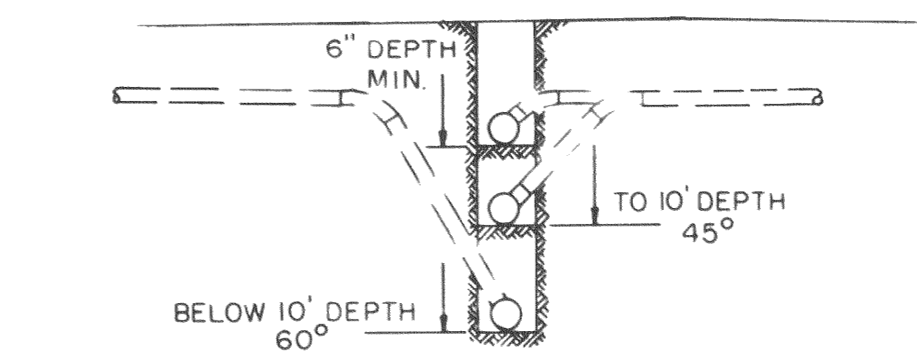
TWO WOODEN SKIDS 1'-0" LONG, EACH LENGTH V.C.P. SKIDS TO BE OF SIZE SUCH THAT BELL CLEARS CONDUCTOR. SKID HEIGHT NOT TO BE MORE THAN 50% MORE THAN WIDTH. SKID TO BE SECURED TO PIPE BY STRAP, EACH END. GROOVE SKIDS FOR STRAP CLEARANCE.



**TYPICAL MANHOLE BASE SECTION**  
NO SCALE



**COMPOSITE MANHOLE BOTTOM**  
NO SCALE



**WYE SETTING DETAIL**  
NO SCALE

WYES TO BE INSTALLED IN LOCATIONS AS DIRECTED.

**CONDUCTOR PIPE THICKNESS SCHEDULE**

SIZE	GALV. C.M.P.	ASPHALT COATED STEEL
24"	10 Gauge	1/4"
27"	8 Gauge	5/16"
30"	8 Gauge	5/16"
36"	8 Gauge	5/16"

**DEWANTE AND STOWELL**  
SANITARY AND CIVIL ENGINEERS - SACRAMENTO, CALIFORNIA

REVISION	DATE	DESCRIPTION	BY	APPD

APPROVED  
*Michael J. ...*  
CITY ENGINEER, R.C.E. 11440

CITY OF OROVILLE  
BUTTE COUNTY, CALIFORNIA  
DRY CREEK SEWER MAIN EXTENSION  
MISCELLANEOUS DETAILS

DATE	SHEET NO.
MAY 1963	4

CHKD DRWN  
E.R.S. R.E.J. OF 4