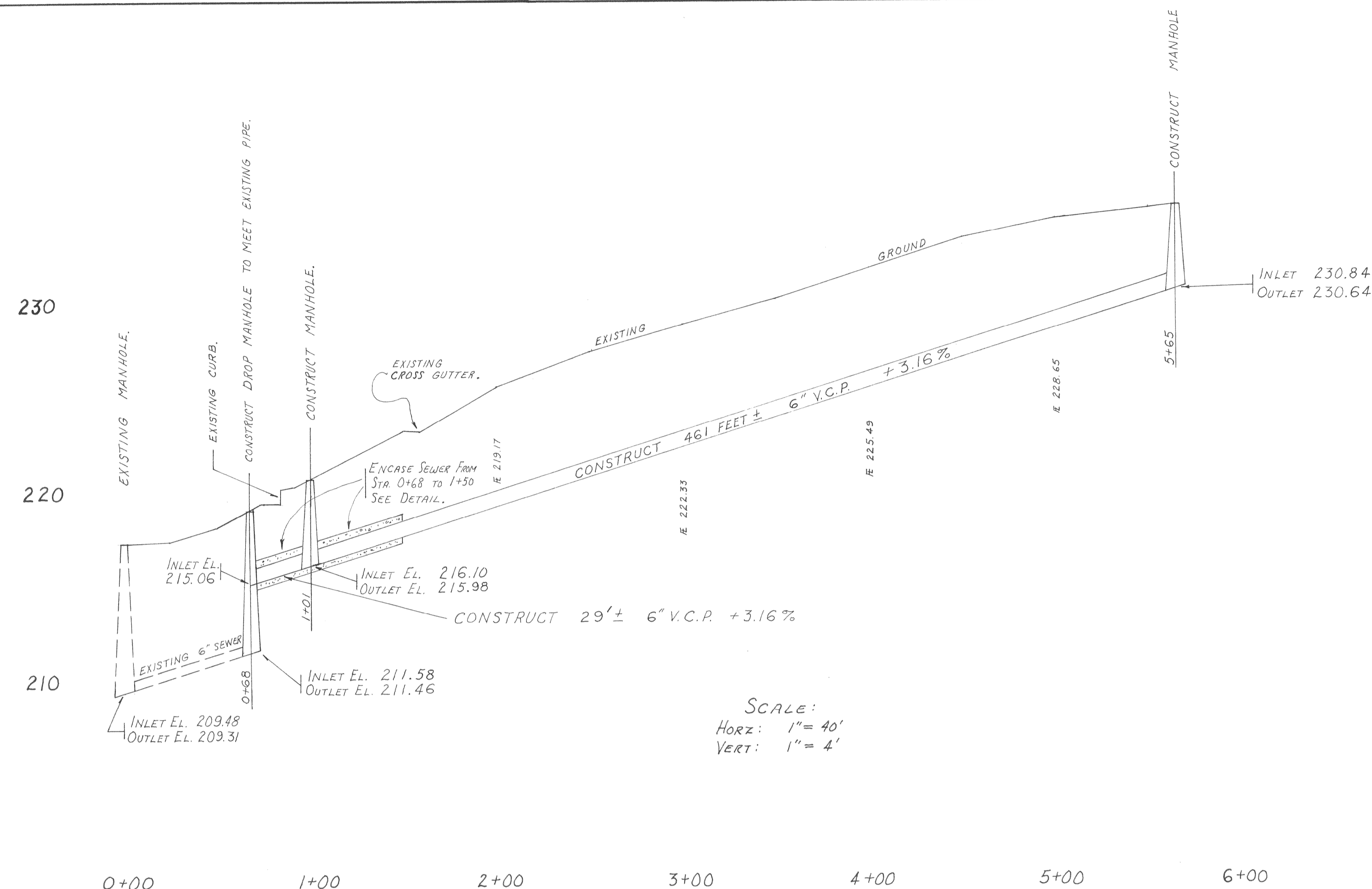


**BENCH MARK**  
 IRON PIPE AT INTERSECTION OF LINCOLN ST. AND ORO DAM BLVD.  
 ELEVATION 217.27

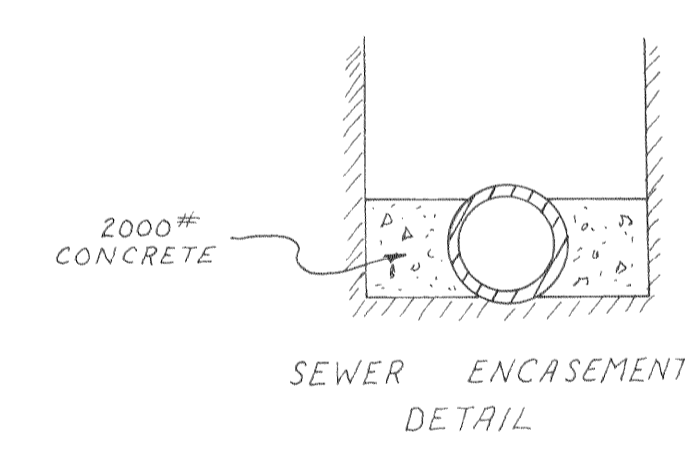
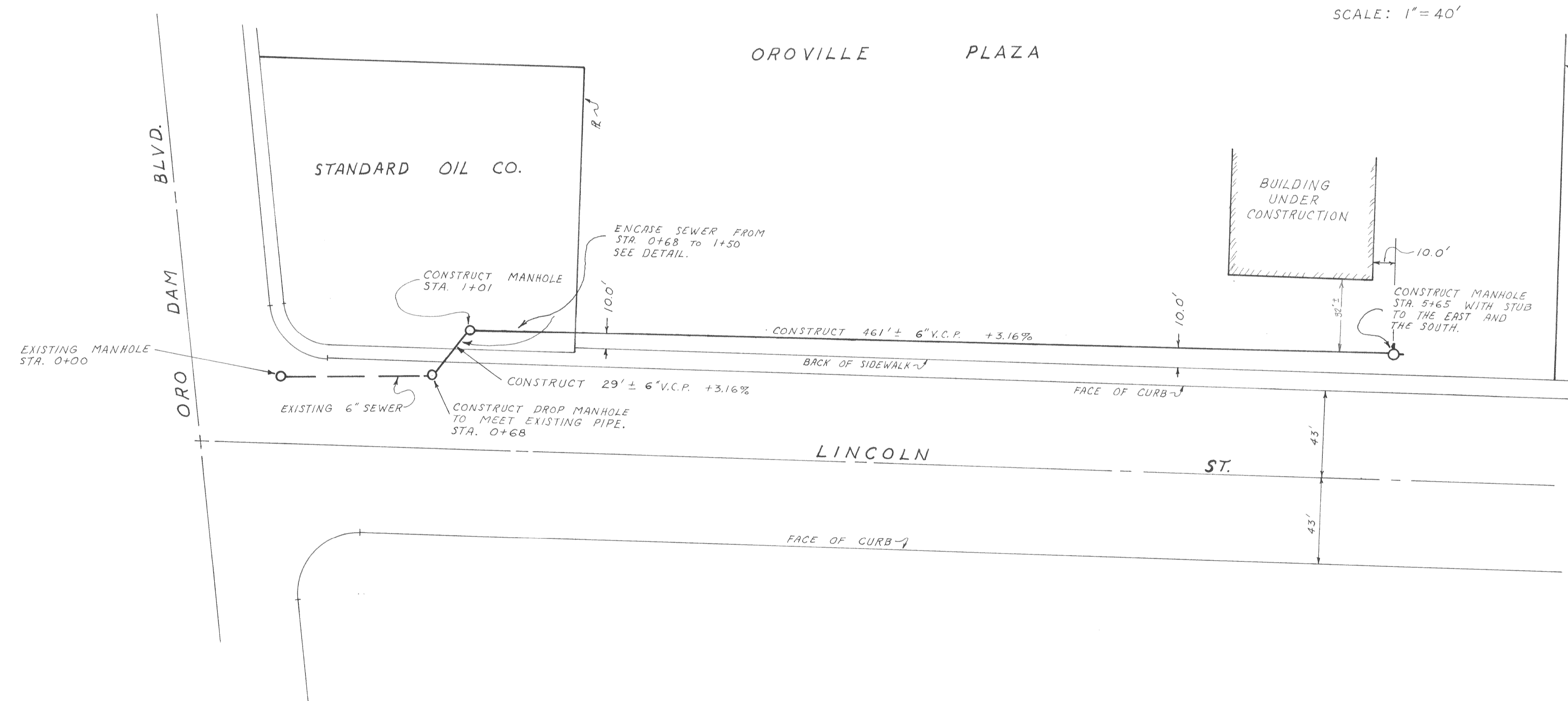


SCALE:  
 Horz: 1" = 40'  
 Vert: 1" = 4'

**NOTE:**  
 ALL WORK SHALL BE IN ACCORDANCE WITH THE CITY OF OROVILLE STANDARDS AND SPECIFICATION.

0+00      1+00      2+00      3+00      4+00      5+00      6+00

SCALE: 1" = 40'



REV	DATE	DESCRIPTION	APPL
<b>CITY of OROVILLE</b>			
PLAN AND PROFILE LINCOLN ST. SANITARY SEWER EXTENSION 600' SOUTH OF ORO DAM BLVD.			
DRAWN BY JAN. 64, RA	APPROVED <i>Michael Zamora</i> CITY ENGINEER RE 11440	DATE 1/21/6	
CHECKED BY R.A. [Signature]			SHEET 1 OF 1