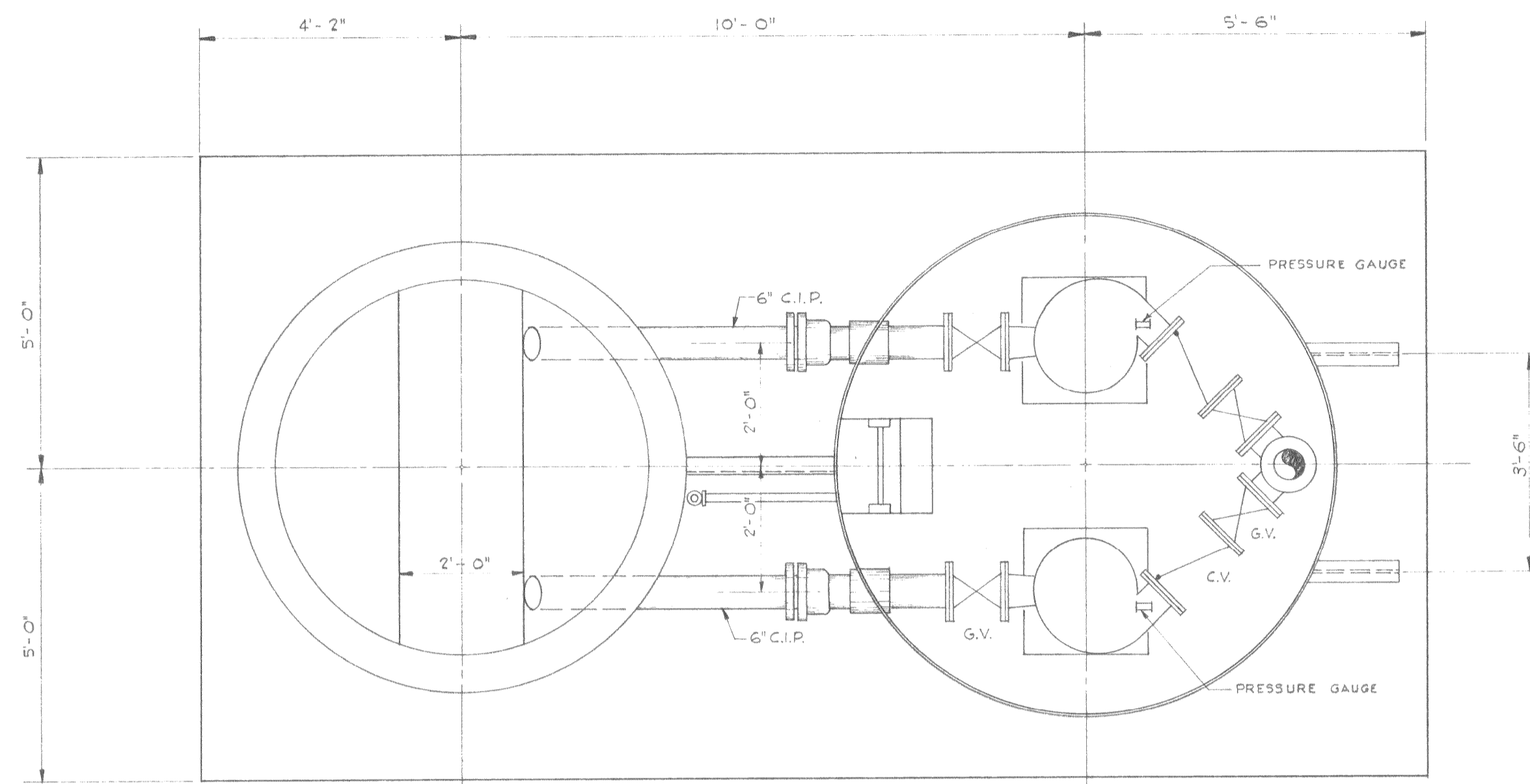
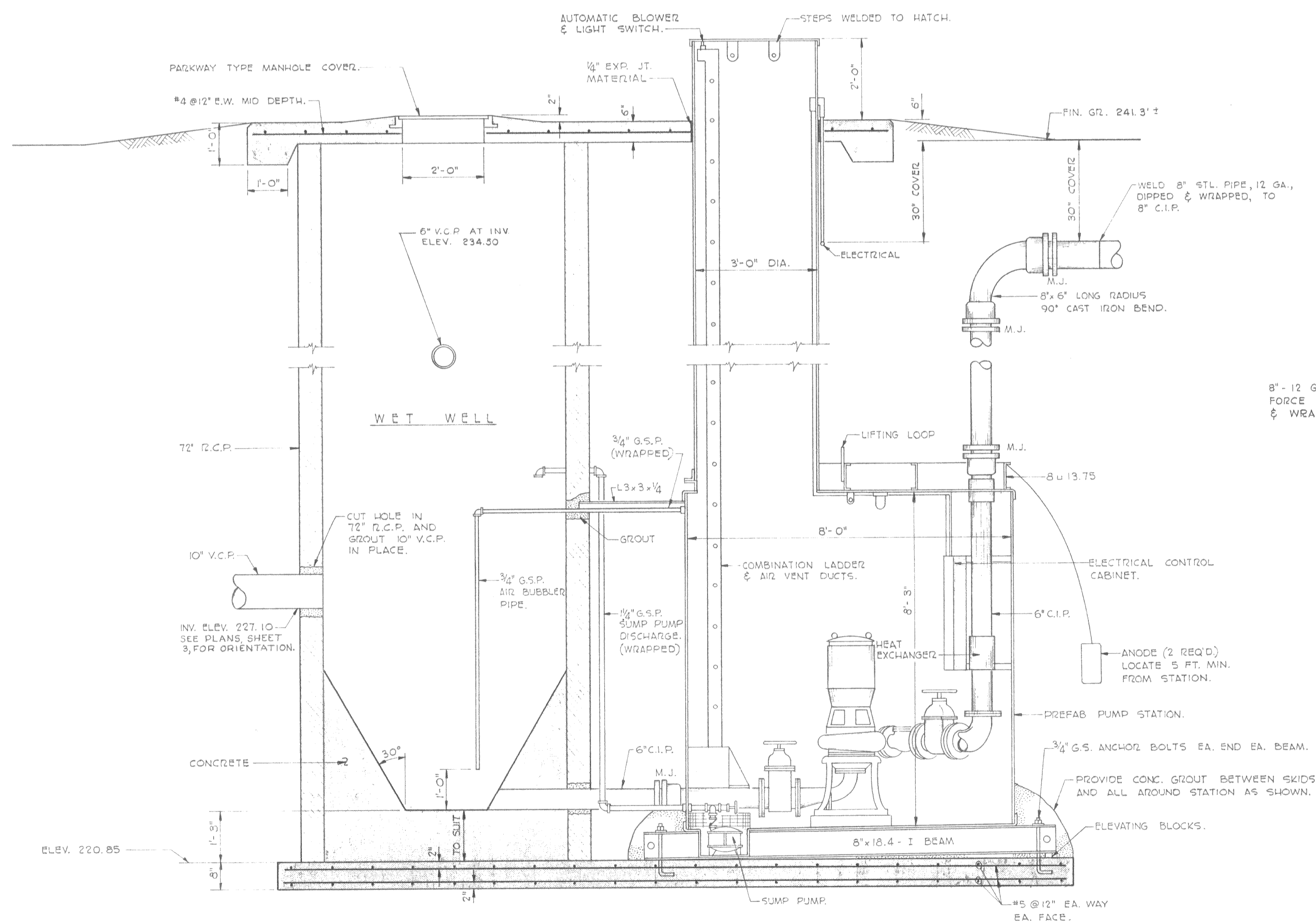


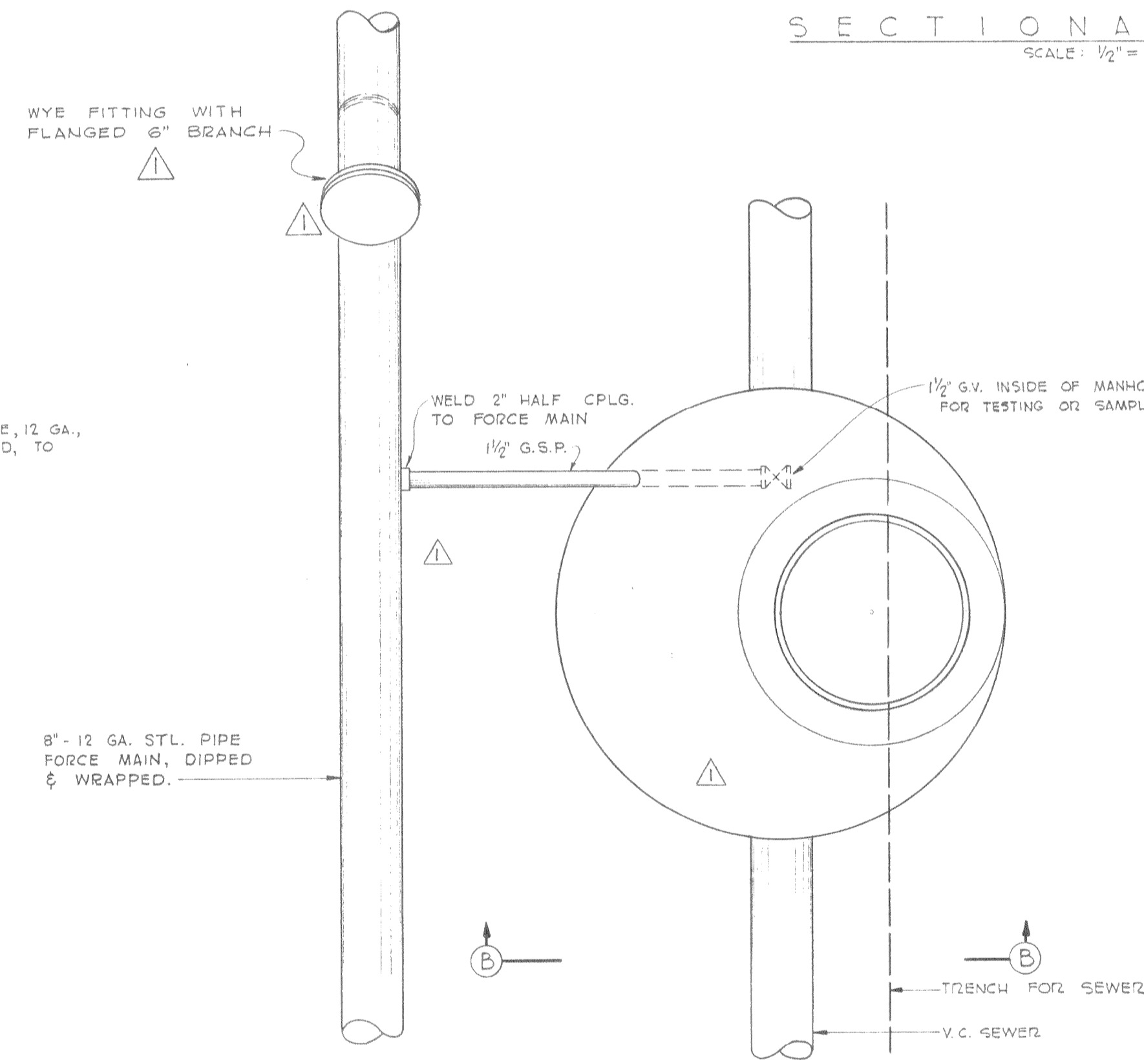
TOP PLAN  
SCALE: 1/2" = 1'-0"



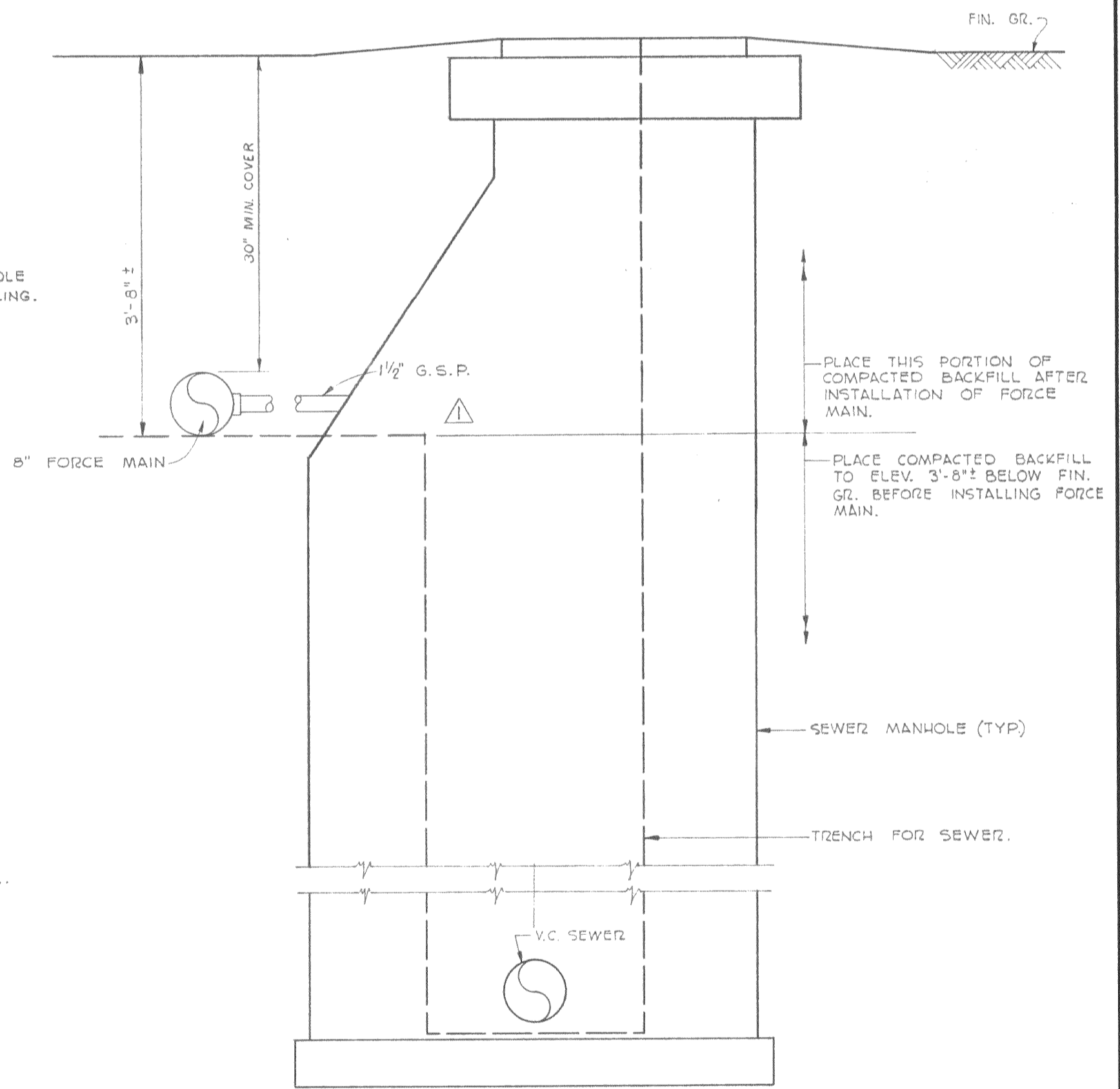
SECTIONAL PLAN  
SCALE: 1/2" = 1'-0"



SECTION A  
SCALE: 1/2" = 1'-0"



PLAN  
FORCE MAIN DETAILS  
SCALE: 3/4" = 1'-0"



SECTION B  
"AS-BUILT"

REVISION	DATE	DESCRIPTION	BY	APPD.
Δ A. B.	3-26-63	RELOCATED FORCE MAIN OUTSIDE OF MANHOLE.	H.N.H.	

CITY OF OROVILLE  
OROVILLE, CALIFORNIA  
MUNICIPAL SEWER DISTRICT NO. 1  
SANITARY SEWER PROJECT  
SEWAGE PUMPING STATION  
& MISCELLANEOUS DETAILS

DEWANTE AND STOWELL  
SANITARY AND CIVIL ENGINEERS—SACRAMENTO, CALIFORNIA

DRAWN: H.N.H.	SUBMITTED:	SHEET NO.
CHECKED: E.R.S.	APPROVED: <i>Edmund R. Stowell</i>	25
DATE: Mar., 1962	APPROVED: <i>R.M. Compton</i>	OF 25