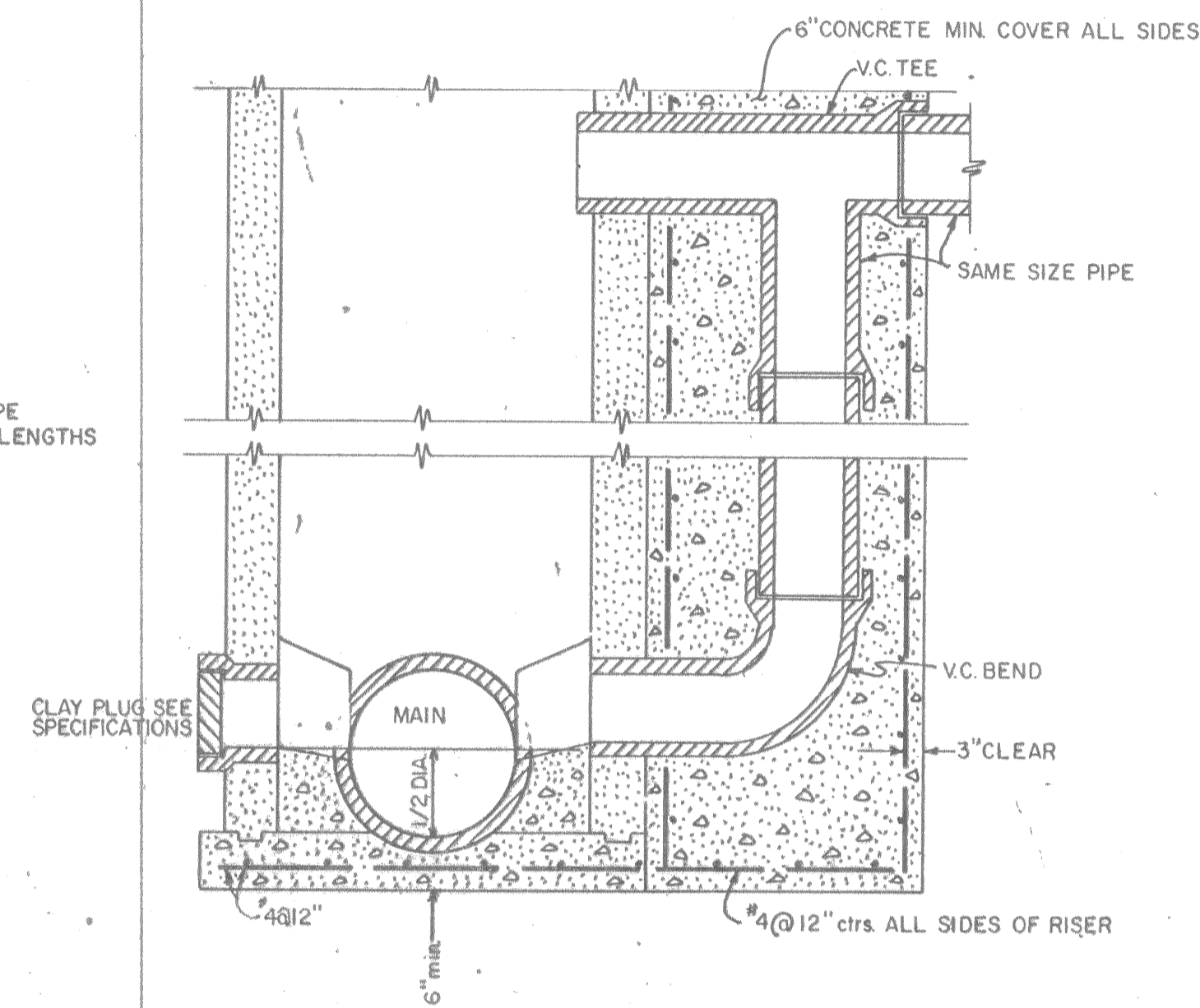


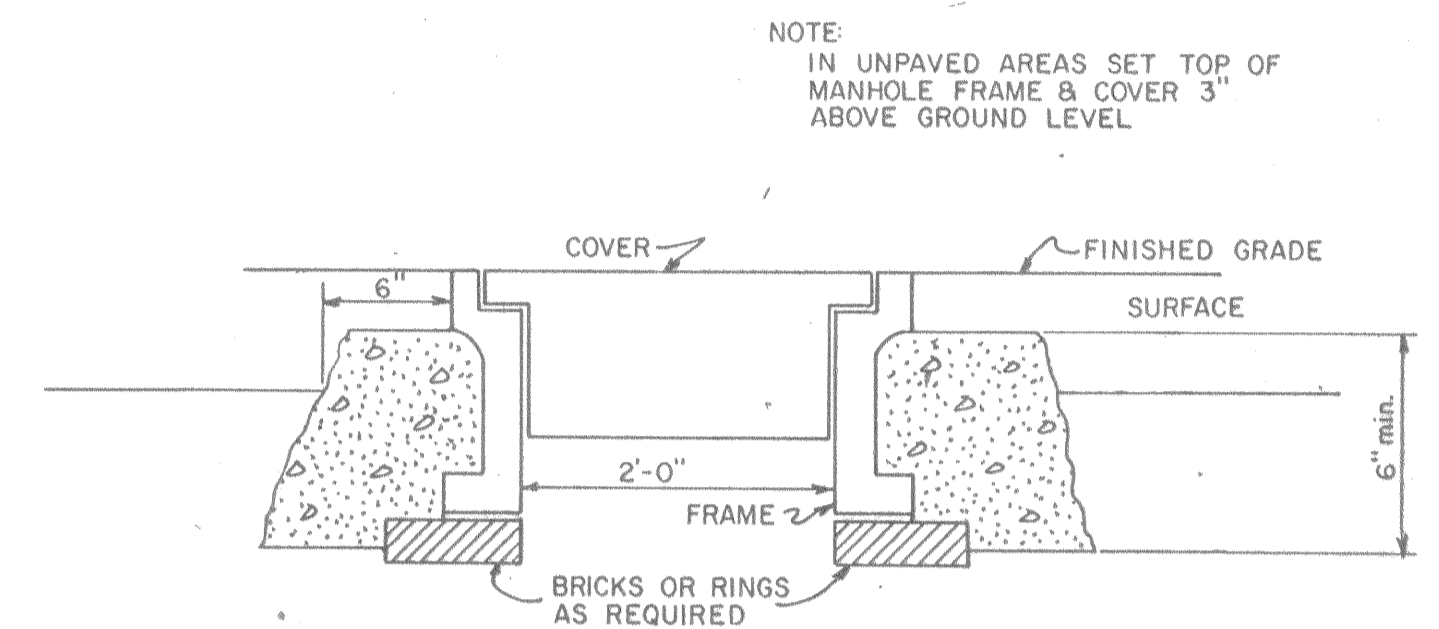
STANDARD MANHOLES PRECAST CONCRETE OR BRICK

NO SCALE



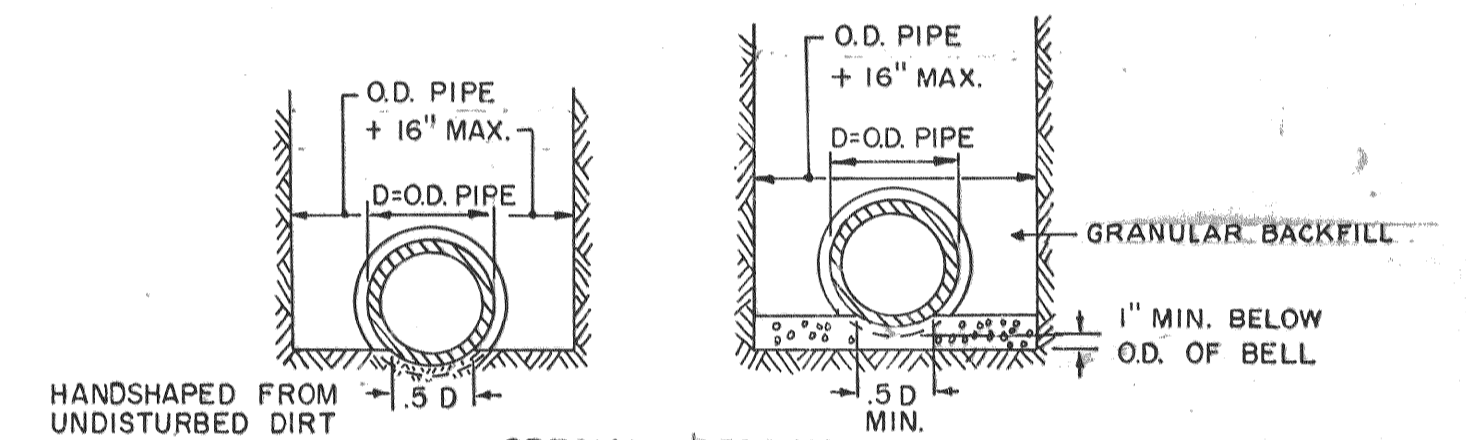
TYPICAL STUB & DROP MANHOLE

NO SCALE



METHOD OF SETTING MANHOLE RING & COVER

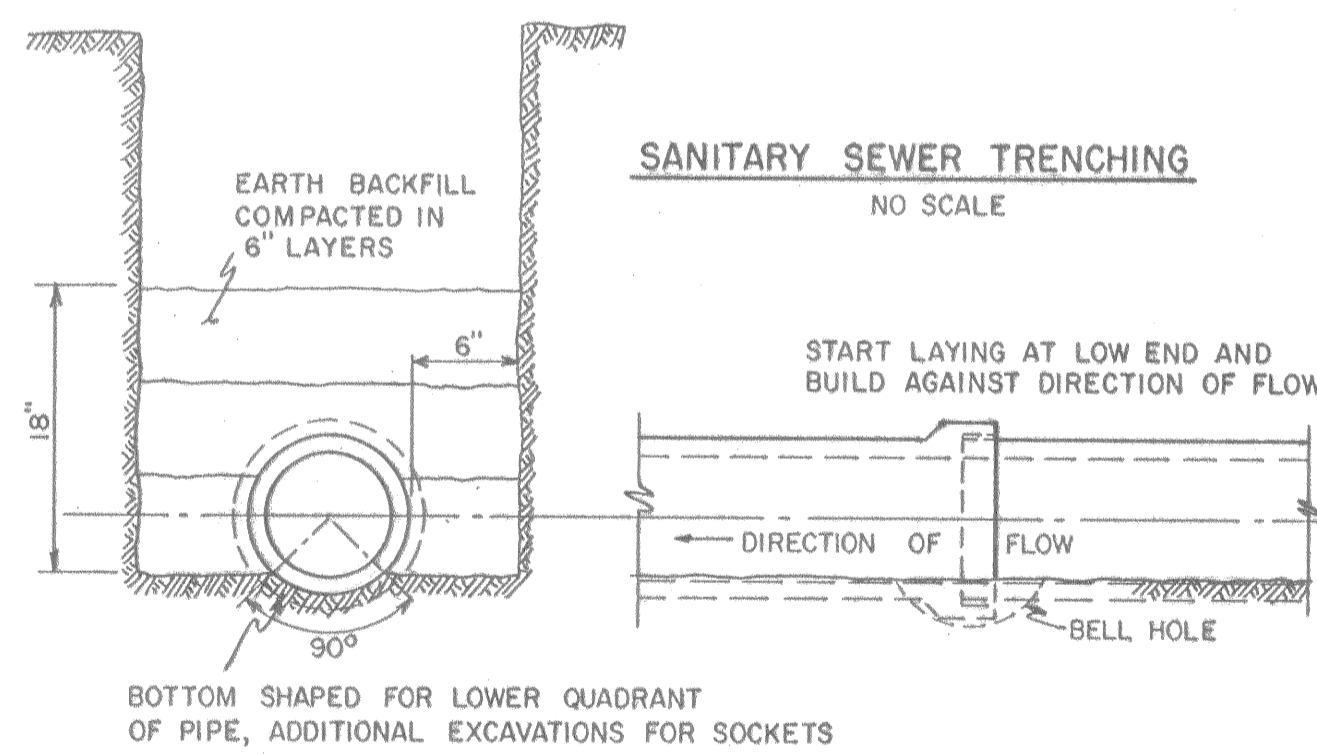
NO SCALE



SPECIAL BEDDING

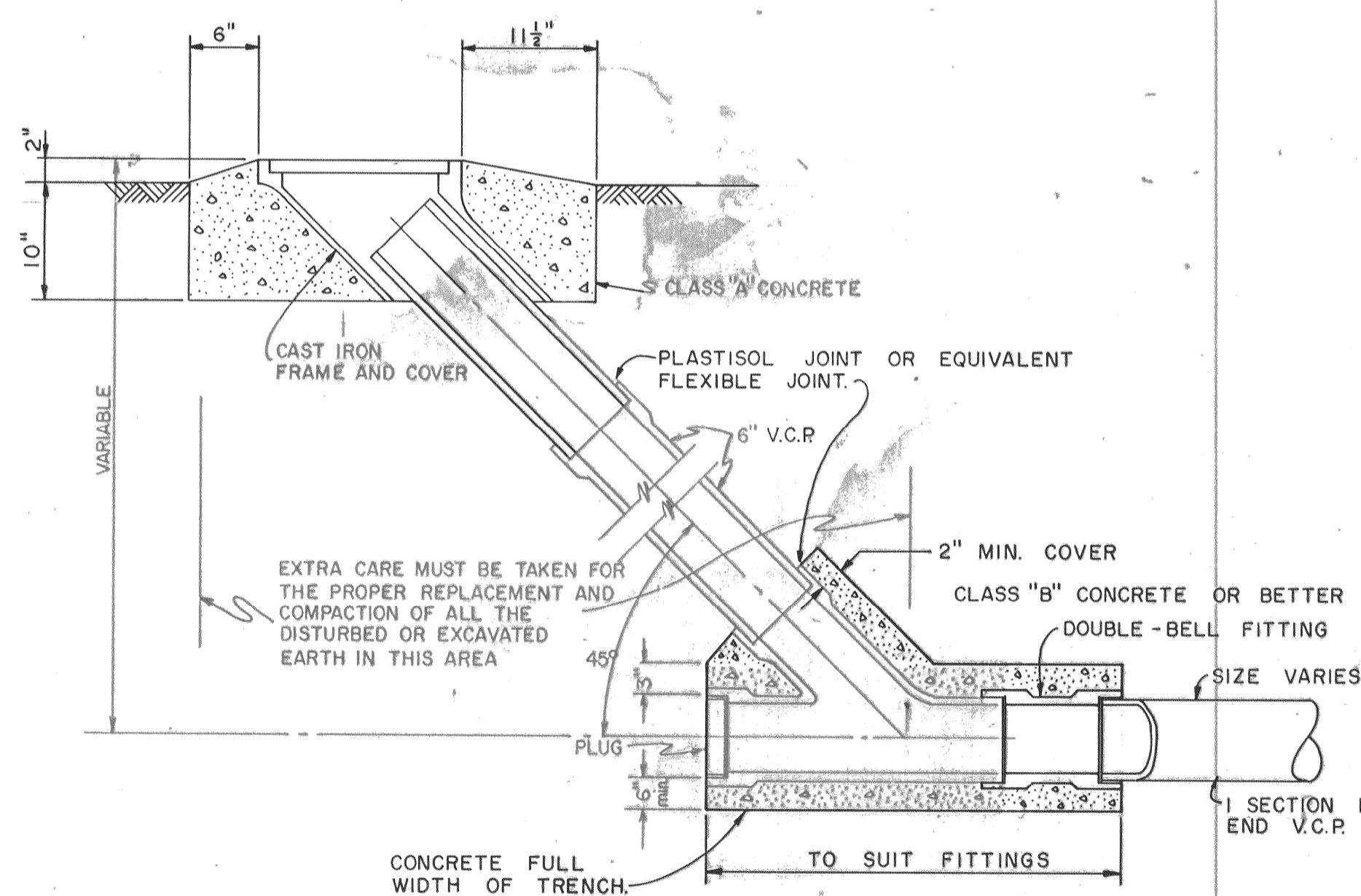
NO SCALE

(FOR USE WHERE SPECIAL BEDDING AS ALTERNATIVE TO HOLDING WIDTH OF TRENCH AT TOP OF PIPE IS CALLED FOR ON PLANS.)



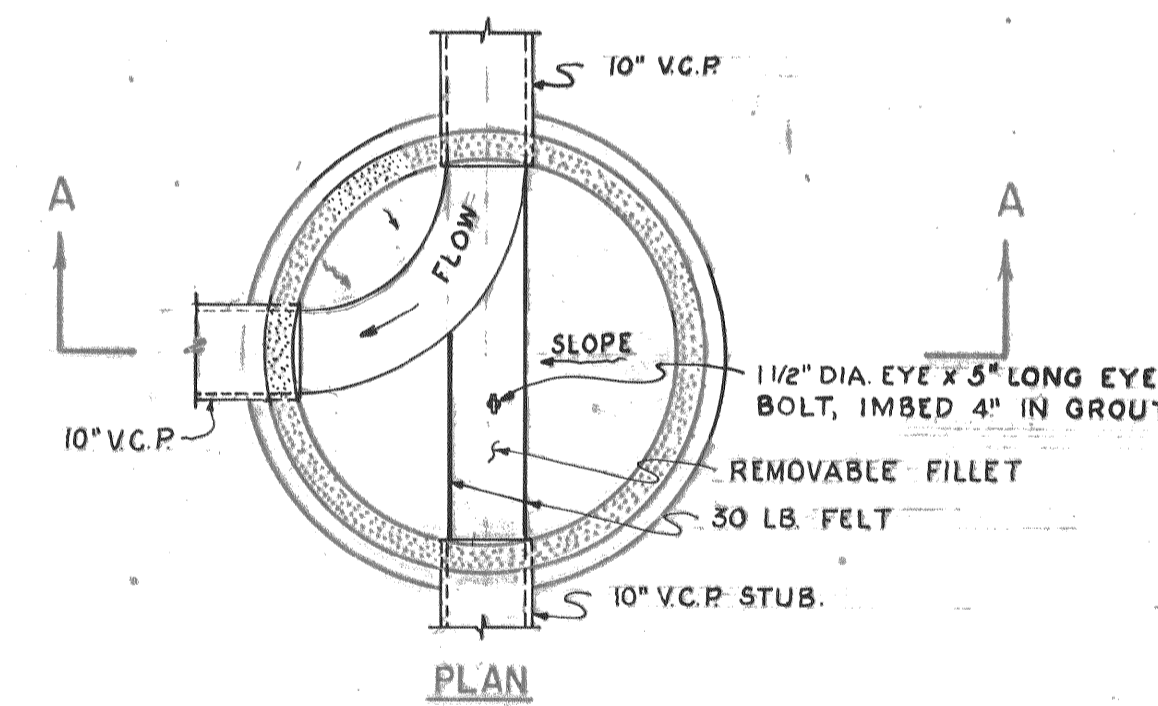
SANITARY SEWER TRENCHING

NO SCALE



FLUSHING BRANCH

SCALE: 1"=1'-0"

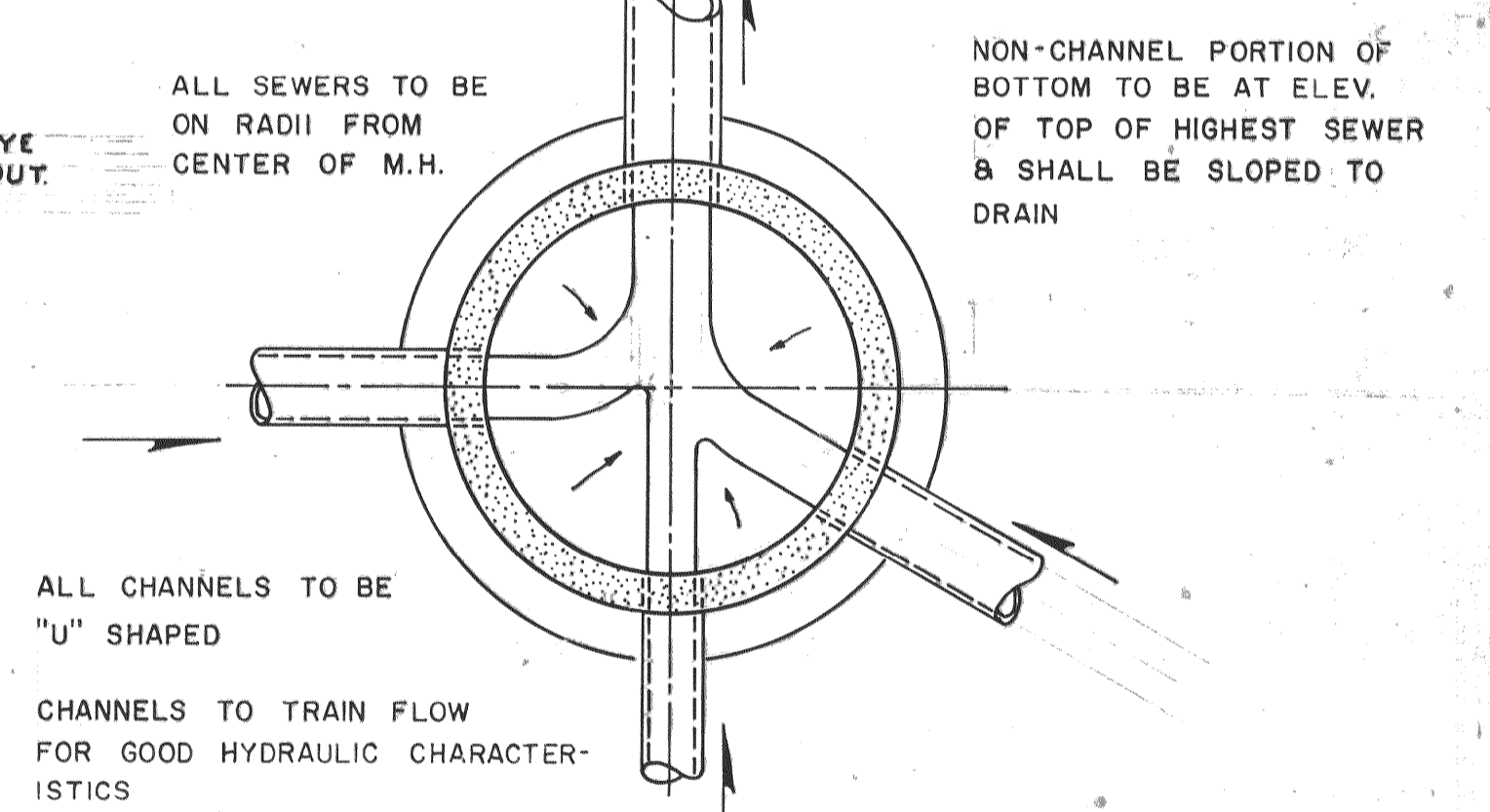


PLAN

SPECIAL MANHOLE AT STA. 0+00

SCALE: 1/2"=1'-0"

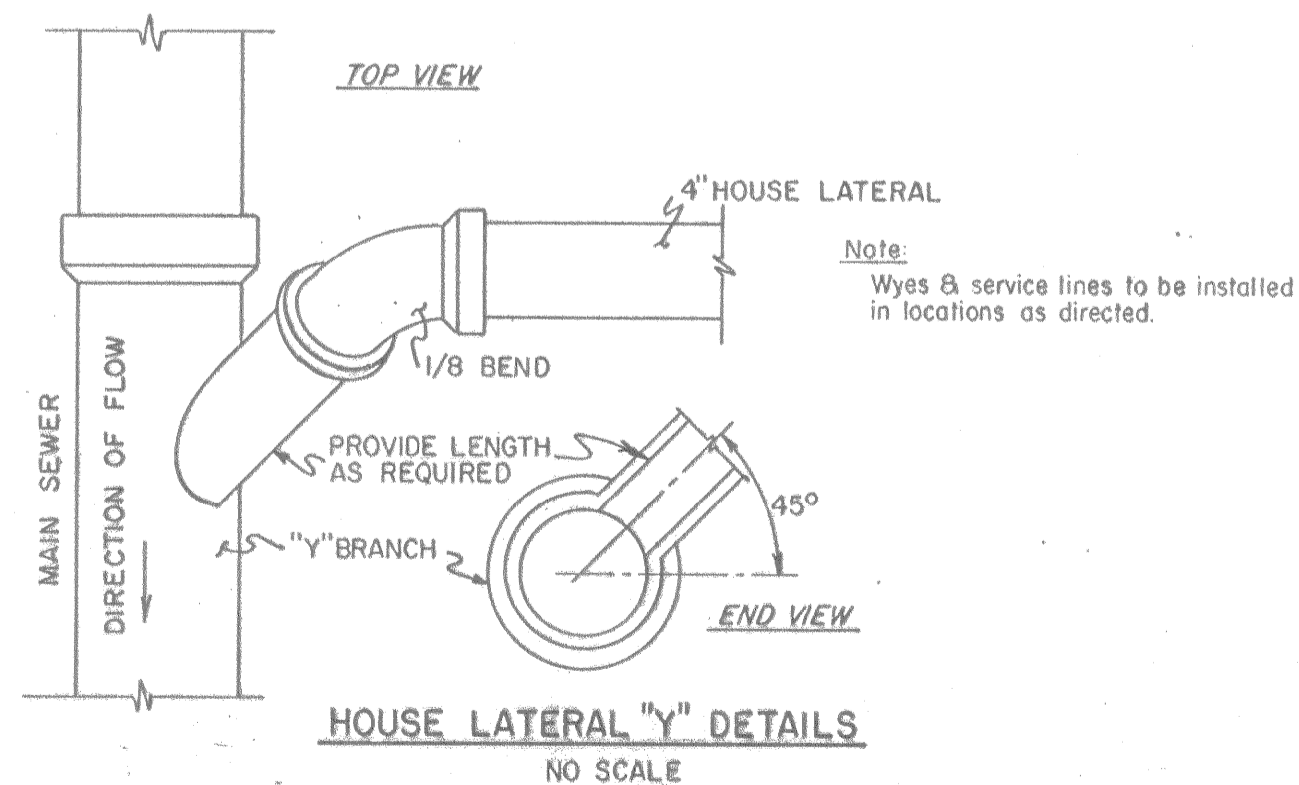
NOTE: REMOVABLE FILLET TO BE CONSTRUCTED 2 DAYS AFTER MAIN CHANNEL. A PIECE OF 30 LB. ROOFING FELT, OR EQUIVALENT, IS TO BE USED BETWEEN MAIN CHANNEL AND FILLET SO THAT BOND WILL BE NON-EXISTENT. FILLET TO BE MADE OF 2 SACK CONCRETE MIX.



COMPOSITE M.H. BOTTOM

SCALE: 1/2"=1'-0"

"AS-BUILT"



HOUSE LATERAL "Y" DETAILS

NO SCALE

Note: Wyes & service lines to be installed in locations as directed.

CITY OF OROVILLE  
OROVILLE, CALIFORNIA  
MUNICIPAL SEWER DISTRICT NO. 1  
SANITARY SEWER PROJECT  
MISCELLANEOUS DETAILS

DEWANTE AND STOWELL  
SANITARY AND CIVIL ENGINEERS - SACRAMENTO, CALIFORNIA

DRAWN: L.R.K. CHECKED: E.R.S. DATE: Mar., 1962

APPROVED: *[Signature]*

SHEET NO. 24 OF 25