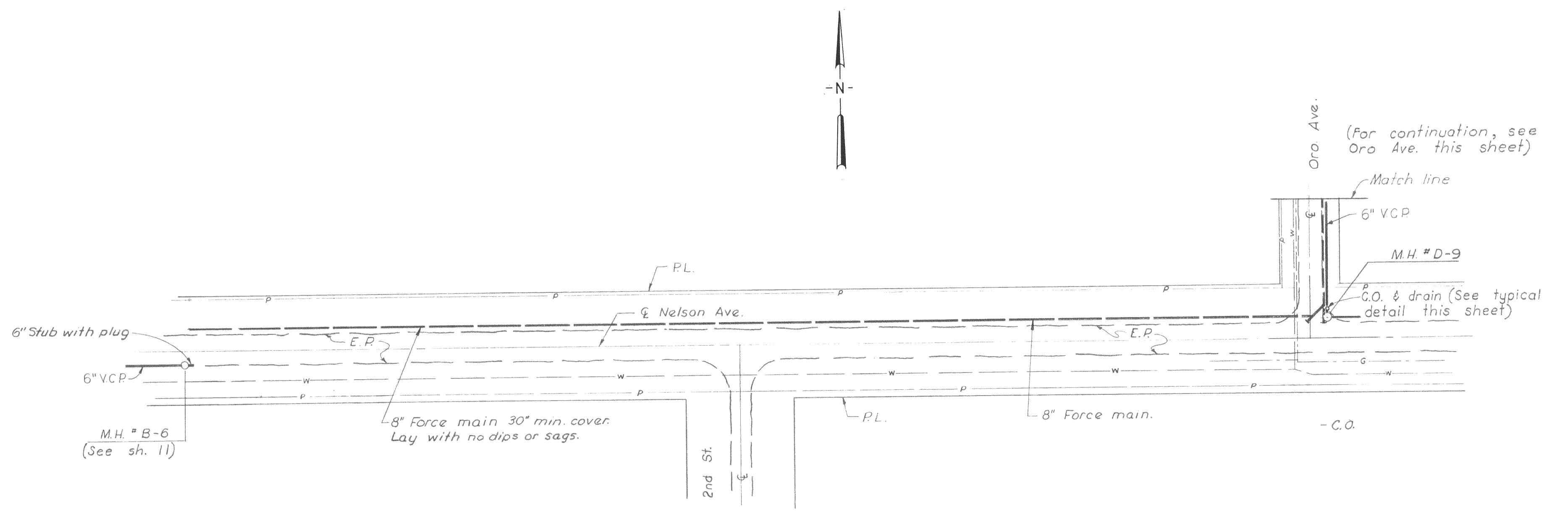
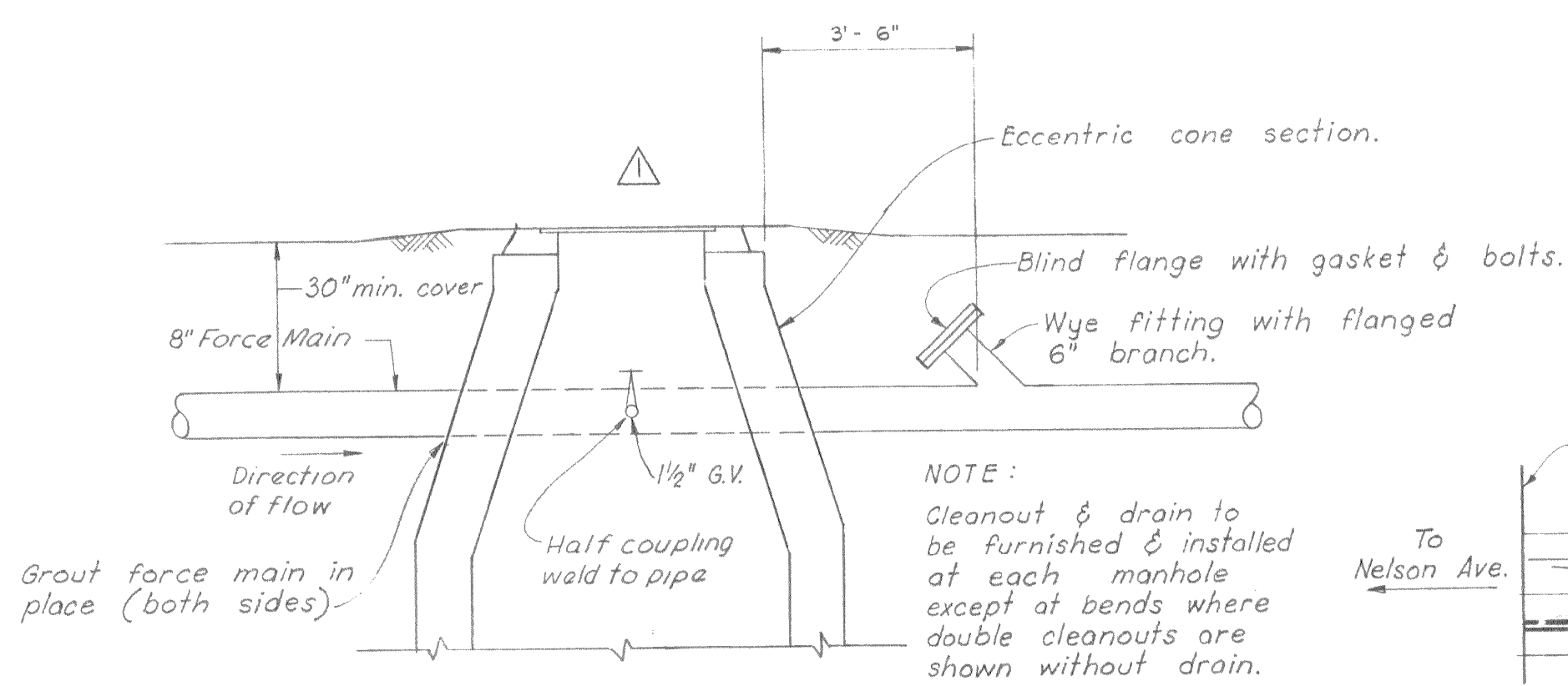
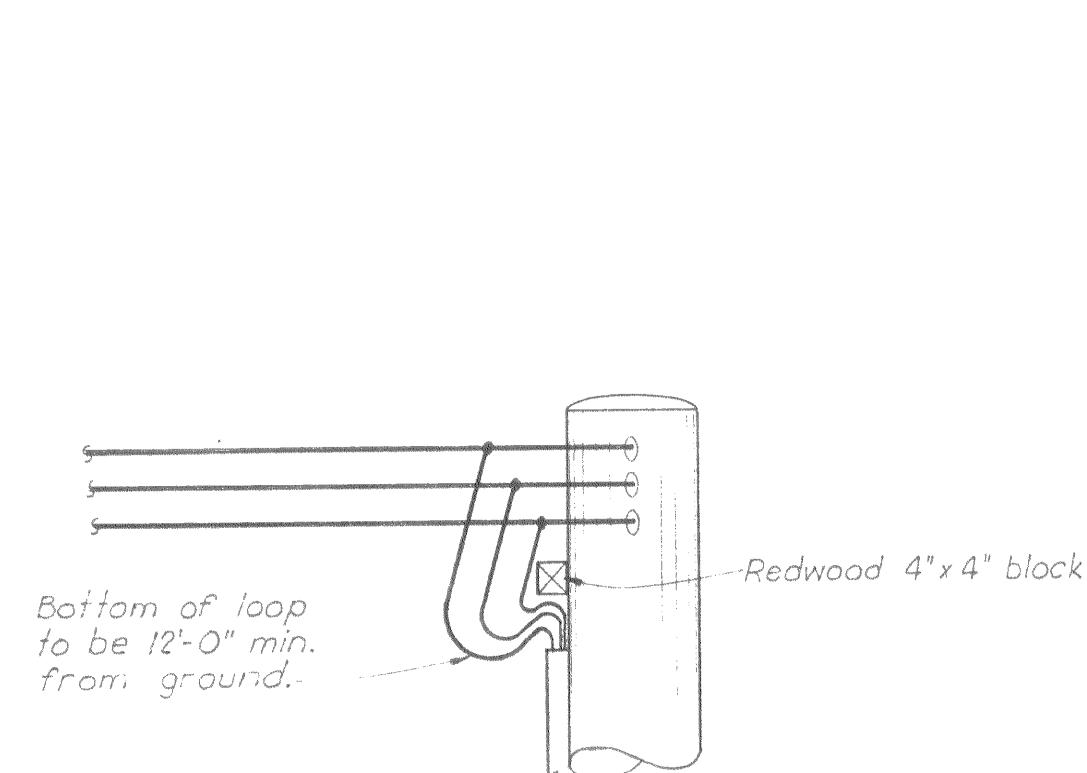


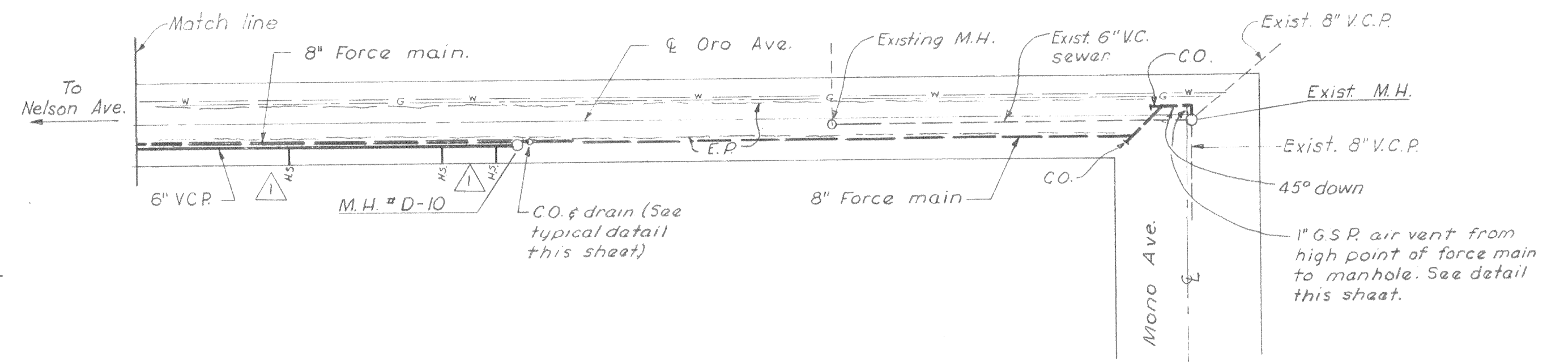
ELECTRICAL DIAGRAM



NELSON AVE
Scale: 1" = 60'

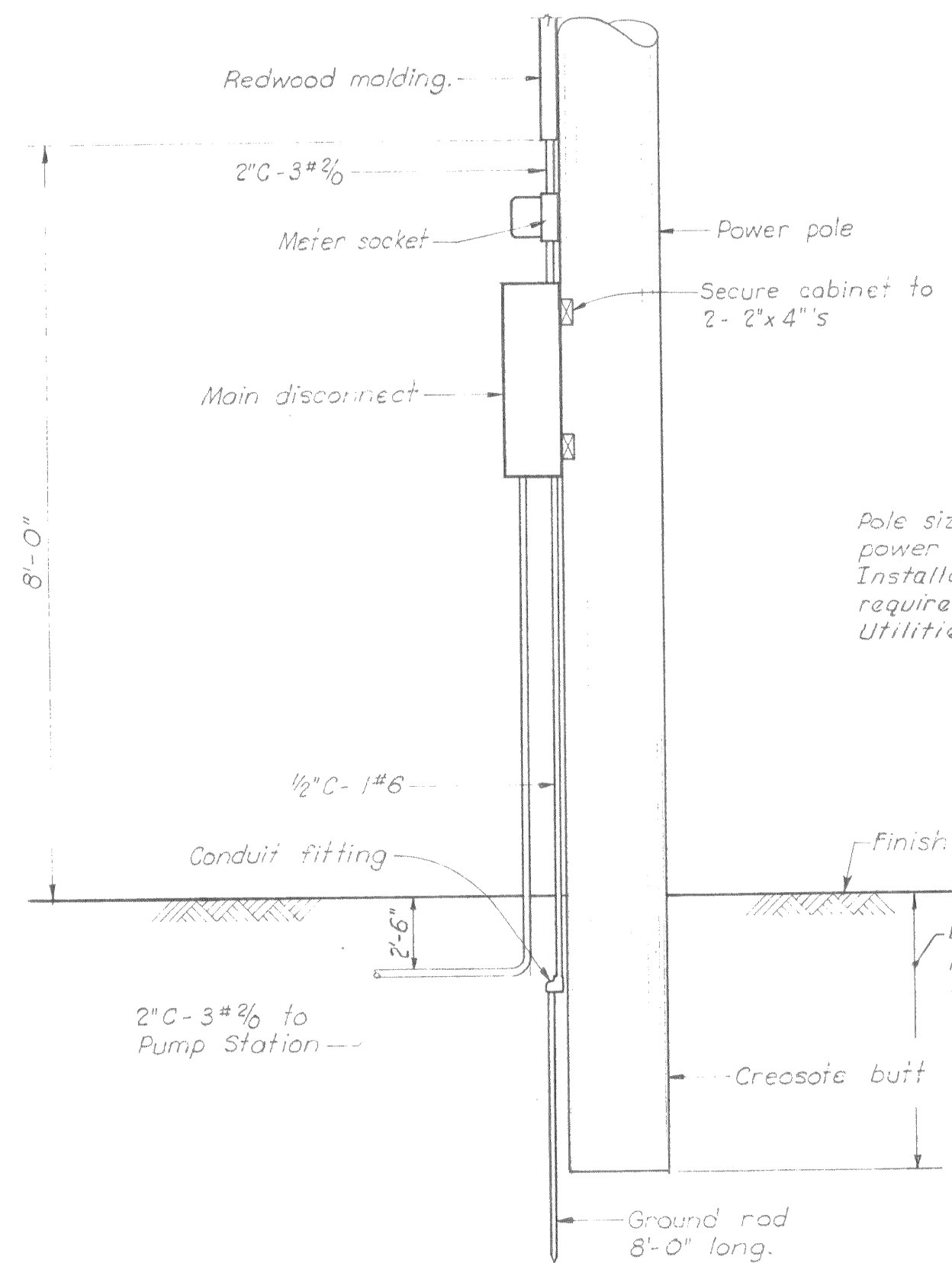


CLEANOUT & DRAIN DETAIL
NO SCALE

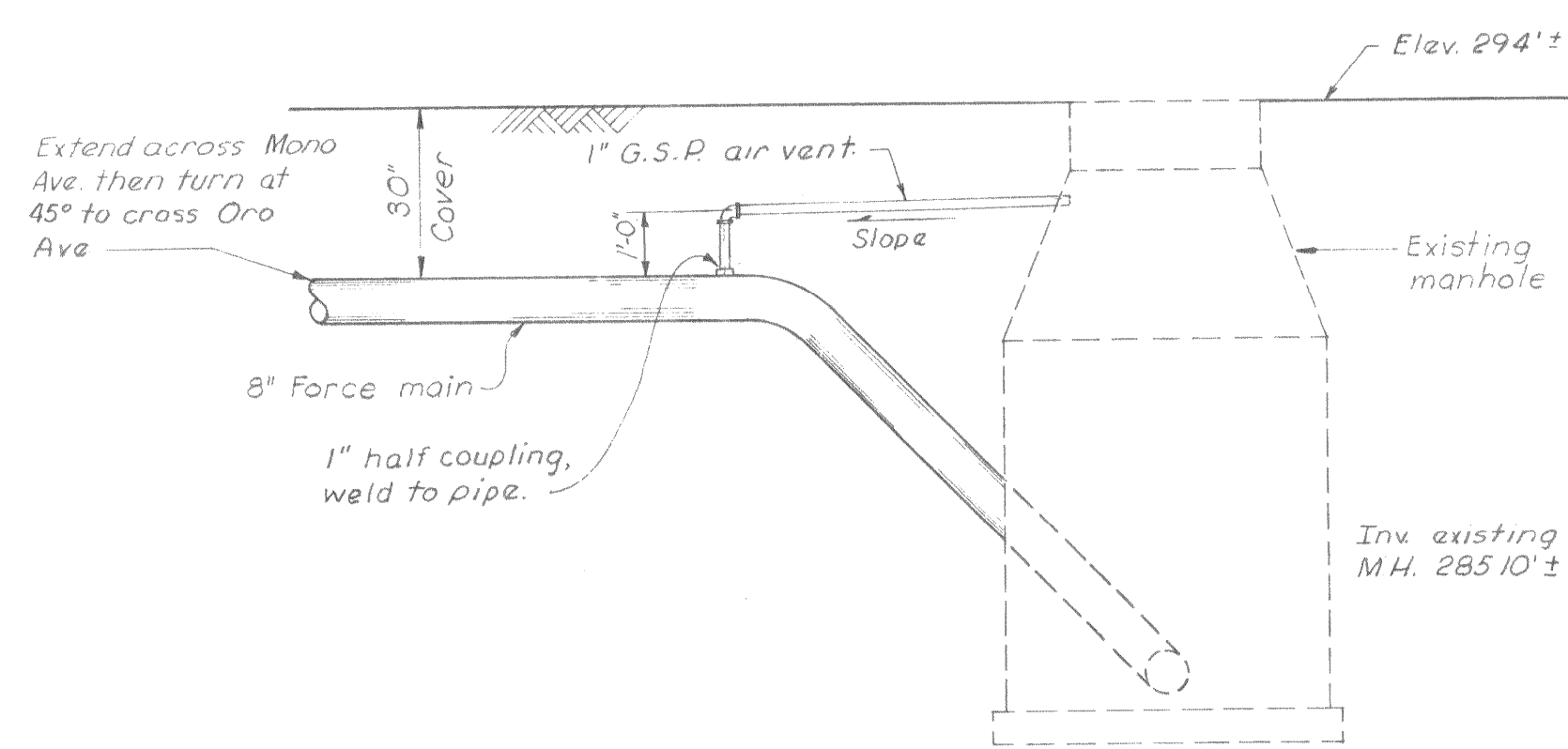


ORO AVE
Scale: 1" = 60'

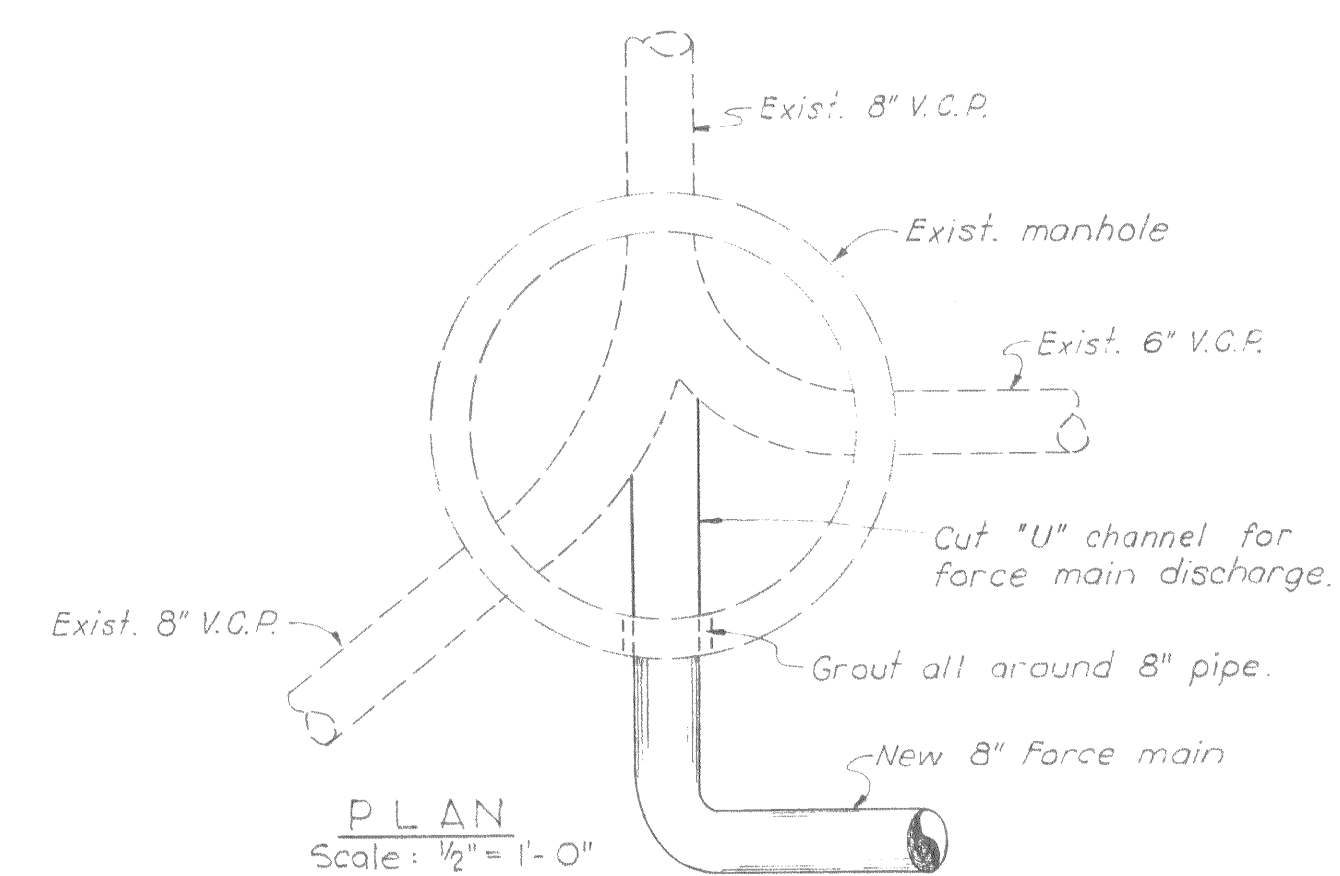
Note: Cleanouts in force main to consist of wye fitting with flange & blind flanged bolted in place with gasket & all flange bolts.



SERVICE POLE & EQUIPMENT
Scale: None



ELEVATION
Scale: 3/8" = 1'-0"
FORCE MAIN DISCHARGE



PLAN
Scale: 1/2" = 1'-0"

PLANS OF FORCE MAIN

"AS - BUILT"

REVISION	DATE	DESCRIPTION	BY:	APPD:
△ A.B.		Relocated force main outside of manhole.	H.H.	E.R.S.

CITY OF OROVILLE
OROVILLE, CALIFORNIA
MUNICIPAL SEWER DISTRICT NO. 1
SANITARY SEWER PROJECT
ELECTRICAL AND
FORCE MAIN PLANS

DEWANTE AND STOWELL
SANITARY AND CIVIL ENGINEERS - SACRAMENTO, CALIFORNIA

DRAWN: R.B.H.H. SUBMITTED: Edwin R. Stowell
CHECKED: E.R.S. APPROVED: R.M. Carpenter
DATE: Mar, 1962

SHEET NO. 23 OF 25