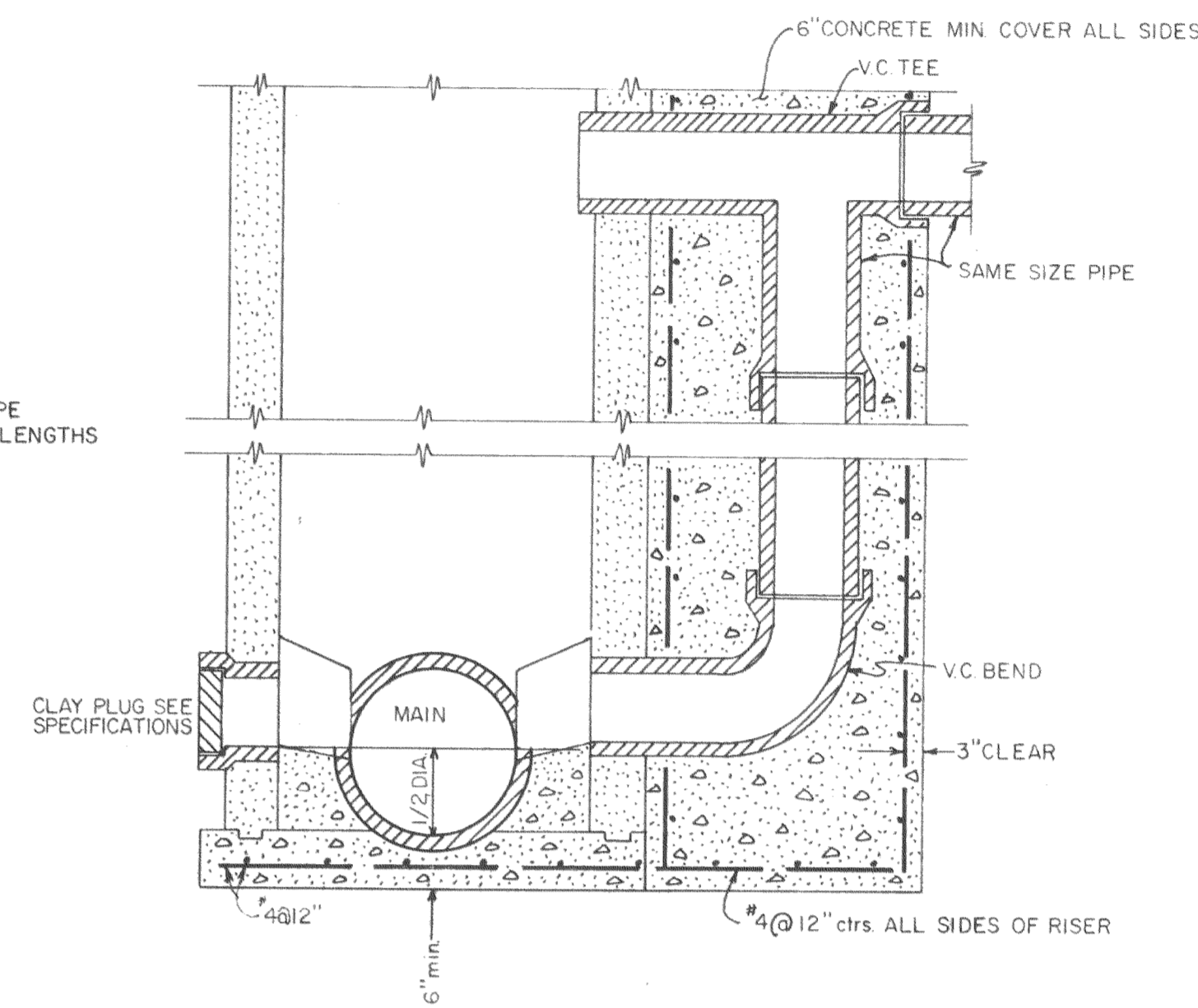


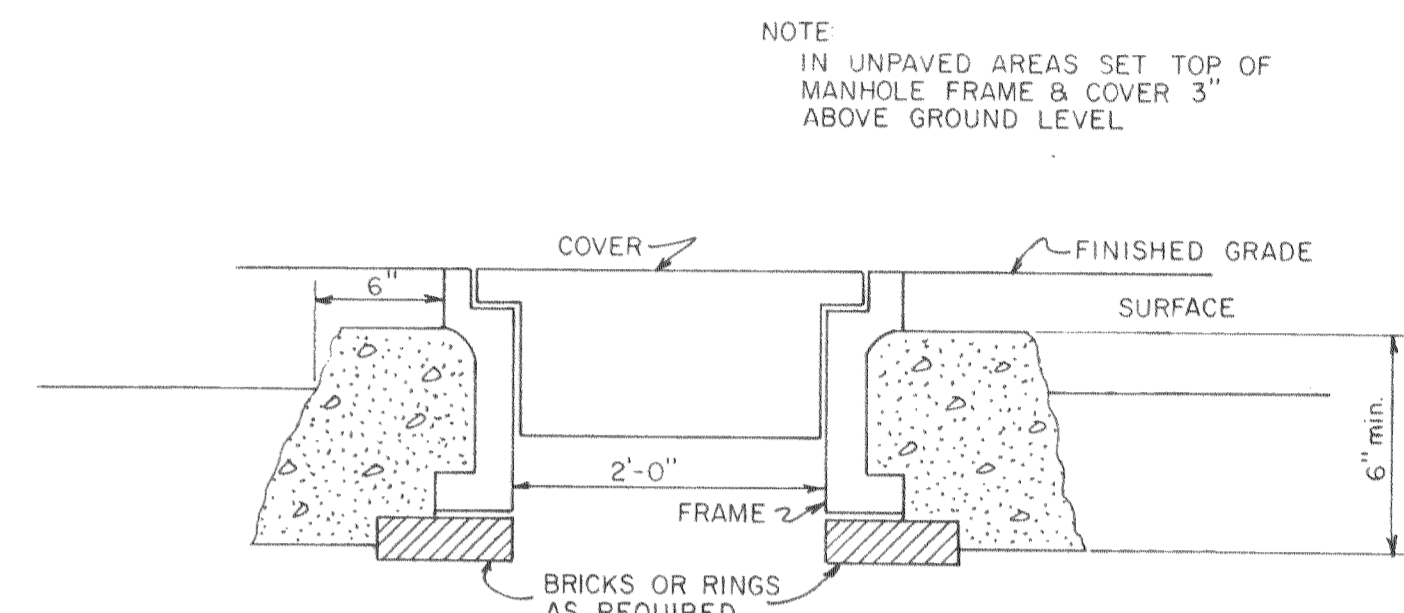
STANDARD MANHOLES PRECAST CONCRETE OR BRICK

NO SCALE



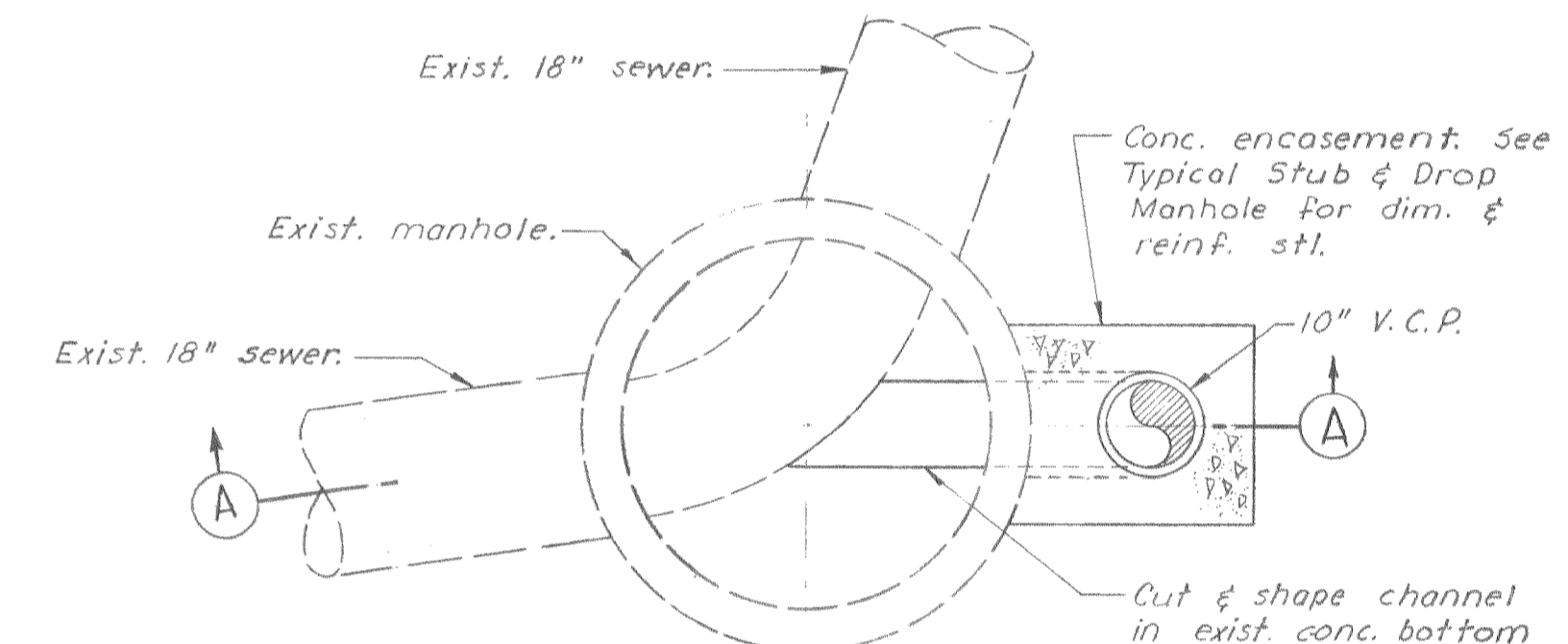
TYPICAL STUB & DROP MANHOLE

NO SCALE

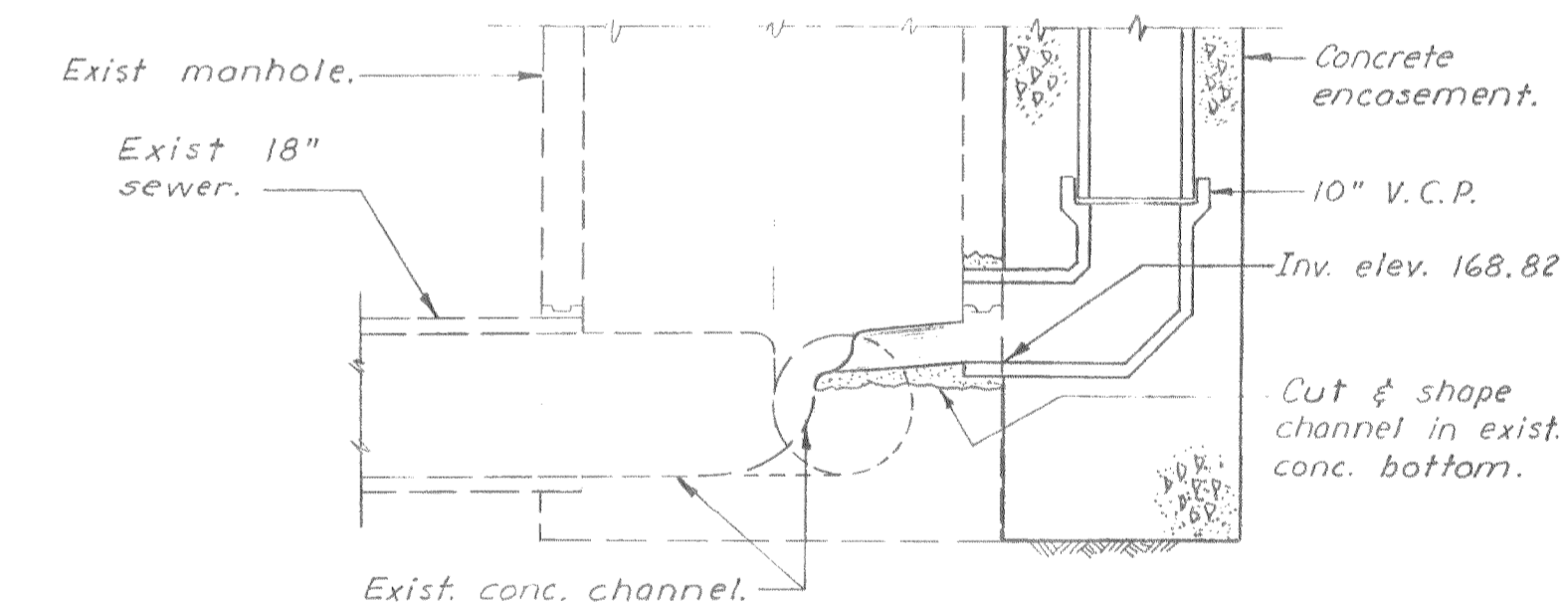


METHOD OF SETTING MANHOLE RING & COVER

NO SCALE



PLAN

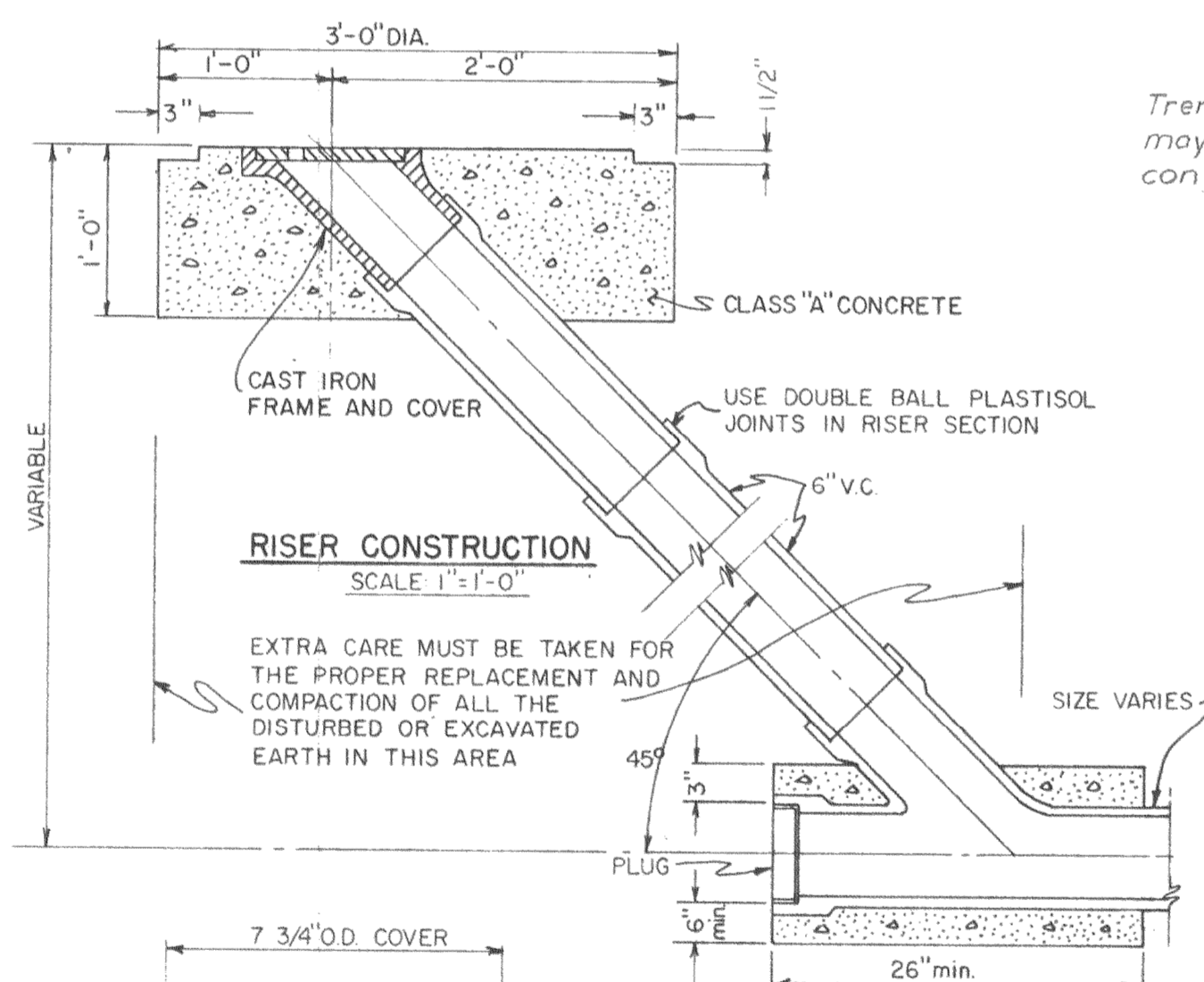
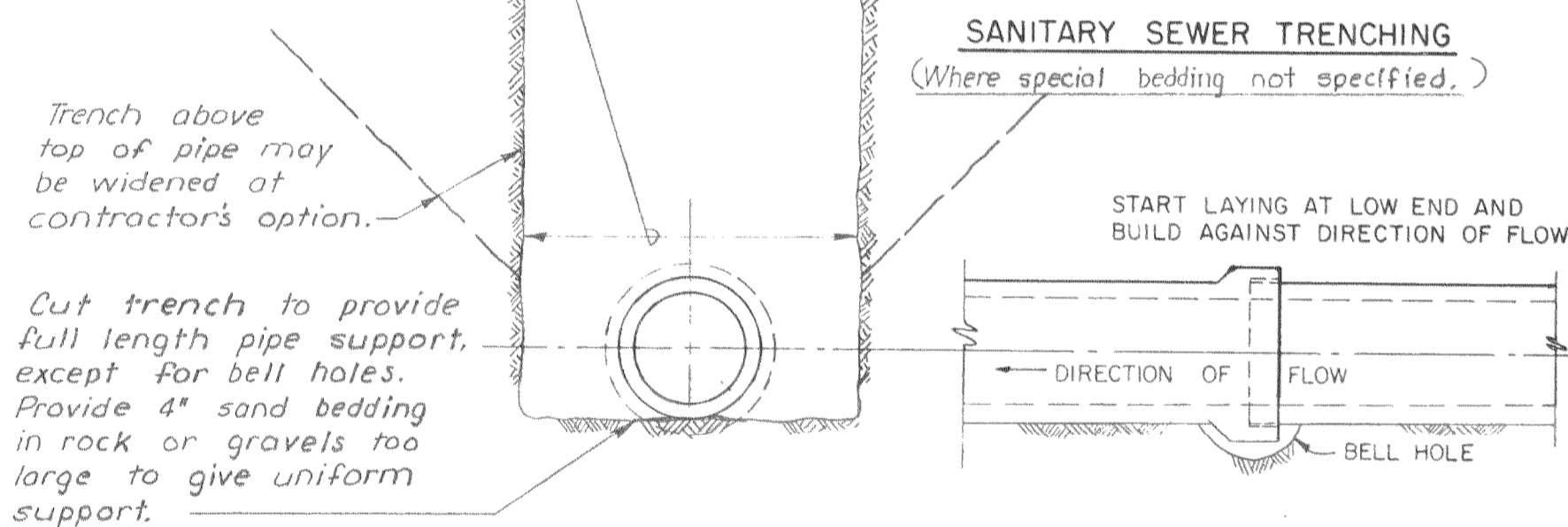


SECTION A

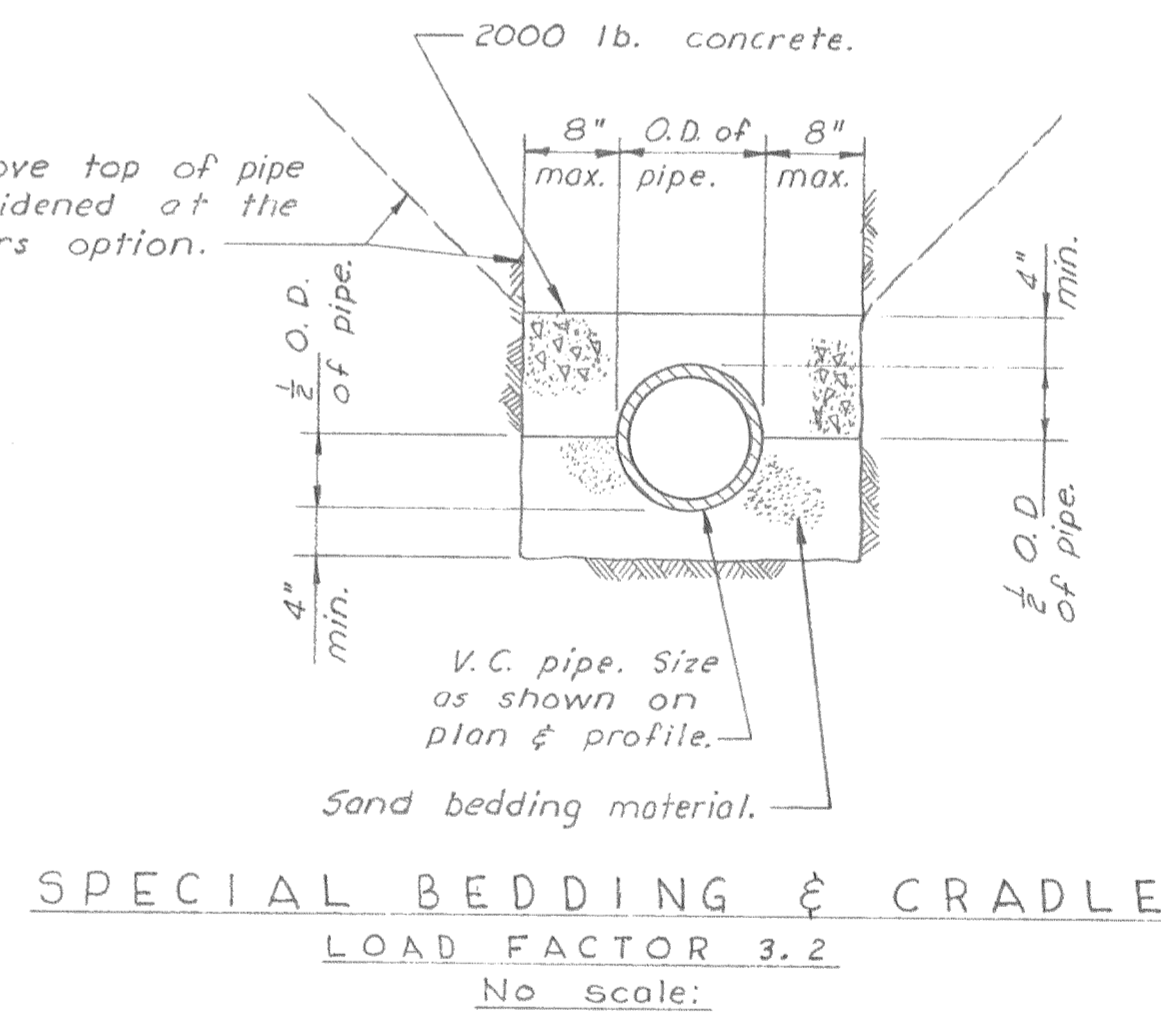
MODIFICATION EXISTING MANHOLE

SCALE: 1/2"=1'-0"

Width of trench @ top of pipe shall not exceed the pipe O.D. plus 16"

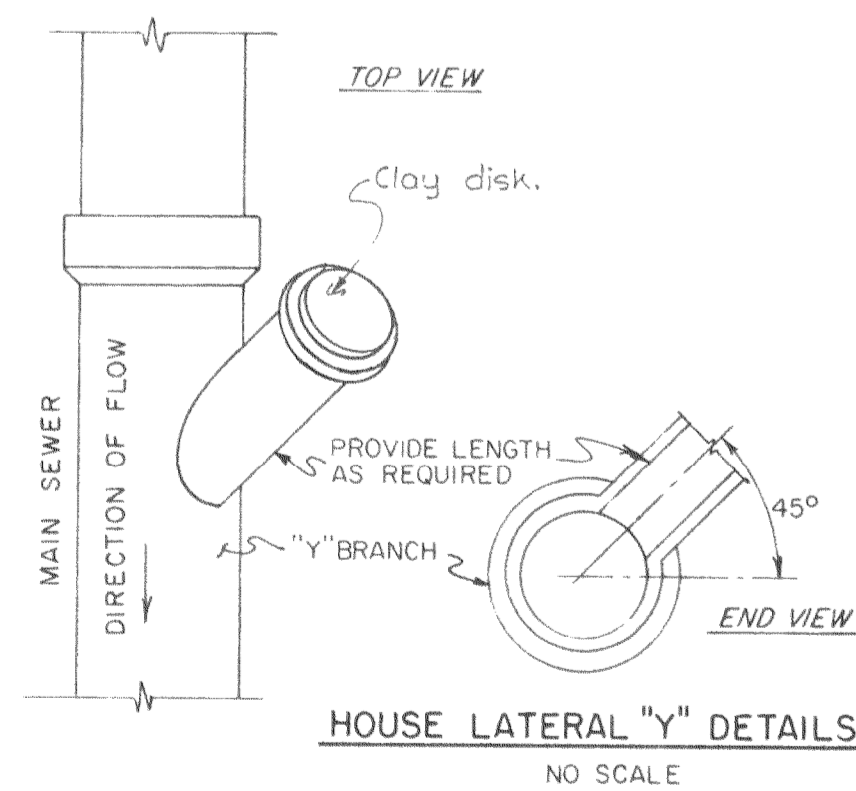


Trench above top of pipe may be widened at the contractor's option.

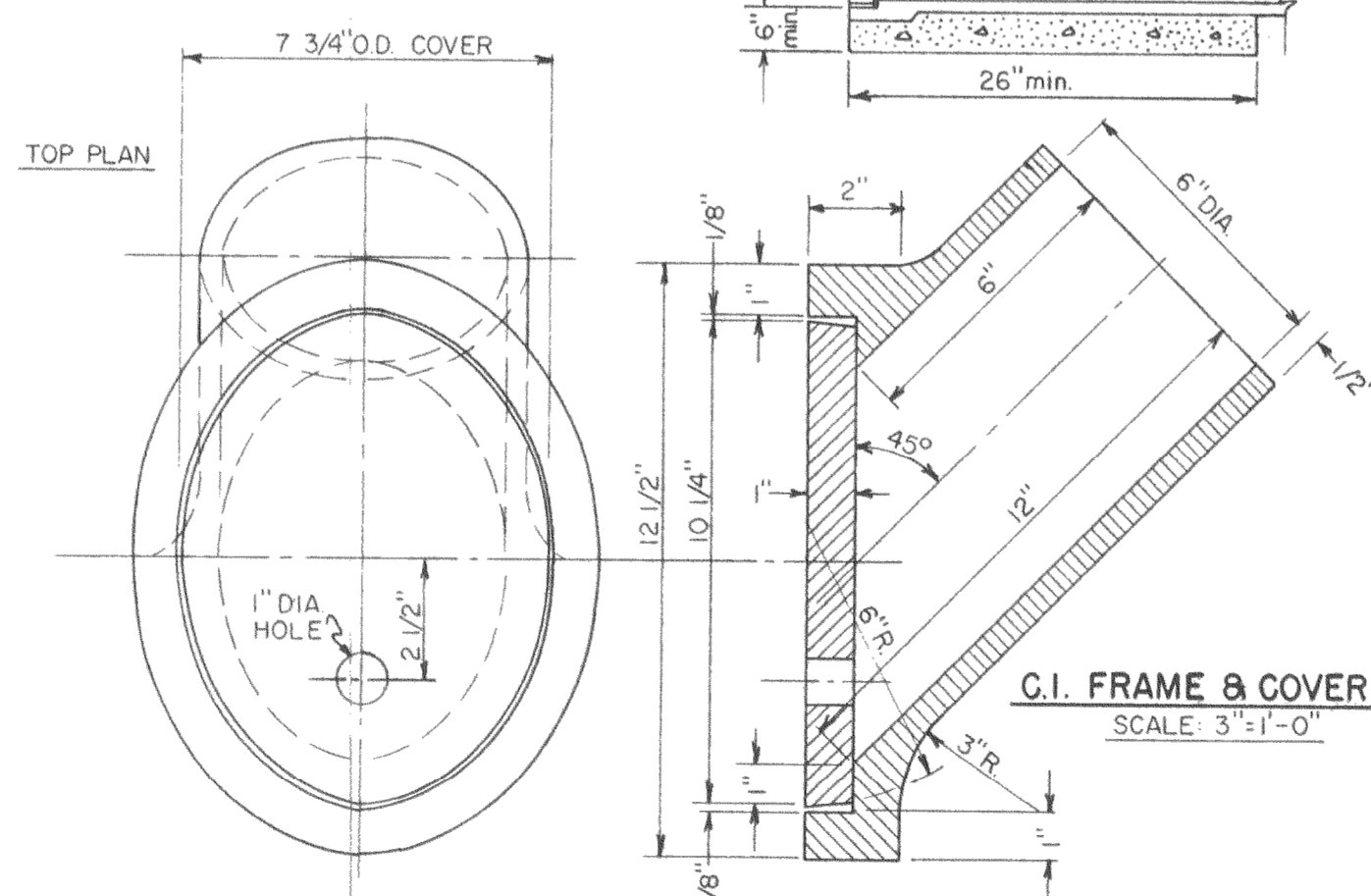


SPECIAL BEDDING & CRADLE

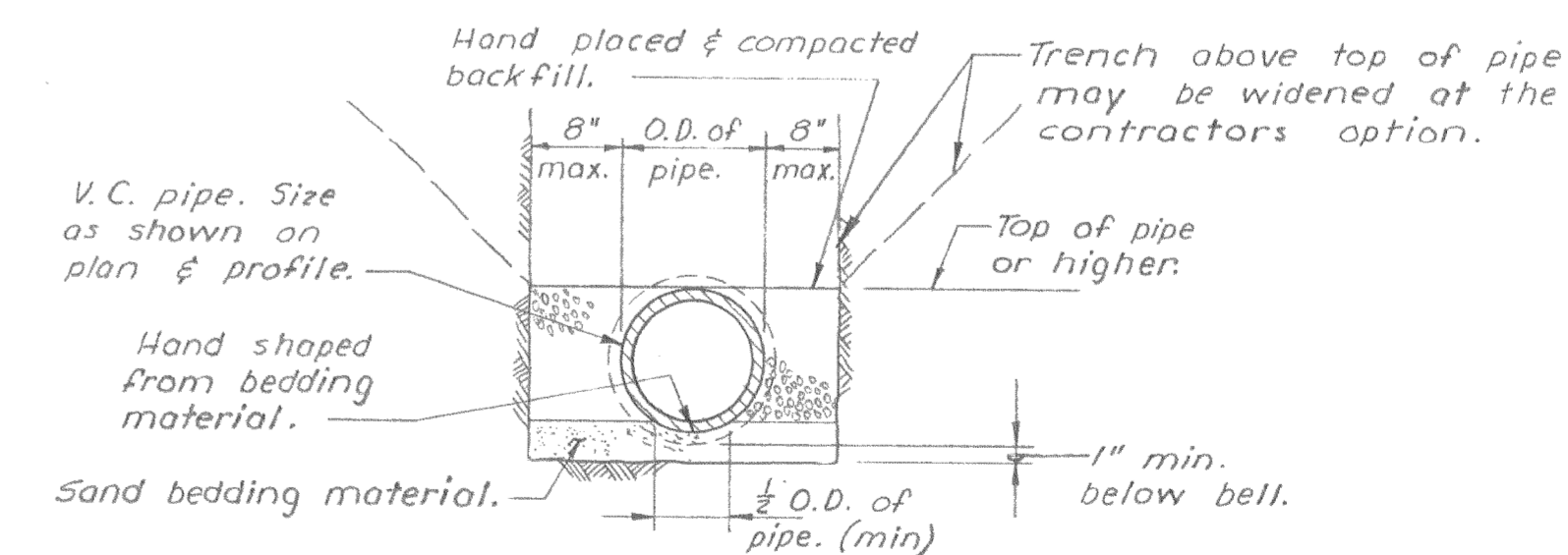
LOAD FACTOR 3.2
No scale:



Note: Wyes to be installed in locations as directed.



CITY OF OROVILLE STANDARD S 28
CLEANOUT DETAILS



SPECIAL BEDDING

LOAD FACTOR 1.5
No scale:

CITY OF OROVILLE
BUTTE COUNTY, CALIFORNIA
OROVILLE INDUSTRIAL TRACT, INC.
SANITARY SEWER PROJECT
MISCELLANEOUS DETAILS

DEWANTE AND STOWELL
SANITARY AND CIVIL ENGINEERS - SACRAMENTO, CALIFORNIA
DRAWN: G.C.J. SUBMITTED: [Signature]
CHECKED: E.R.S. APPROVED: [Signature]
DATE: APRIL 1961 SHEET NO. 5 OF 5