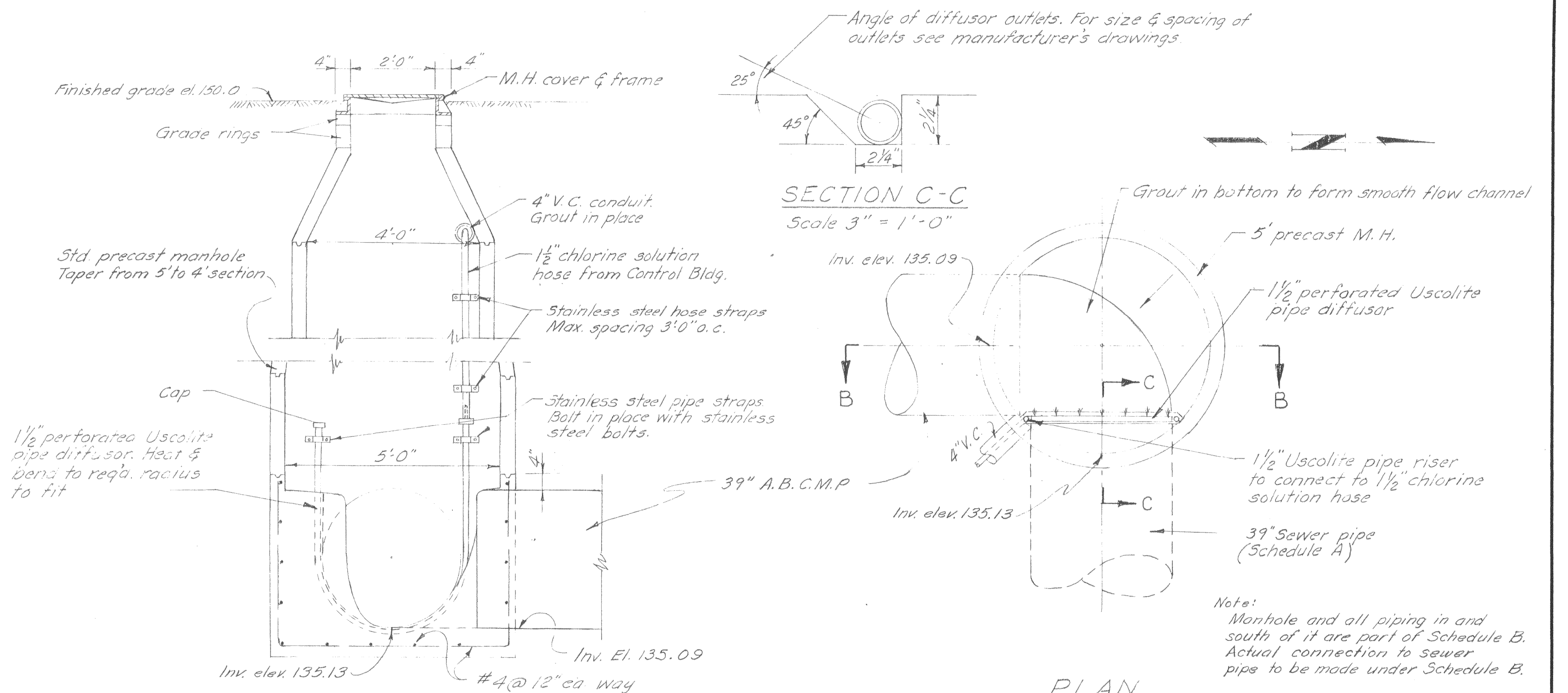


ELEVATION SECTION A-A

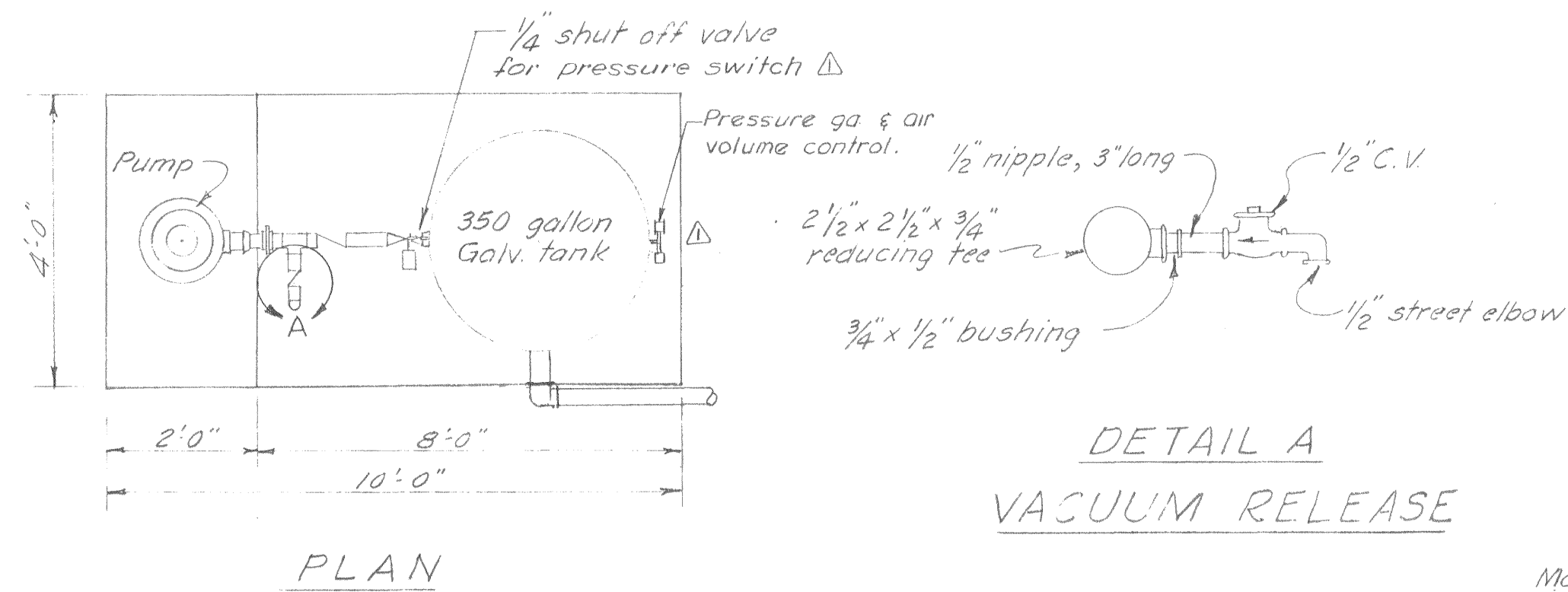
WASTE GAS BURNER DETAILS
Scale 1/2" = 1'-0"



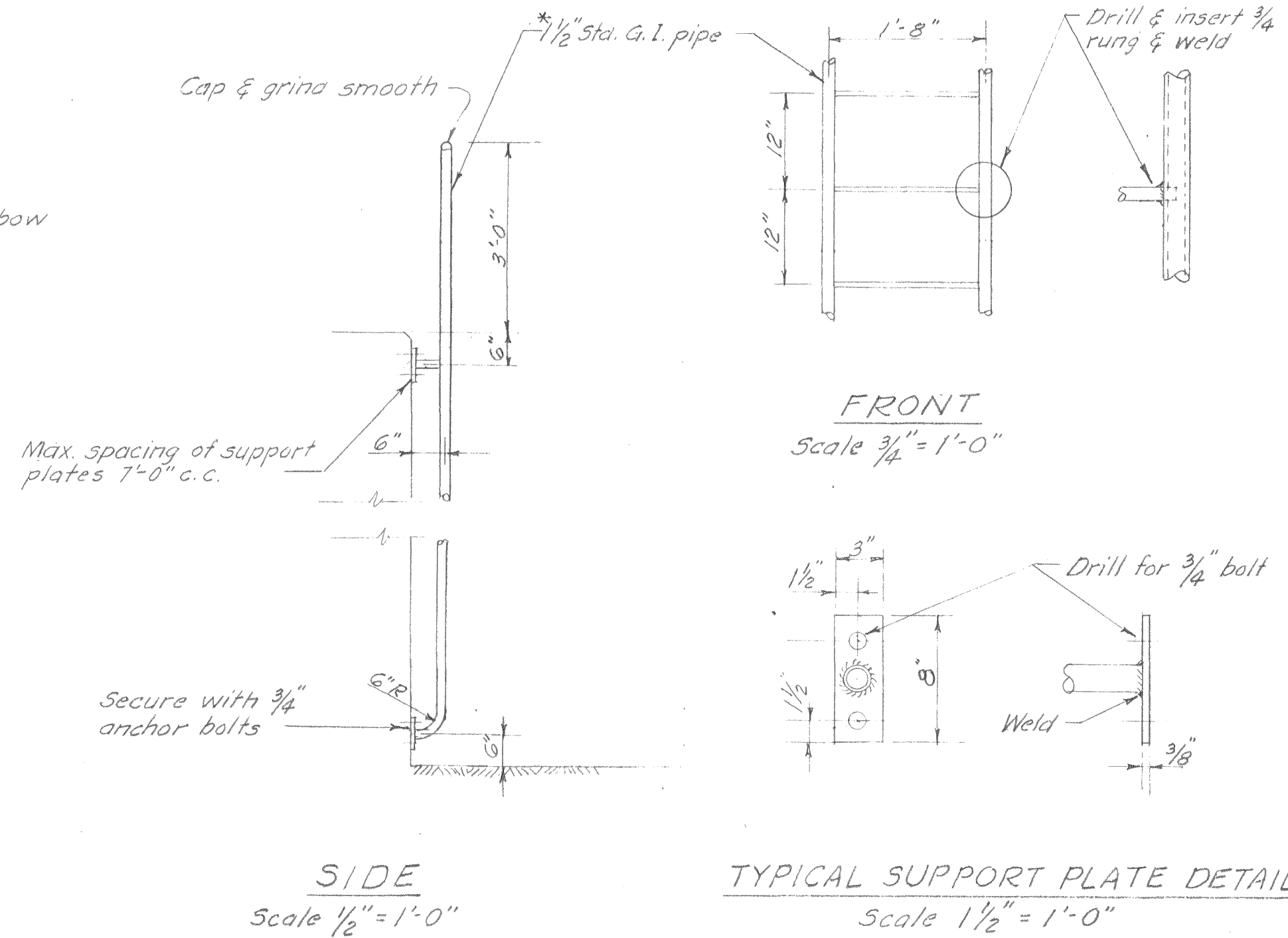
SECTION B-B
Scale 1/2" = 1'-0"

PLAN
Scale 1/2" = 1'-0"

CHLORINE INJECTOR MANHOLE

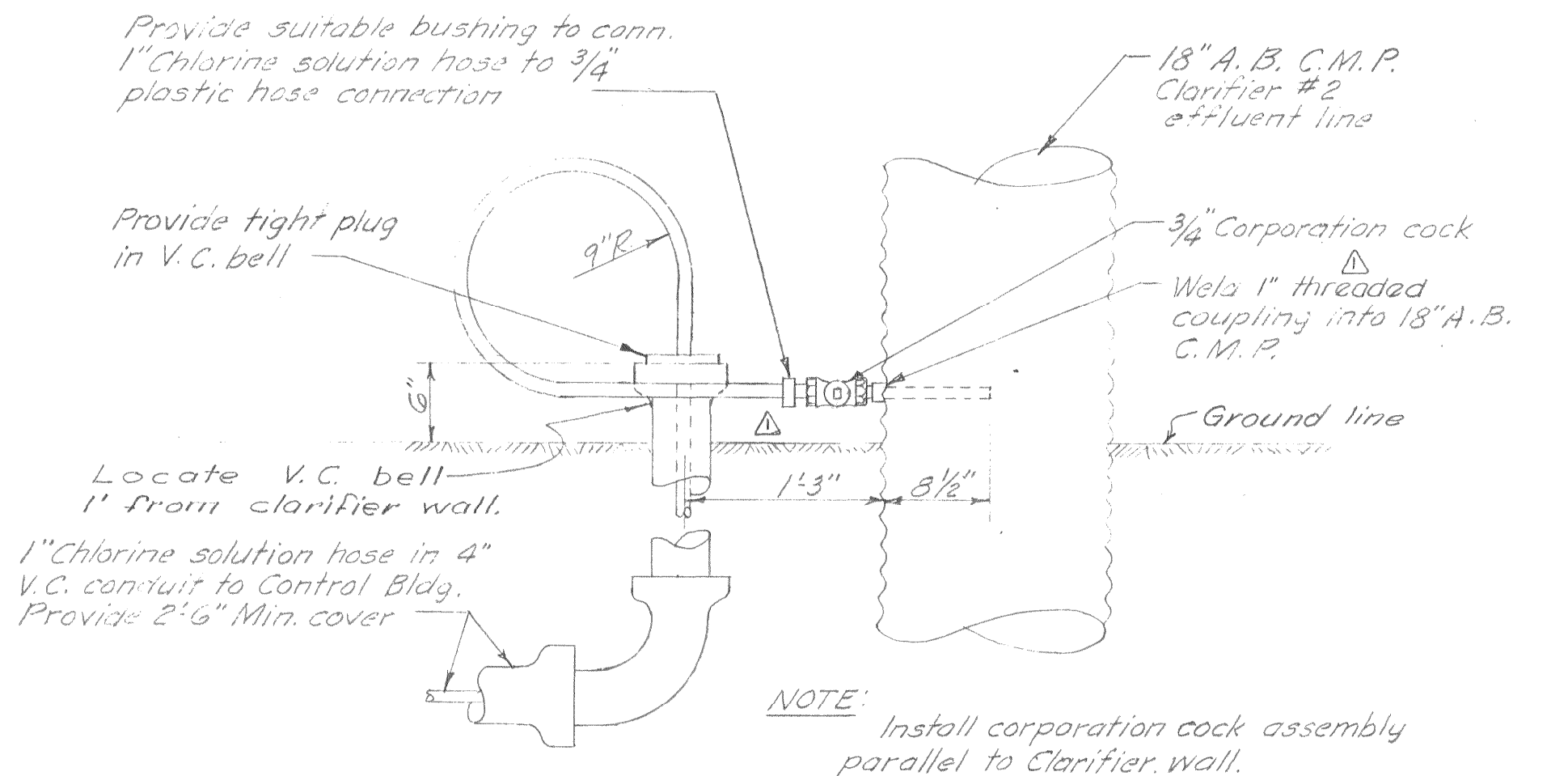


DETAIL A
VACUUM RELEASE

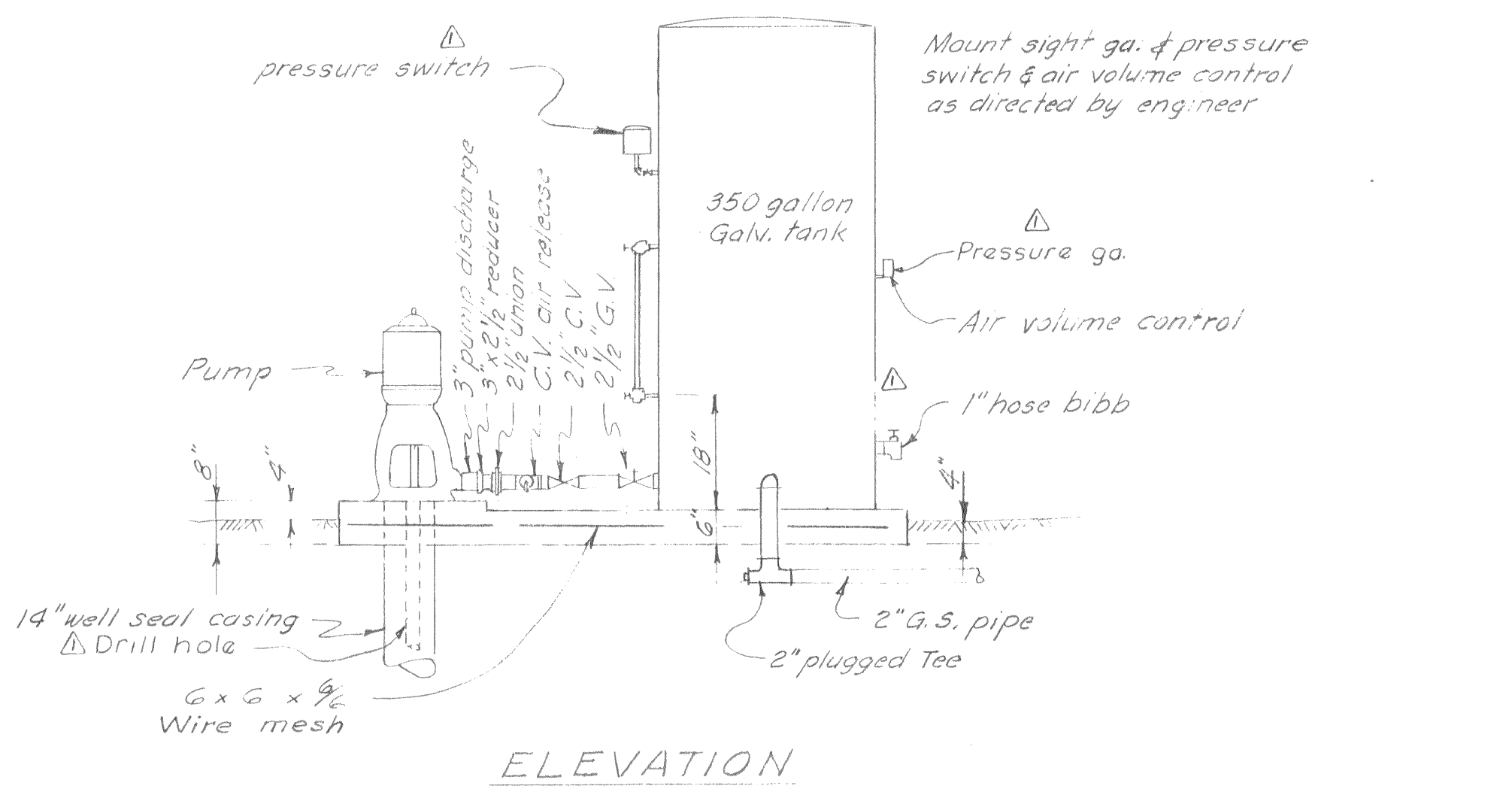


FRONT SCALE 3/4" = 1'-0"
SIDE SCALE 1/2" = 1'-0"
TYPICAL SUPPORT PLATE DETAIL
Scale 1 1/2" = 1'-0"

* LADDER DETAILS



CHLORINE INJECTOR AT CLARIFIER
Scale 1" = 1'-0"



ELEVATION
WATER SUPPLY SYSTEM
No Scale

AS BUILT

REVISION	DATE	DESCRIPTION	BY	APP
Δ A.B.	5-1-61	Relocated pressure gauge, air volume control & added 1" coupling	R.A.B.	P.N.D.
CITY OF OROVILLE BUTTE COUNTY, CALIFORNIA SEWAGE TREATMENT PLANT SPECIAL DETAILS				
DEWANTE AND STOWELL SANITARY AND CIVIL ENGINEERS—SACRAMENTO, CALIFORNIA				
DRAWN: G.L.	CHECKED: R.H.D.	DATE: Mar. 1959	APPROVED: <i>[Signature]</i>	SHEET NO. 33 OF 36