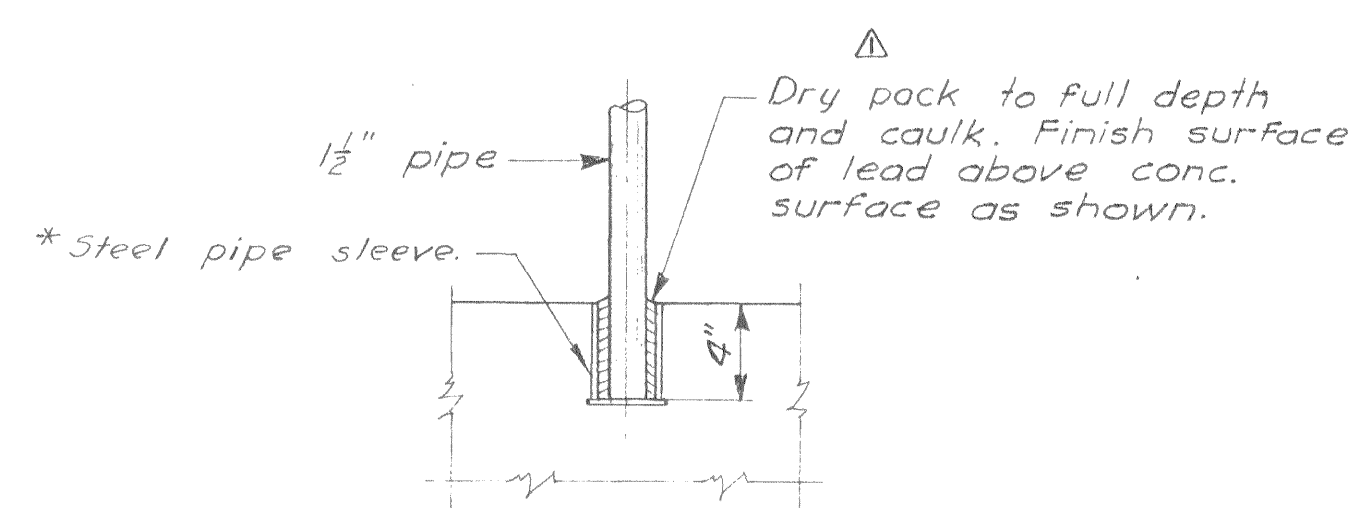
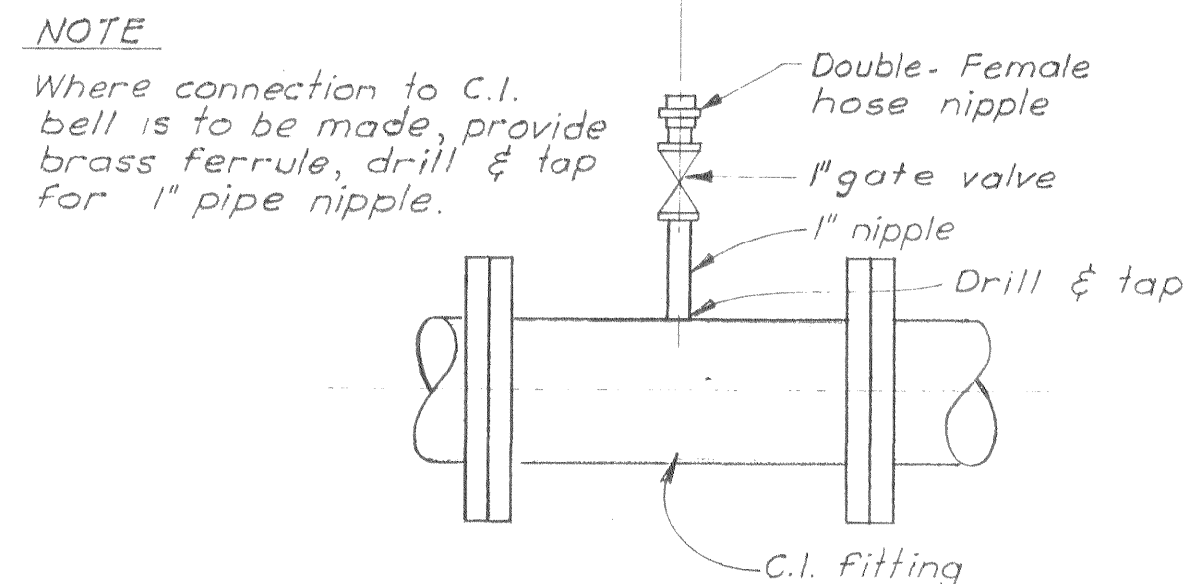


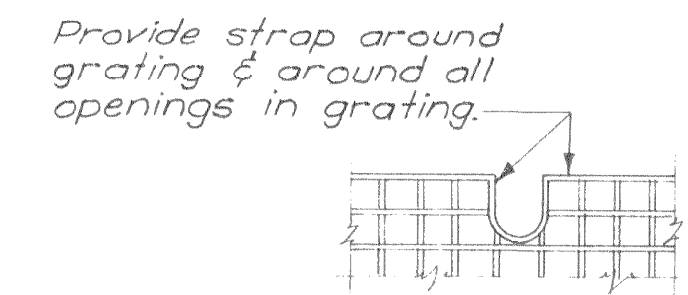
*** LIFTING LOOP DETAIL**
Not to Scale



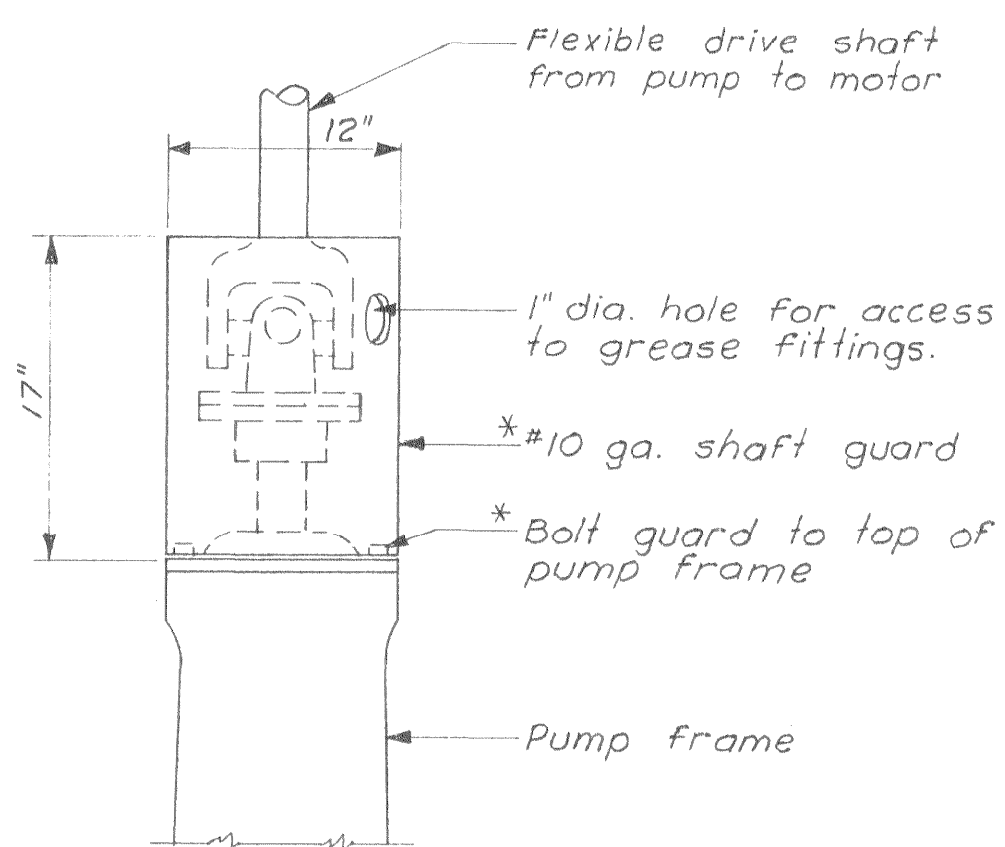
RAILING POST CONNECTION
Not to Scale



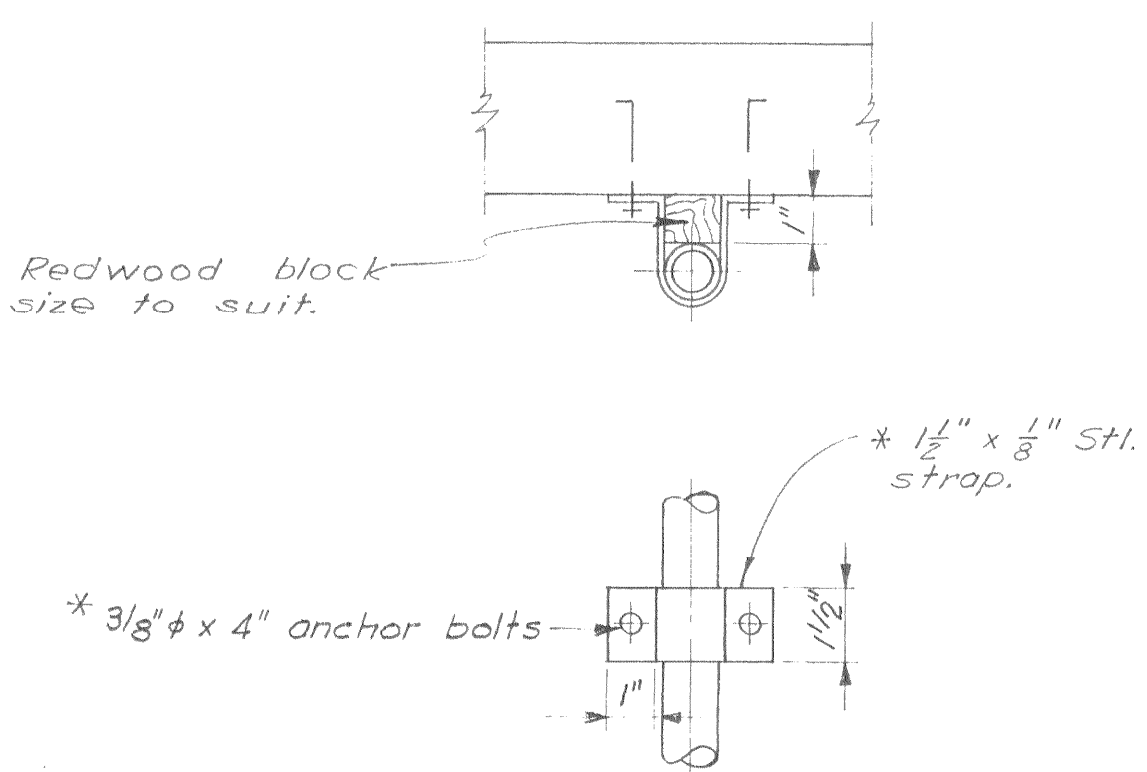
FLUSHING CONNECTION
Not to Scale



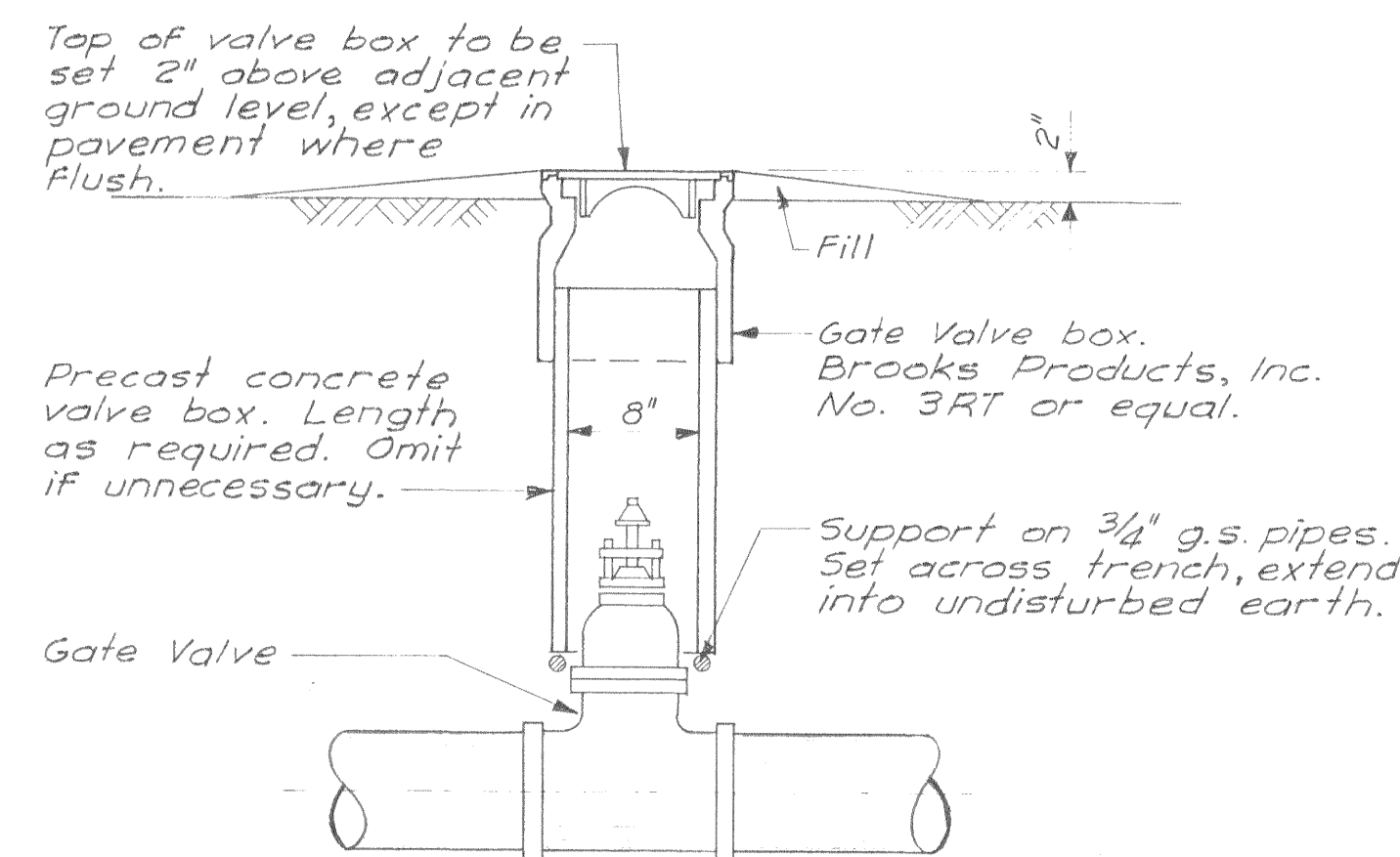
*** GRATING STRAP**
Not to Scale



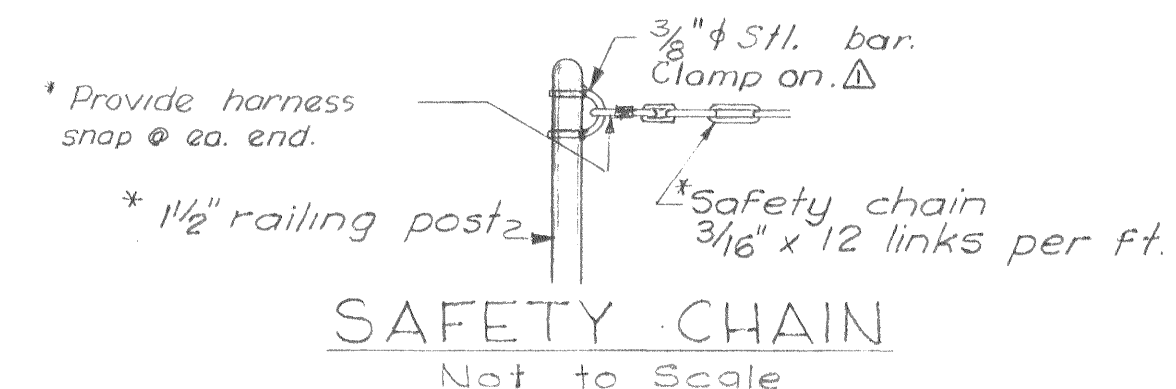
*** SHAFT GUARD DETAIL**
Not to Scale



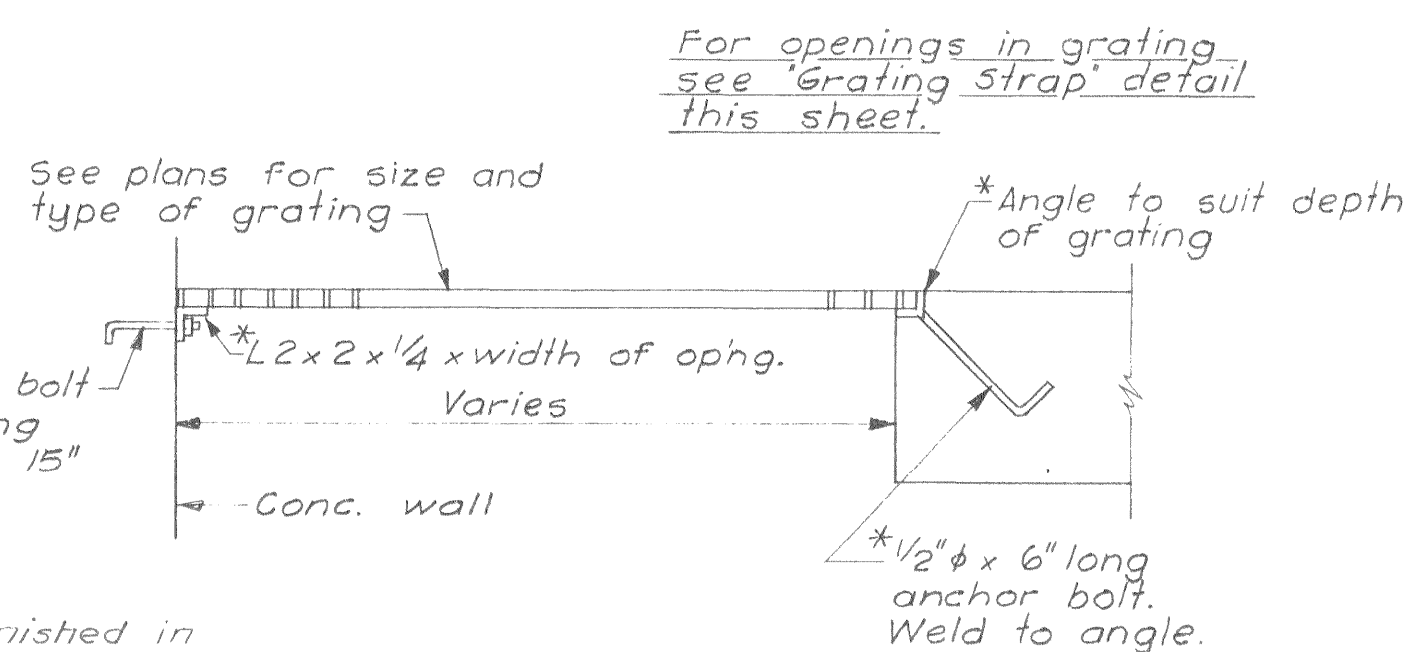
*** PIPE STRAP**
Not to Scale



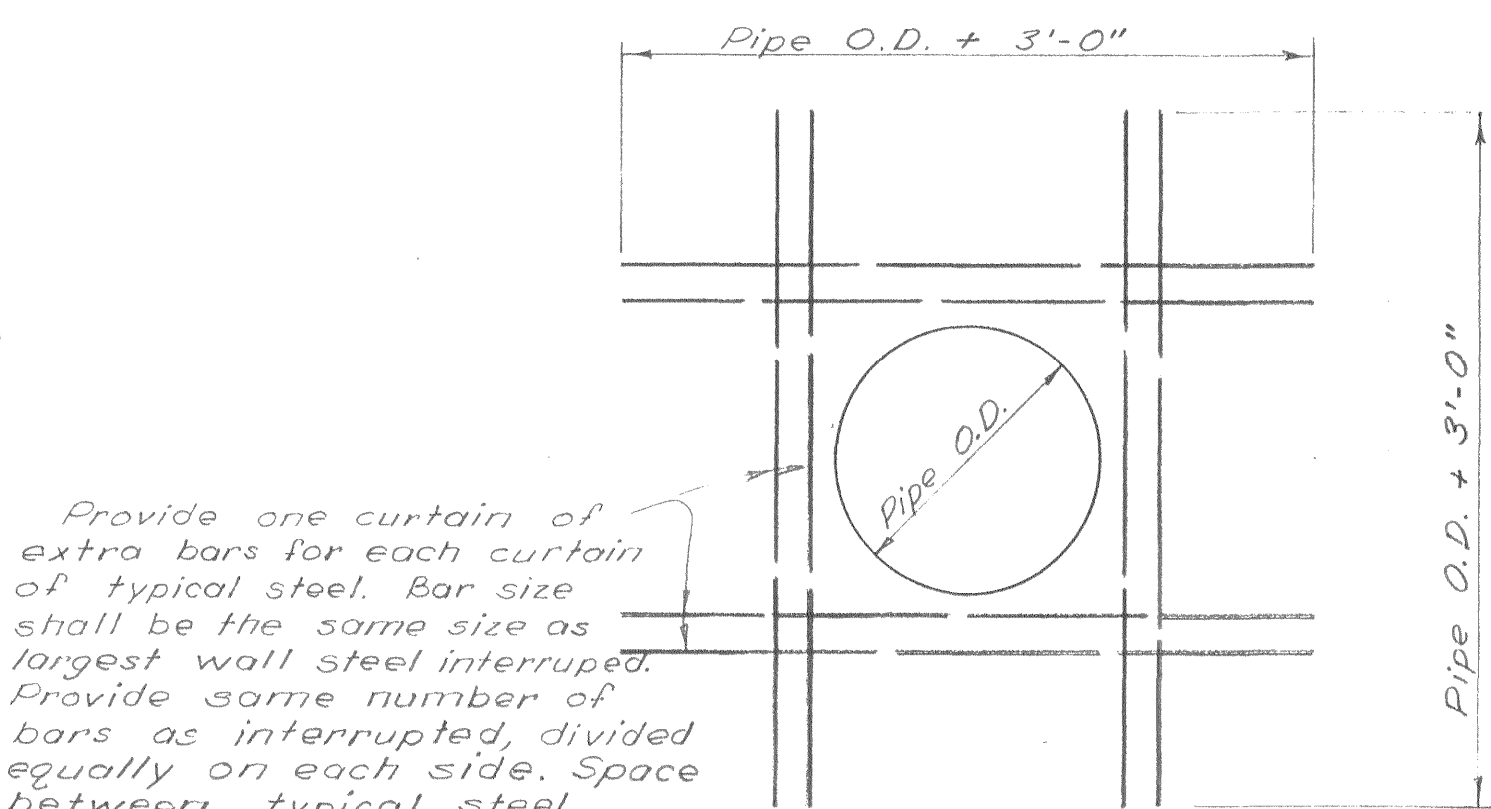
VALVE BOX
Not to Scale



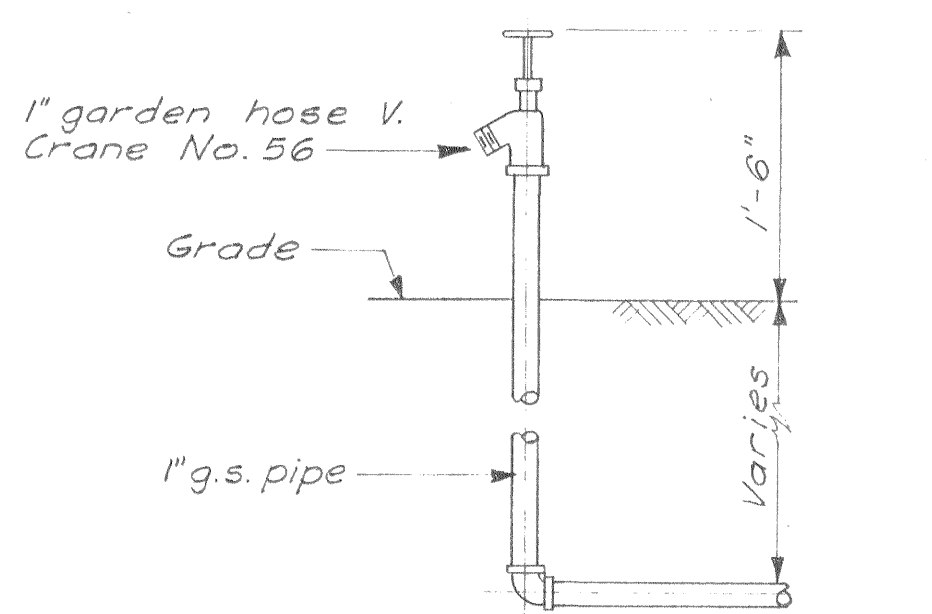
SAFETY CHAIN
Not to Scale



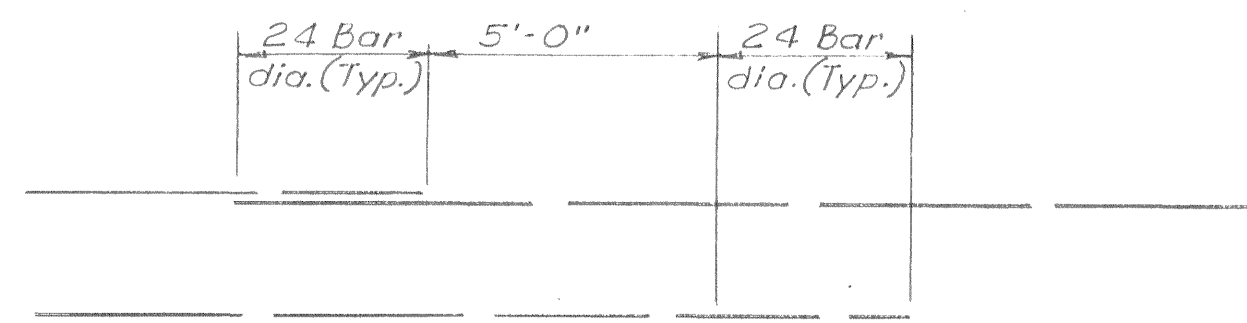
*** GRATING DETAIL**
Not to Scale



EXTRA REINFORCING @ PIPE THRU SLAB OR WALL
Not to scale

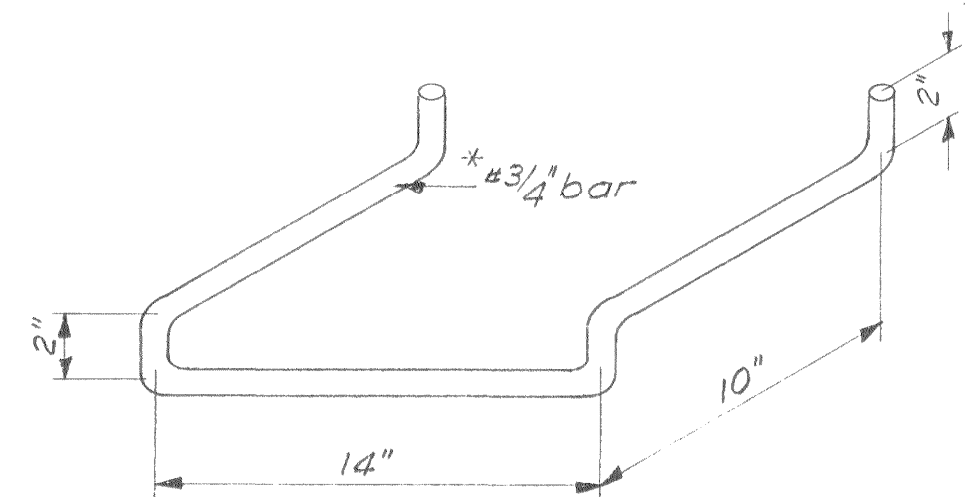


HOSE BIBB
Not to Scale

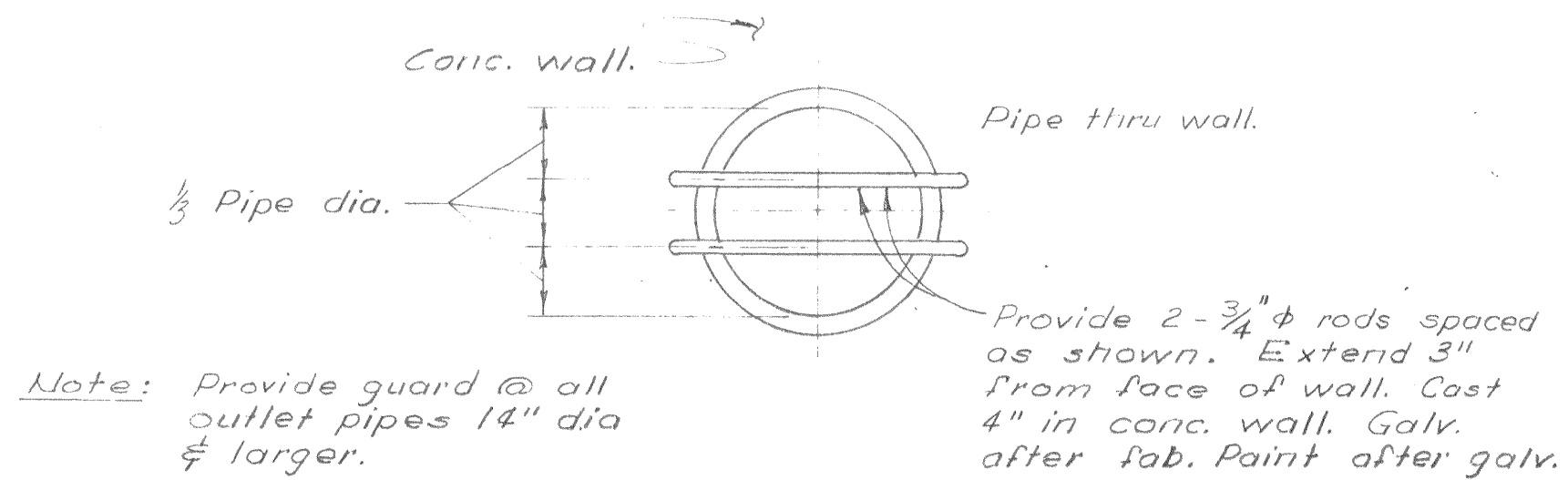


TYPICAL REINFORCING SPLICE
Not to Scale

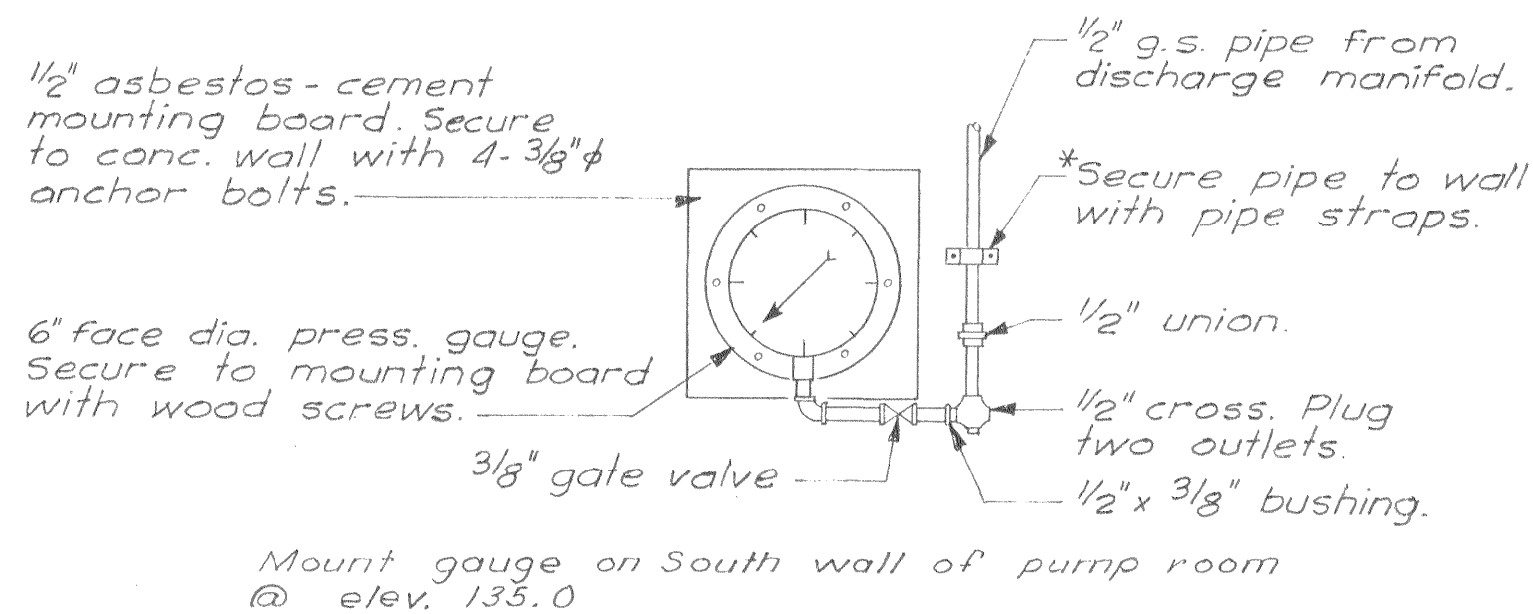
Note:
1. Grating to be furnished in sections weighing not more than 55 lbs.
2. Grating & frame to be galv. after fabrication.



*** MANHOLE STEP**
Not to Scale



PIPE OUTLET GUARD
Not to Scale



PRESSURE GAUGE
Not to Scale

AS BUILT

REVISION	DATE	DESCRIPTION	BY	APP
Δ AB	5-1-61	Modified lifting loop & railing post.	RAB	WHP

CITY OF OROVILLE
BUTTE COUNTY, CALIFORNIA
SEWAGE TREATMENT PLANT
MISCELLANEOUS DETAILS

DEWANTE AND STOWELL
SANITARY AND CIVIL ENGINEERS—SACRAMENTO, CALIFORNIA

DRAWN: H.N.H.	SUBMITTED: [Signature]	SHEET NO. 32
CHECKED: R.H.D.	APPROVED: [Signature]	OF 36
DATE: Mar. 1959		