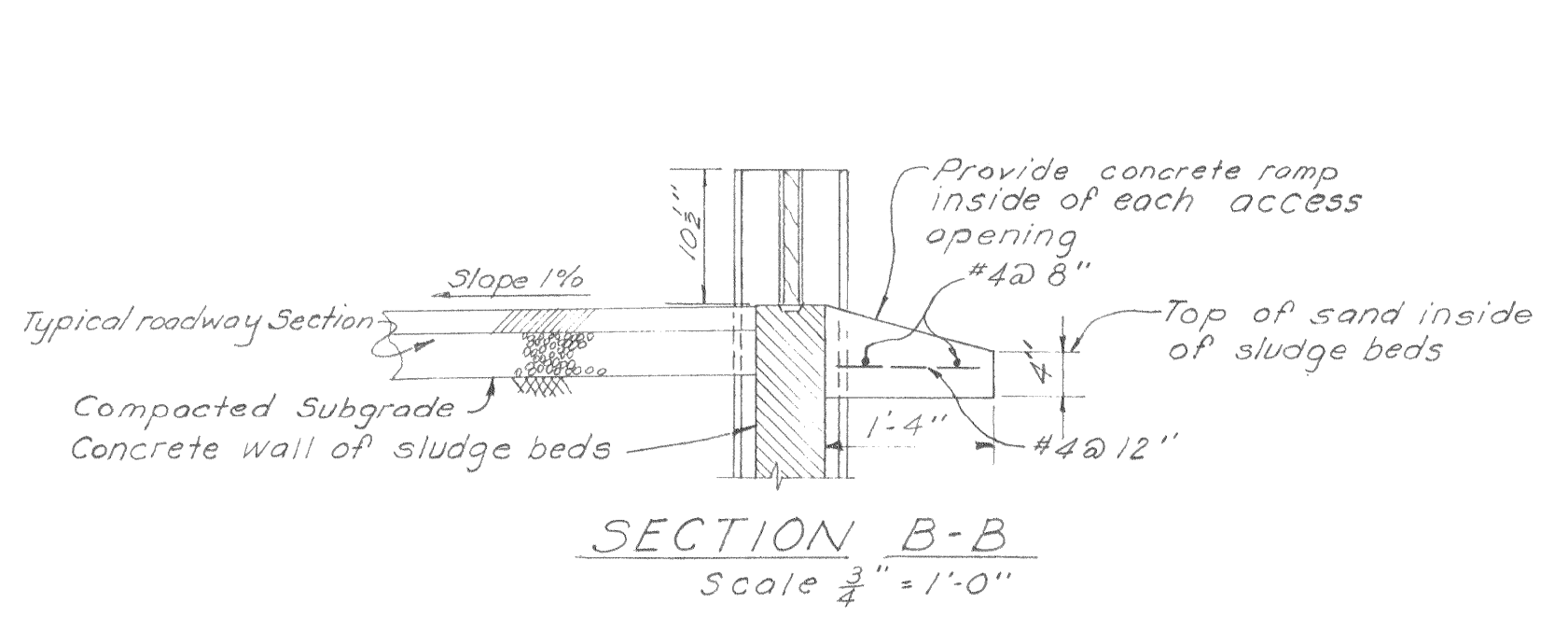
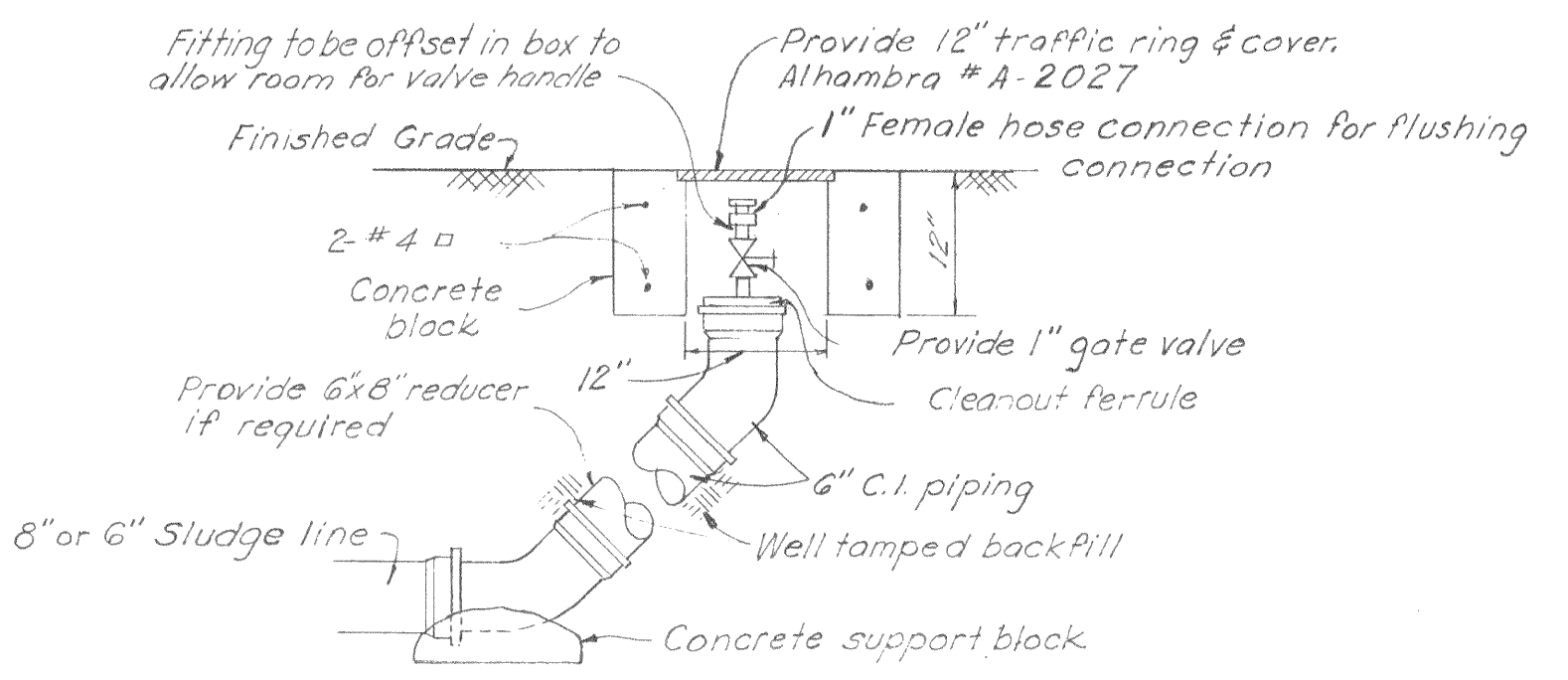


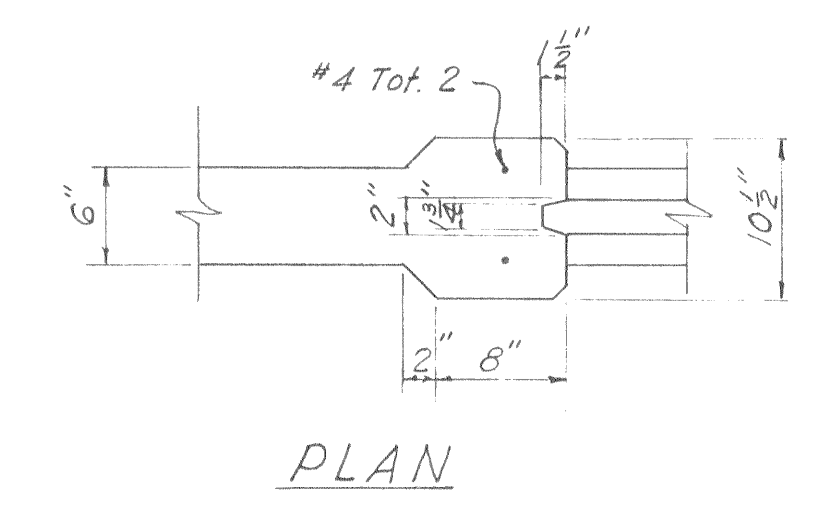
PLAN
Scale 1/8" = 20'



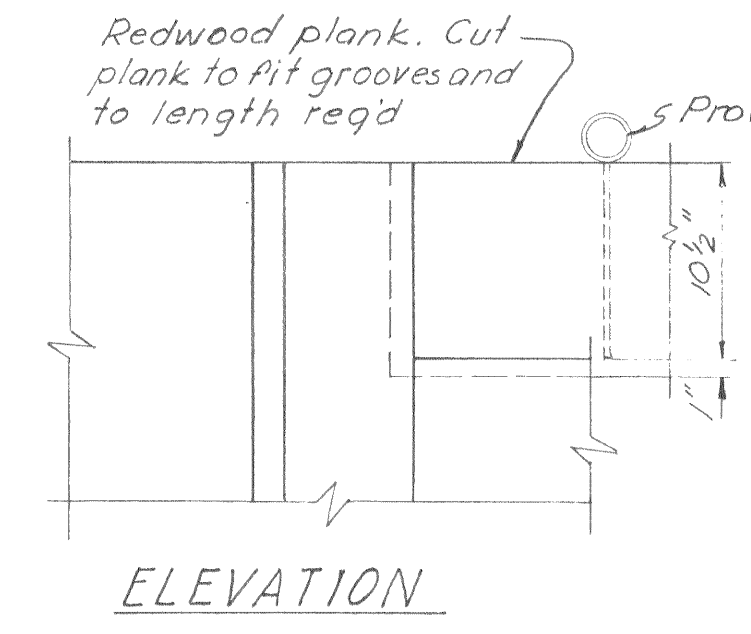
SECTION B-B
Scale 3/4" = 1'-0"



CLEAN OUT DETAIL
No Scale

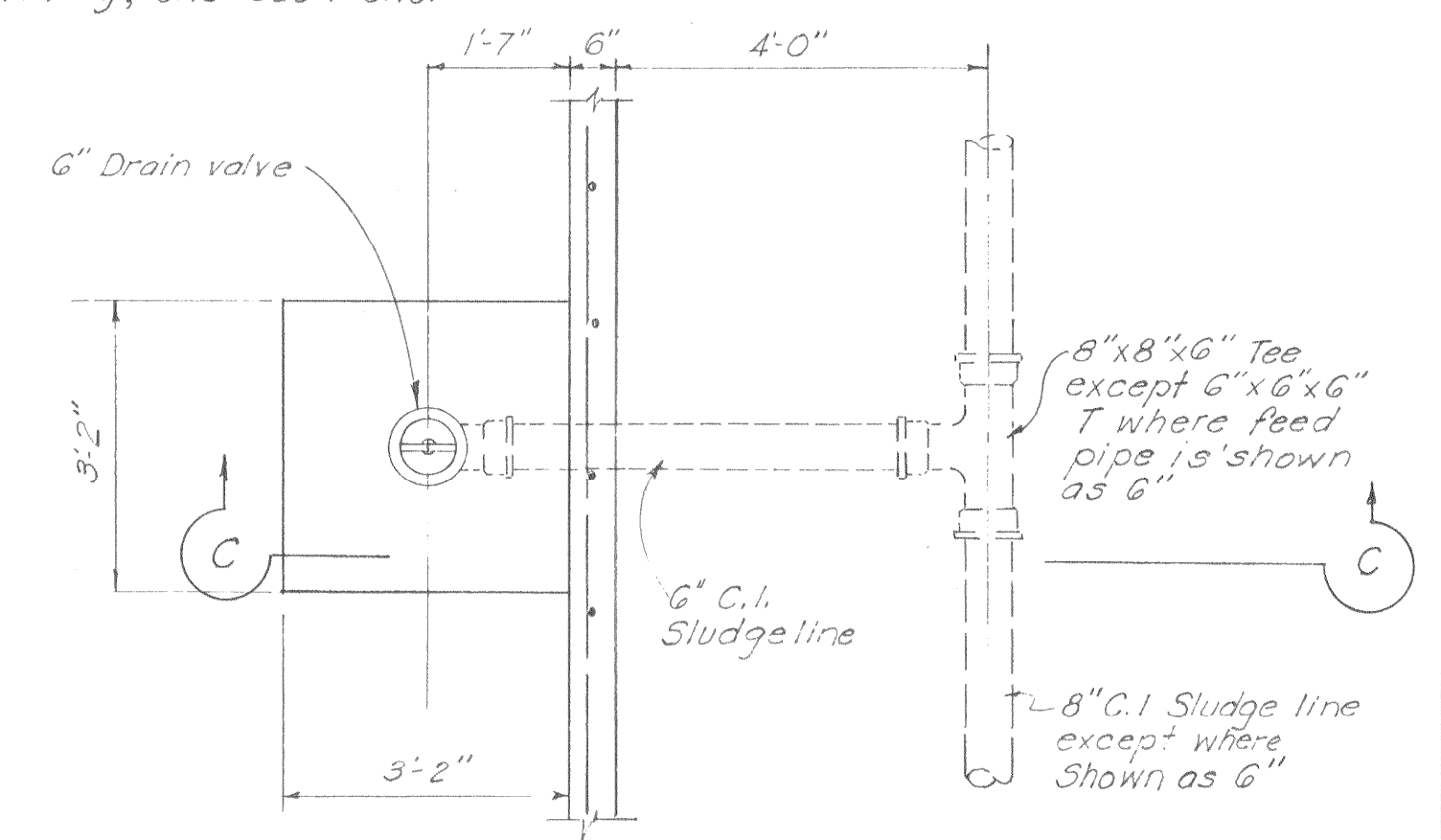


PLAN

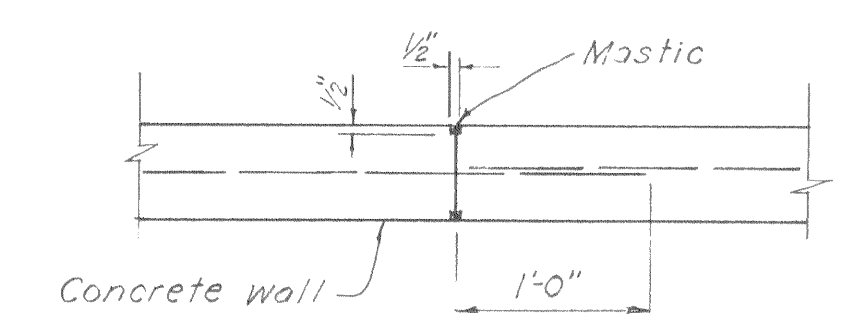


ELEVATION

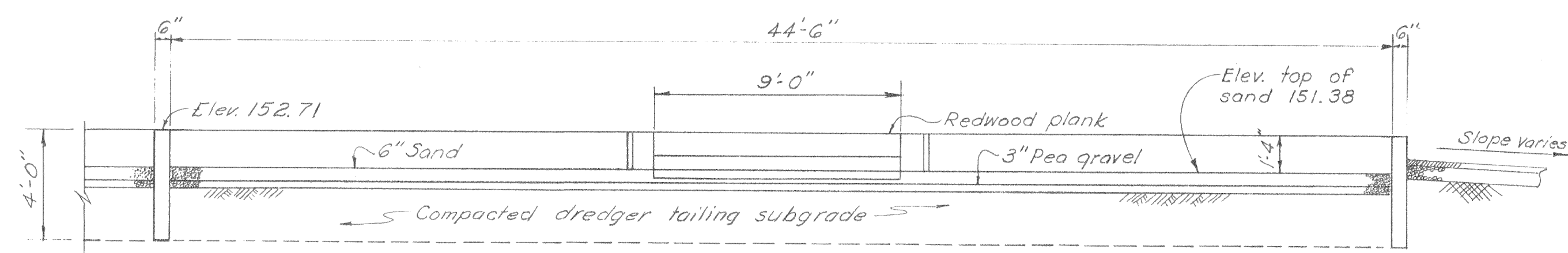
DETAIL A
Scale: 1/4" = 1'-0"



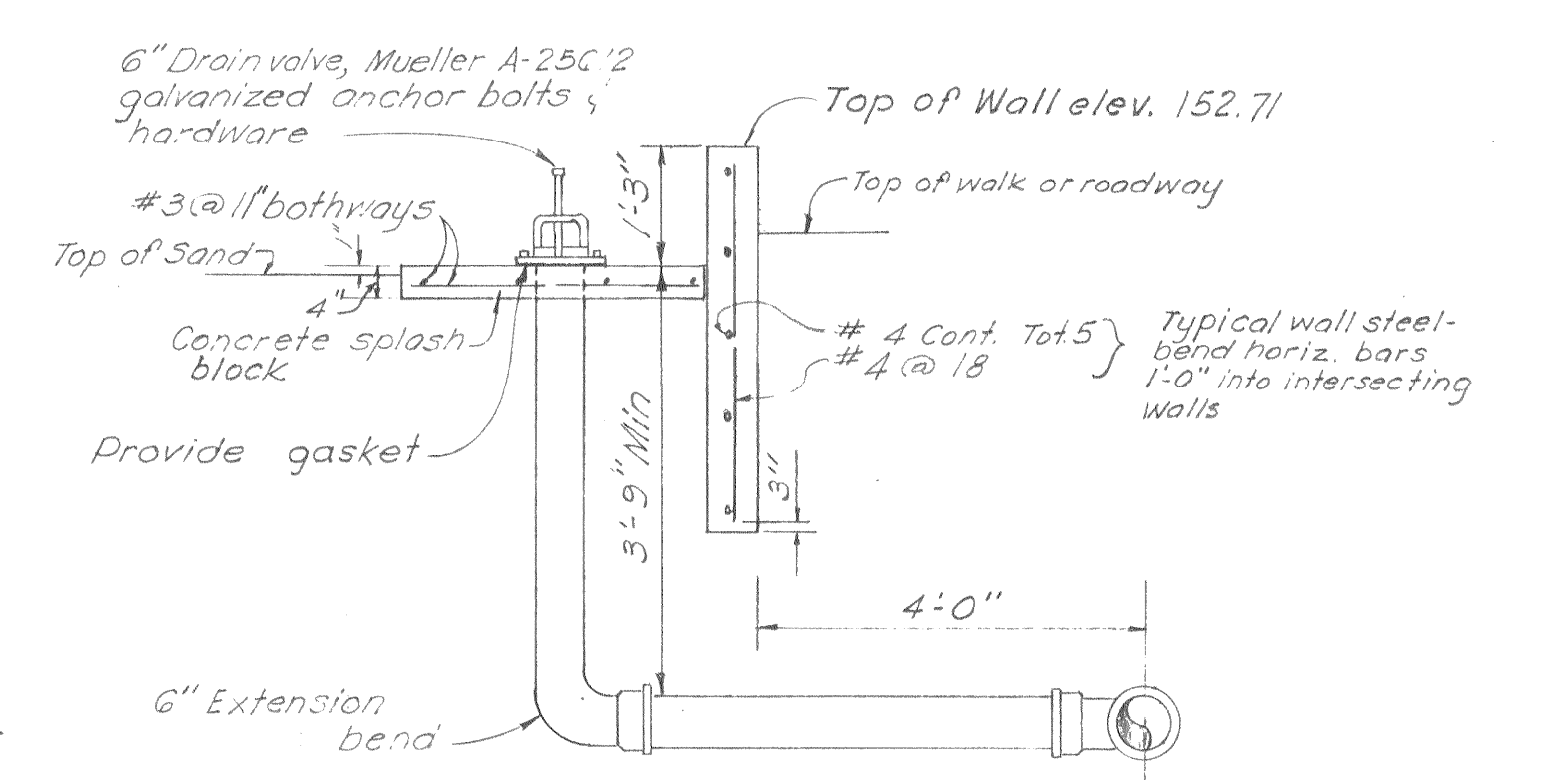
PLAN OF INLET
Scale: 1/2" = 1'-0"



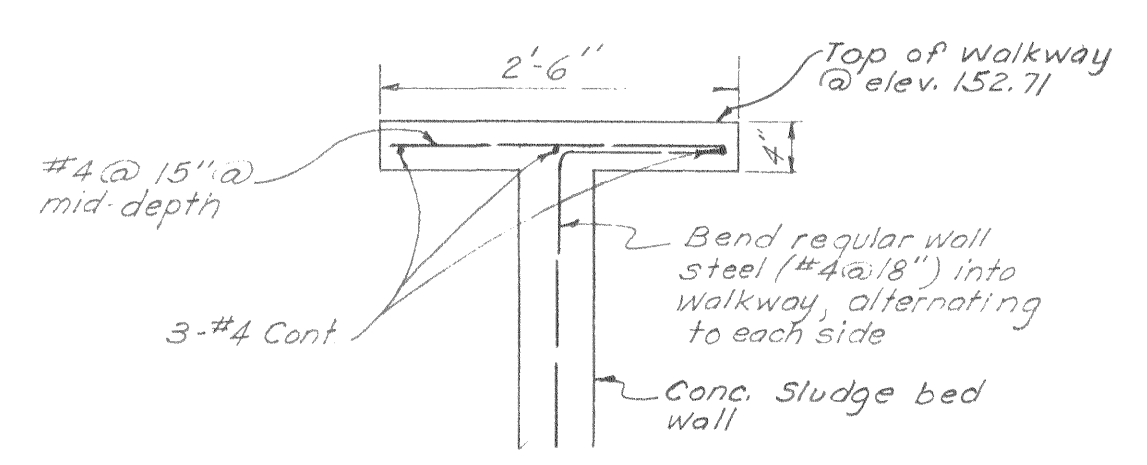
TYPICAL CONSTRUCTION JOINT
No Scale



SECTION A-A
Scale: 1/4" = 1'-0"



SECTION C-C
Scale: 1/2" = 1'-0"



DETAIL OF WALKWAY
Scale: 3/4" = 1'-0"

AS BUILT

Δ A.B.	5-1-61	Relocated walkway	RAB	APP
REVISION	DATE	DESCRIPTION	BY	APP
CITY OF OROVILLE BUTTE COUNTY, CALIFORNIA SEWAGE TREATMENT PLANT SLUDGE DRYING BEDS				
DEWANTE AND STOWELL SANITARY AND CIVIL ENGINEERS—SACRAMENTO, CALIFORNIA				
DRAWN: F.L.	SUBMITTED:			SHEET NO.
CHECKED: R.H.D.	APPROVED:			31
DATE: Mar., 1959				OF 36