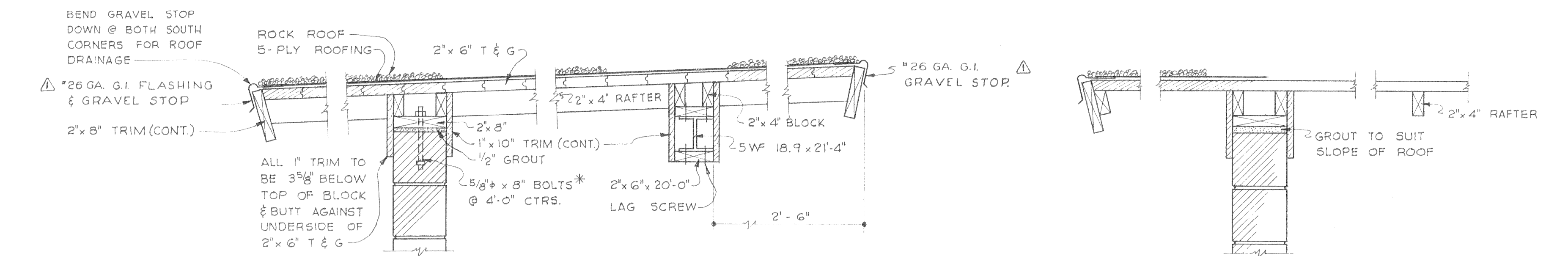
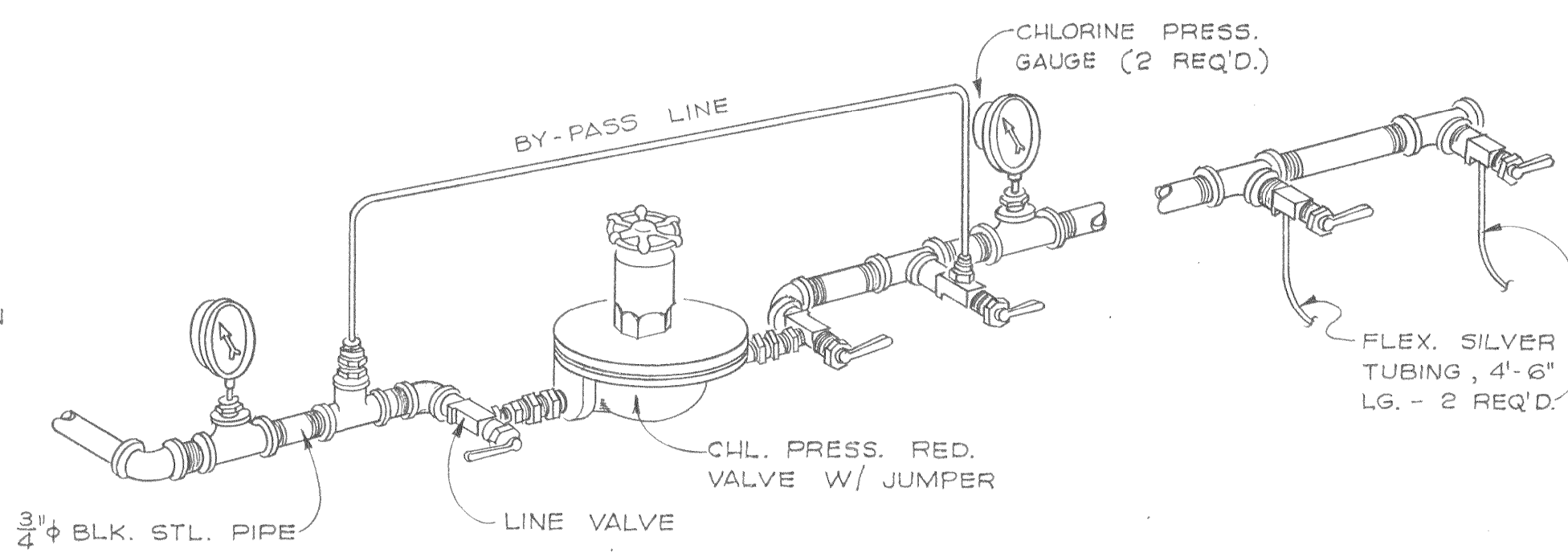


PLAN
SCALE: 3/8" = 1'-0"

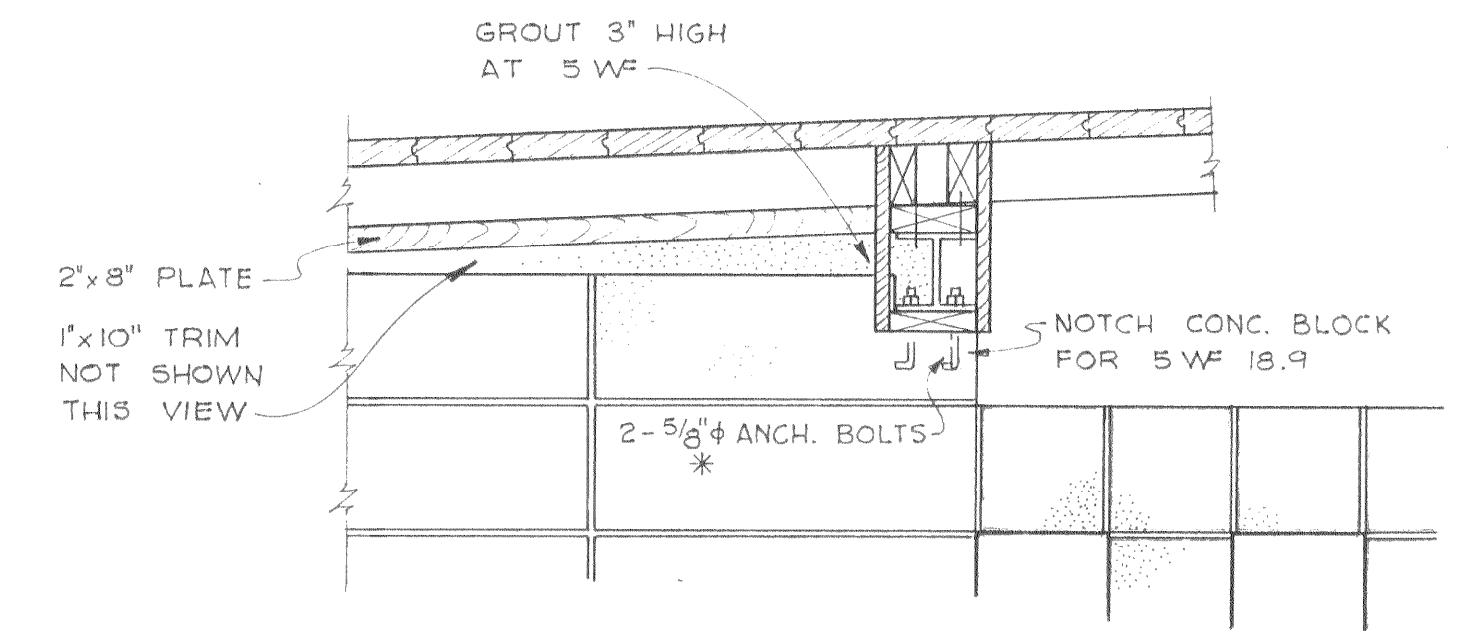


SECTION B-B
SCALE: 1" = 1'-0"

SECTION C-C
SCALE: 1" = 1'-0"

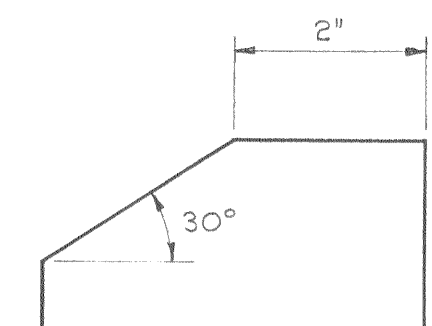


CHLORINE HEADER
NOT TO SCALE

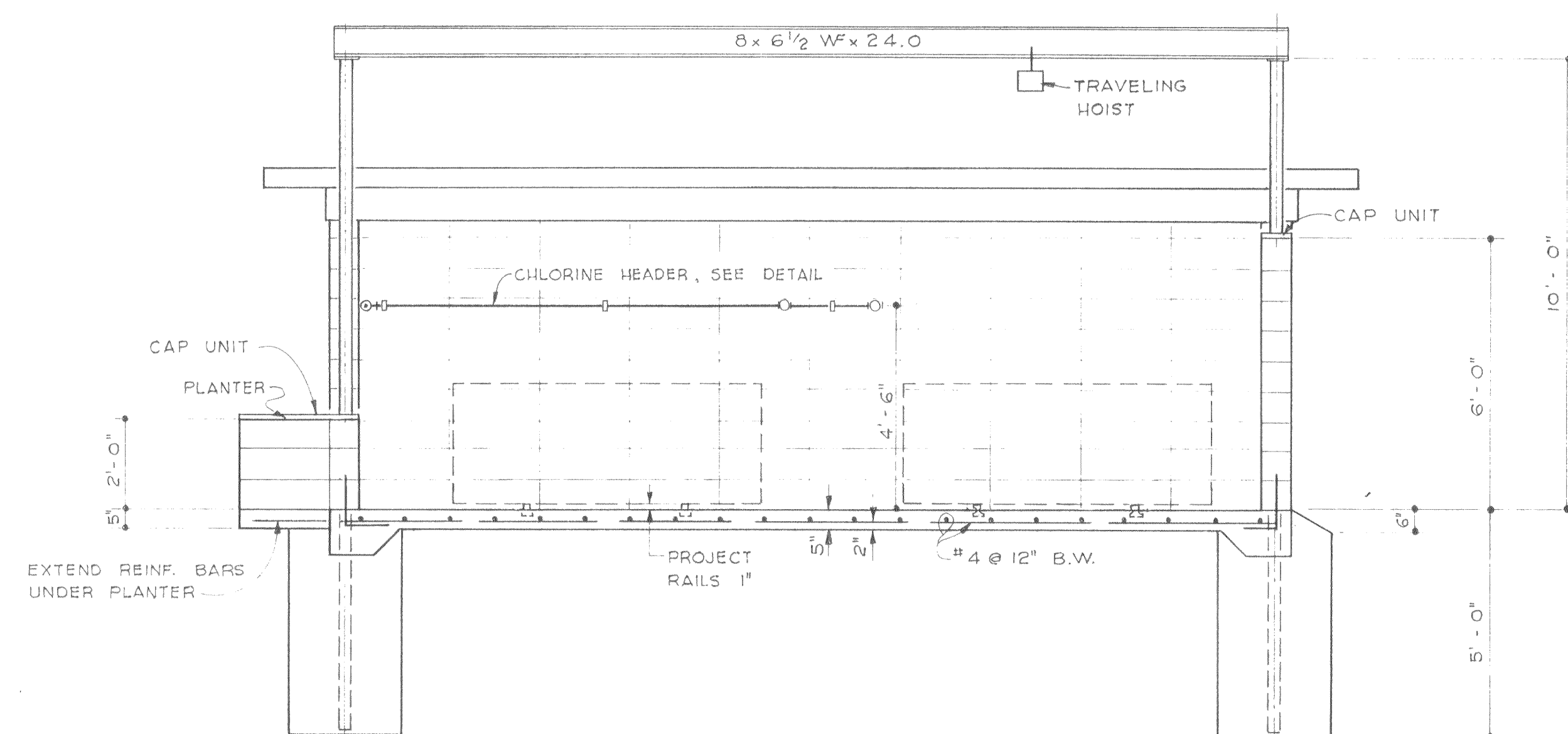


DETAIL A
SCALE: 1" = 1'-0"

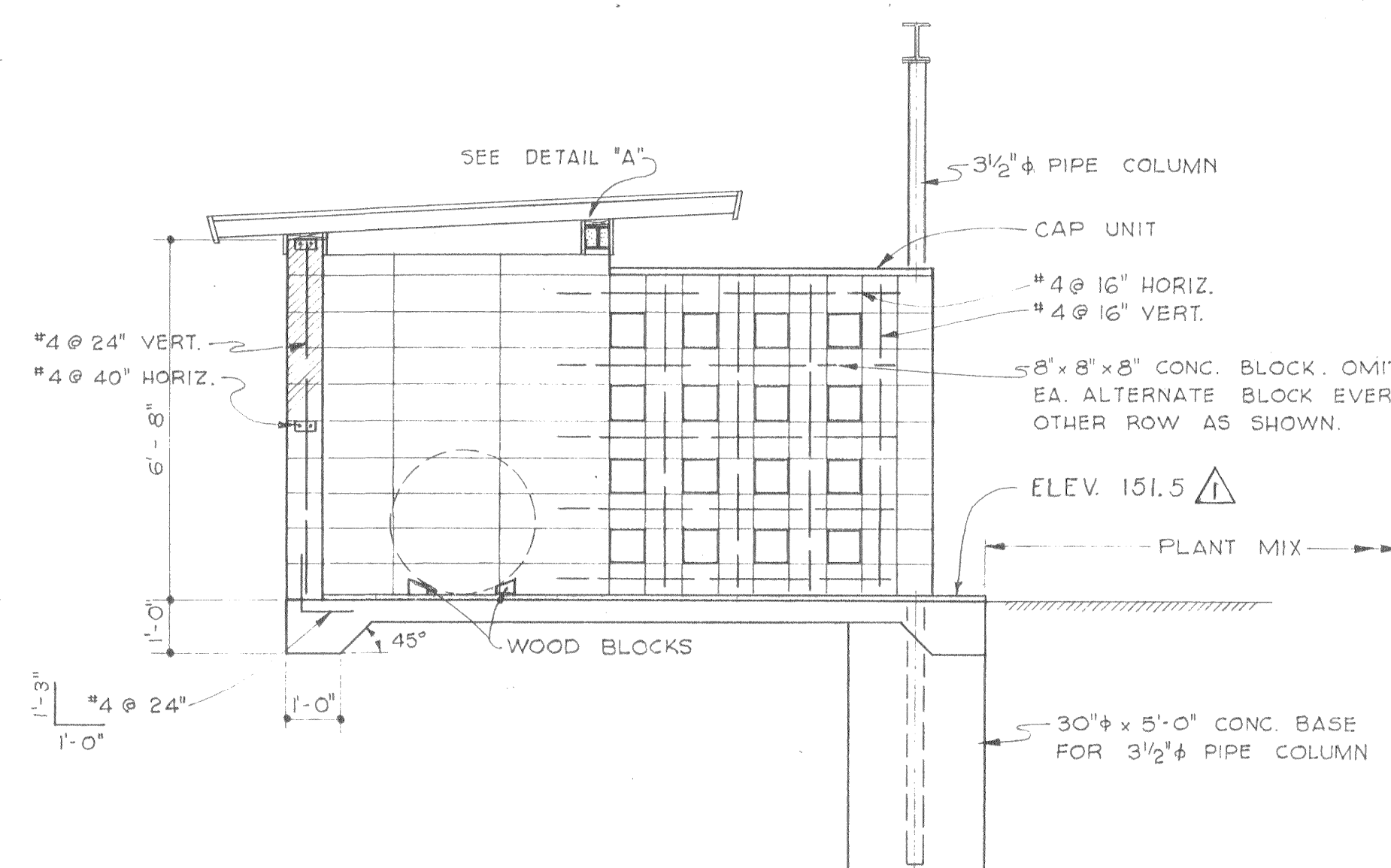
PROVIDE 2" x 4" x 8'-0" AND 2" x 4" x 4'-0" WOOD BLOCK CUT AS SHOWN. 2 REQ'D. EA. SIZE (4 TOTAL)



BLOCK DETAIL
SCALE: HALF SIZE



NORTH ELEVATION
SCALE: 3/8" = 1'-0"



SECTION A-A
SCALE: 3/8" = 1'-0"

AS BUILT

REVISION	DATE	DESCRIPTION	BY	APP
△ AB	5-1-61	Changed flashing mat'l.	R.A.B.	HHP

CITY OF OROVILLE
BUTTE COUNTY, CALIFORNIA

SEWAGE TREATMENT PLANT
CHLORINE STORAGE
STRUCTURE

DEWANTE AND STOWELL
SANITARY AND CIVIL ENGINEERS—SACRAMENTO, CALIFORNIA

DRAWN: H.H.	SUBMITTED:	SHEET NO.
CHECKED: R.H.D.	APPROVED: <i>[Signature]</i>	30
DATE: Mar., 1959		OF 36