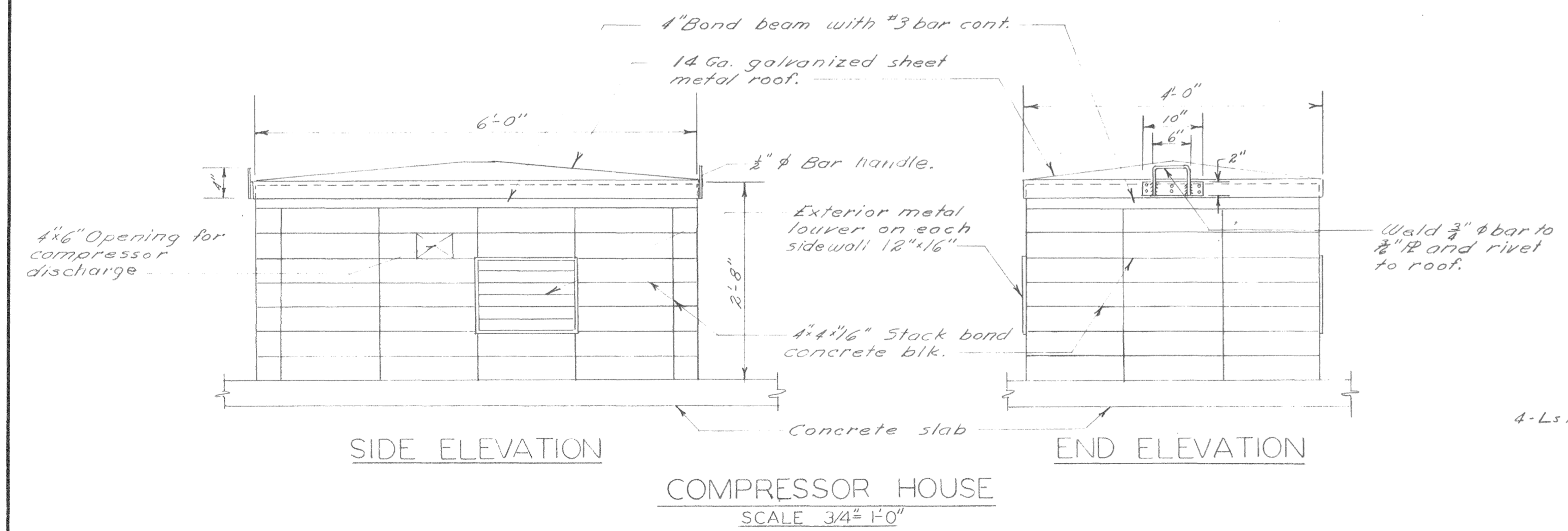
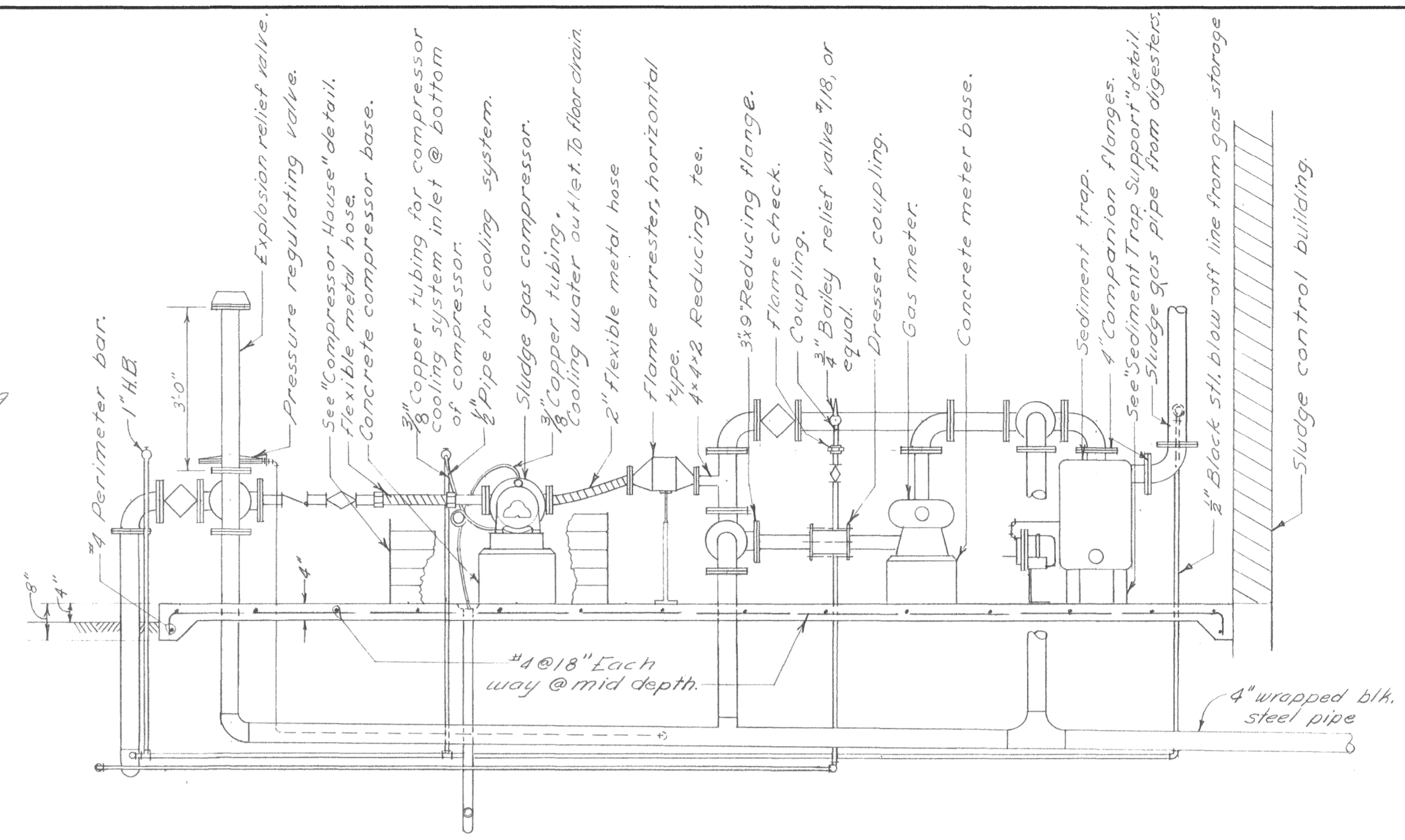


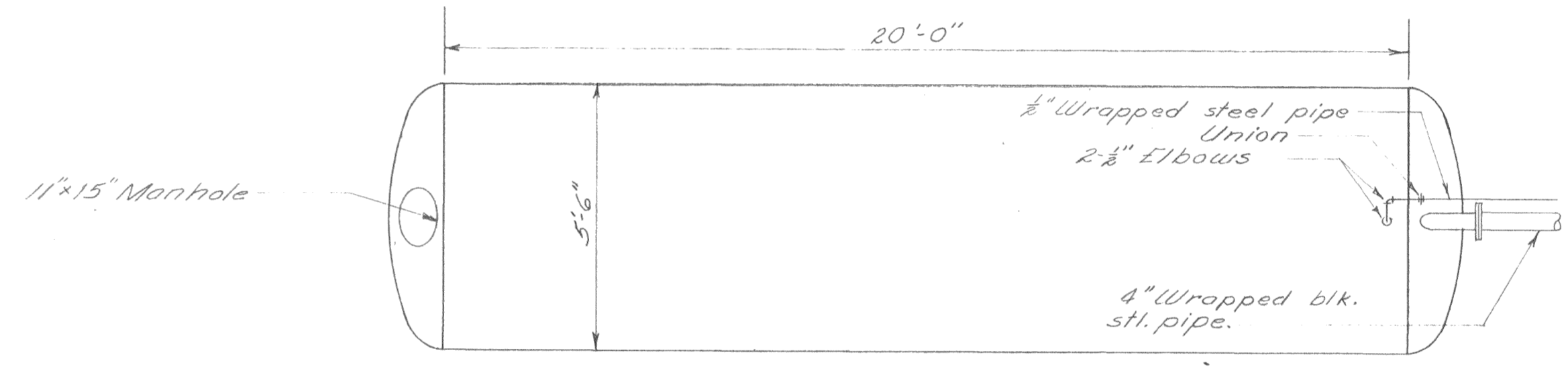
PLAN
GAS CONTROL PAD
SCALE 1/2" = 1'-0"



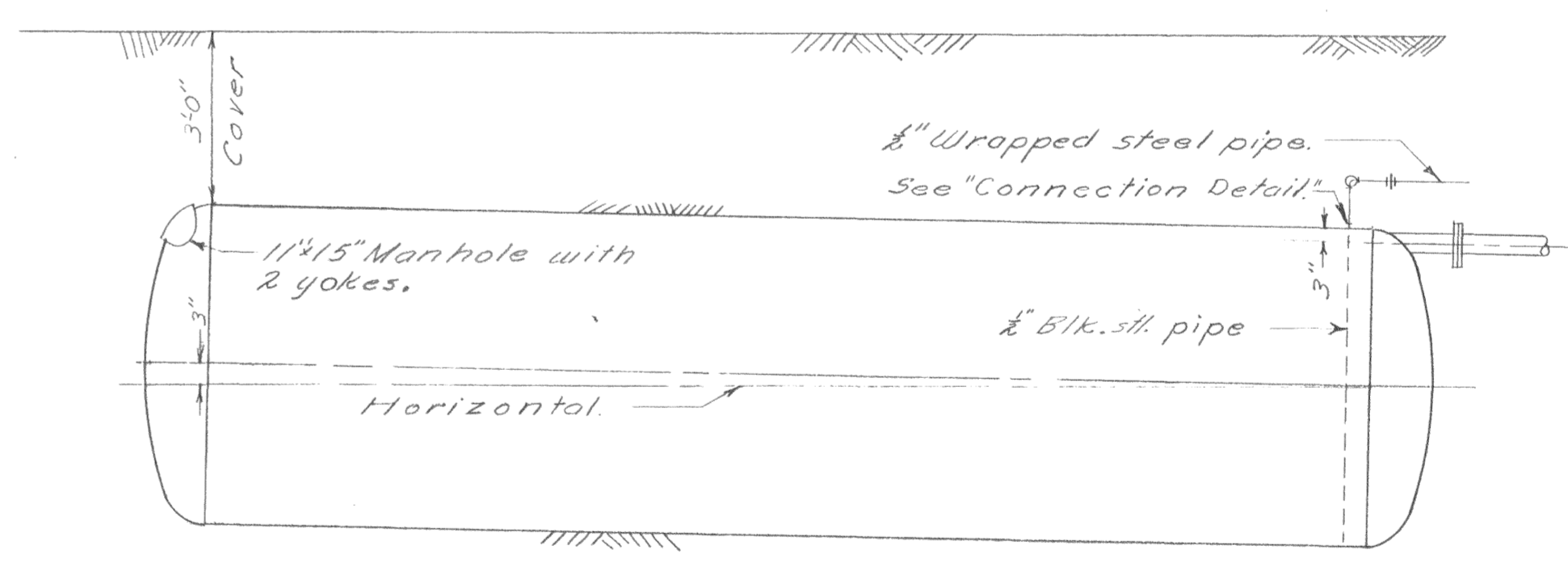
COMPRESSOR HOUSE
SCALE 3/4" = 1'-0"



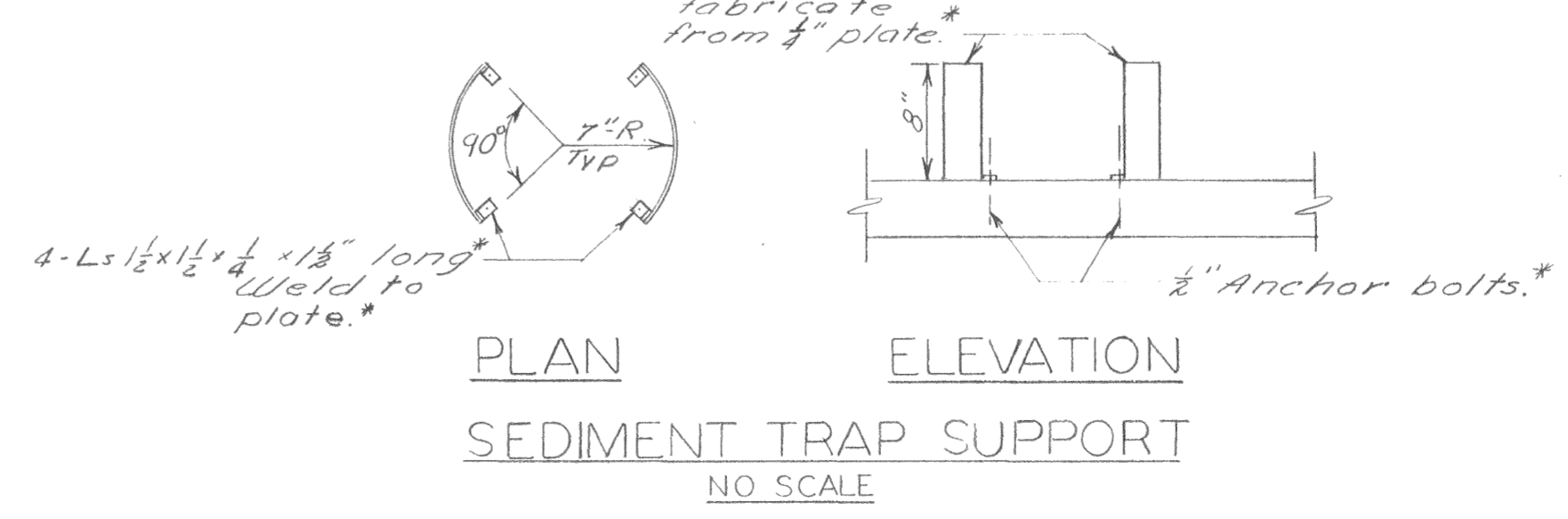
SECTION A-A
SCALE 1/2" = 1'-0"



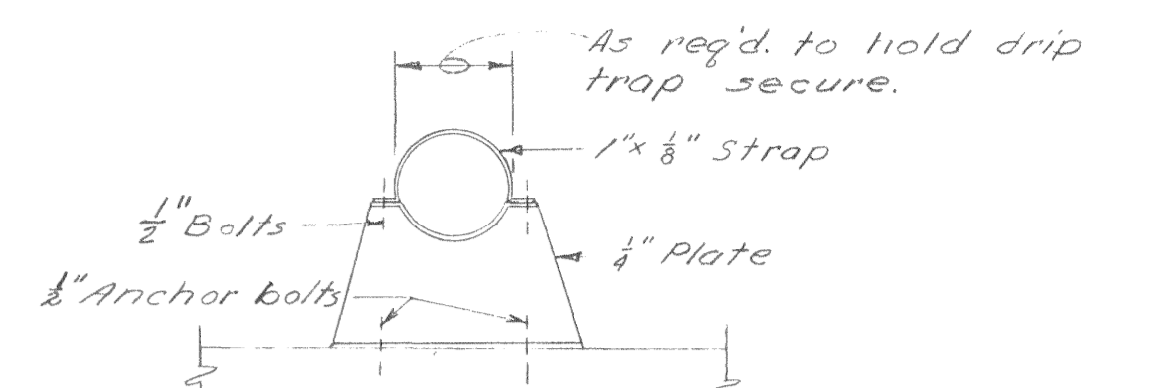
PLAN



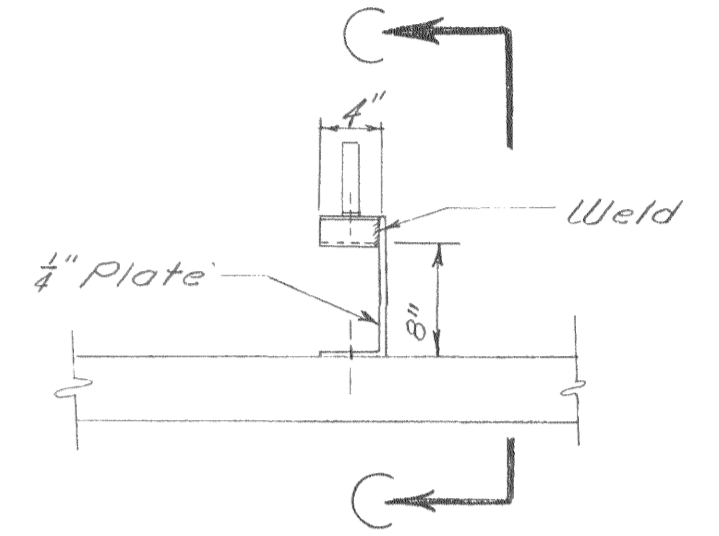
ELEVATION
GAS STORAGE TANK
SCALE 1/8" = 1'-0"



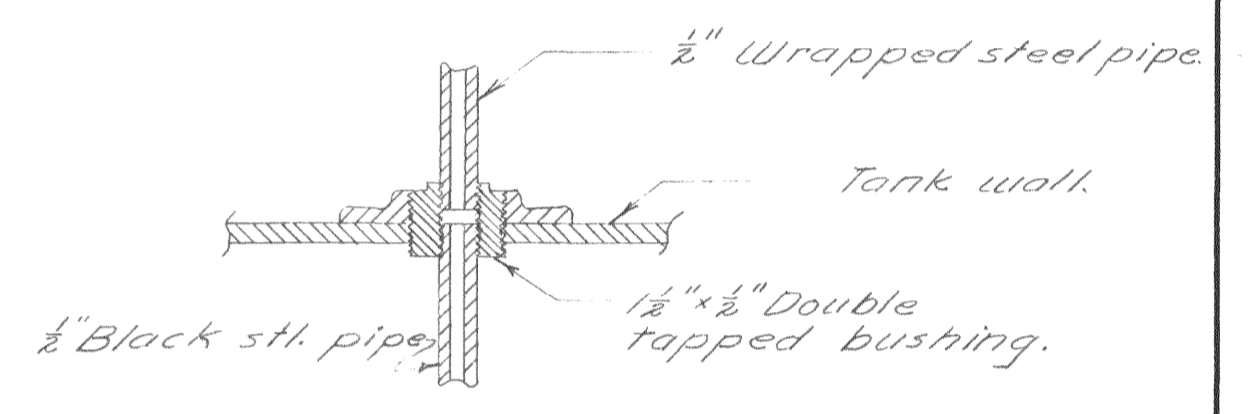
PLAN ELEVATION
SEDIMENT TRAP SUPPORT
NO SCALE



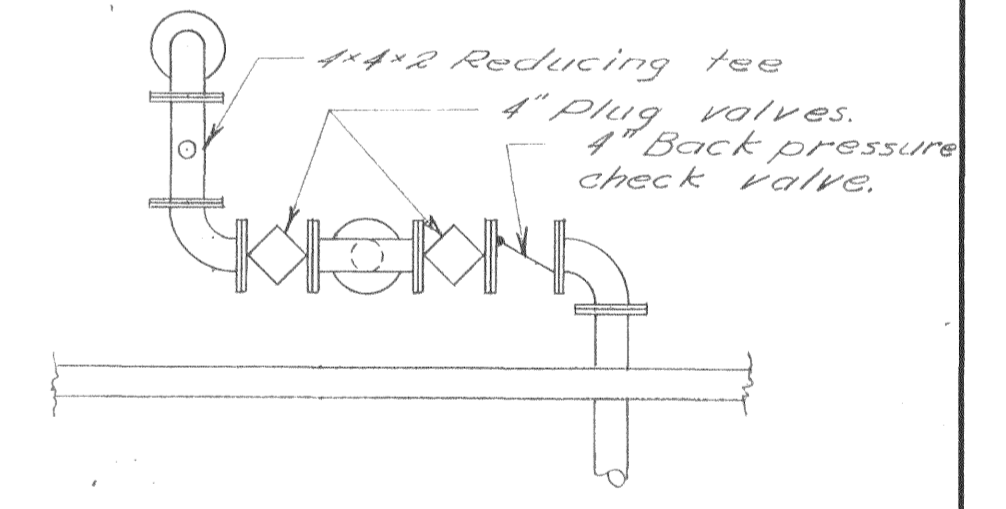
SECTION G-C



DRIP TRAP SUPPORT
SCALE 1/2" = 1'-0"



CONNECTION DETAIL
NO SCALE



SECTION B-B
SCALE 1/2" = 1'-0"

AS BUILT

REVISION	DATE	DESCRIPTION	BY	APP.
5-1-61		Added 1/2" pipe, press. sv. & ga.	J.J.	J.P.
CITY OF OROVILLE BUTTE COUNTY, CALIFORNIA SEWAGE TREATMENT PLANT GAS STORAGE & CONTROL EQUIPMENT				
DEWANTE AND STOWELL SANITARY AND CIVIL ENGINEERS - SACRAMENTO, CALIFORNIA				
DRAWN: G.C.J.	CHECKED: R.H.D.	SUBMITTED: <i>R. Stowell</i>	APPROVED: <i>G. Dewante</i>	SHEET NO. 29 OF 36
DATE: Mar. 1959				