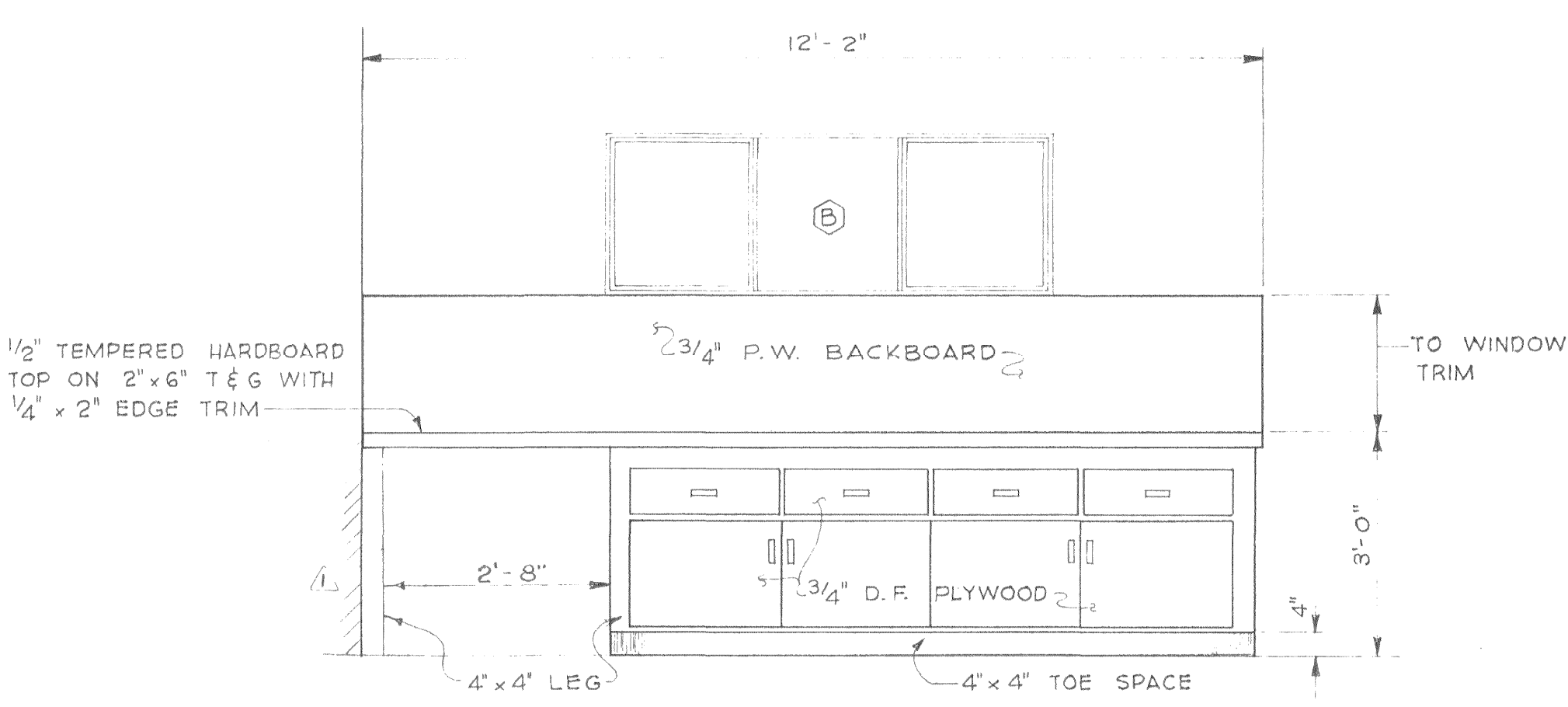
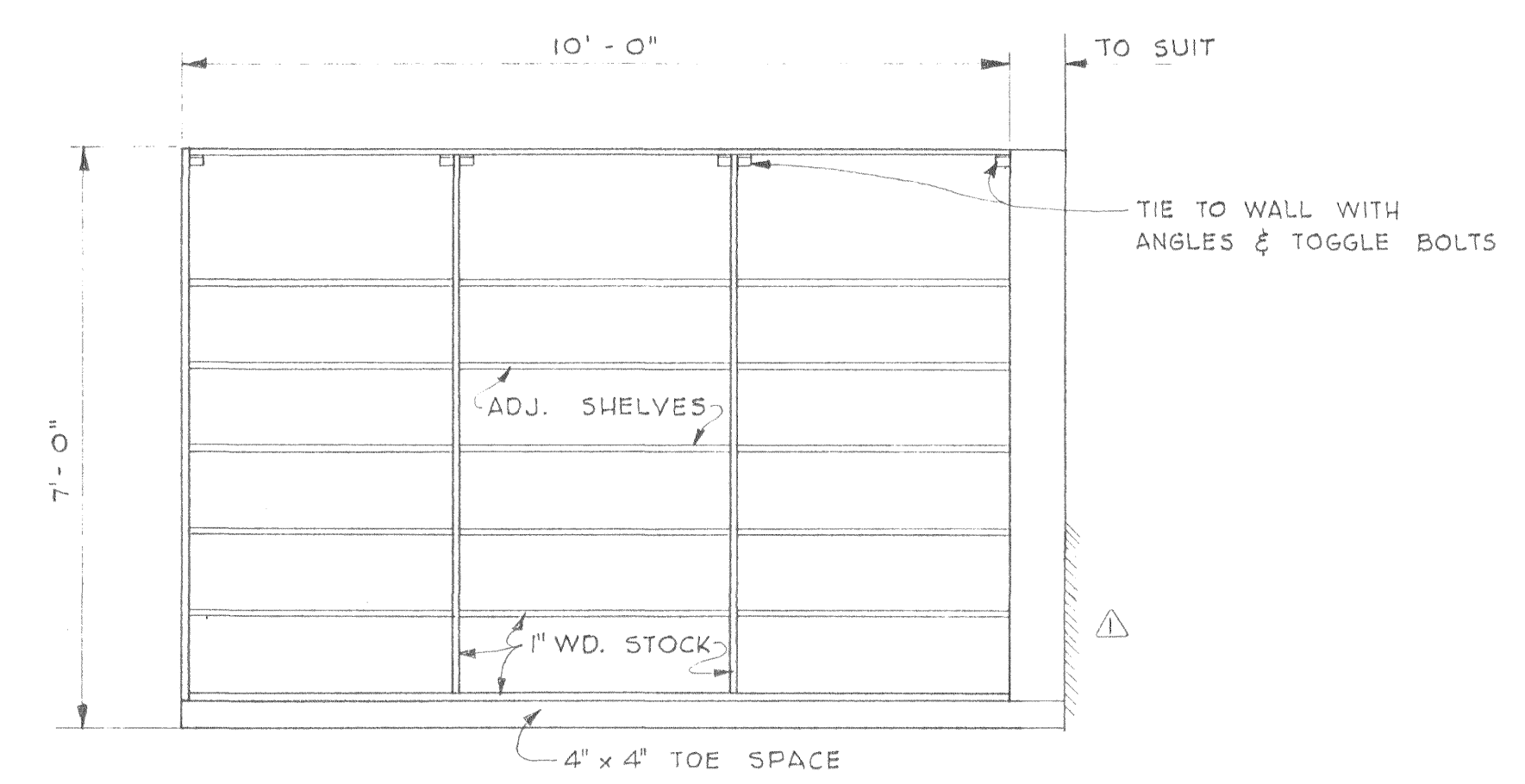


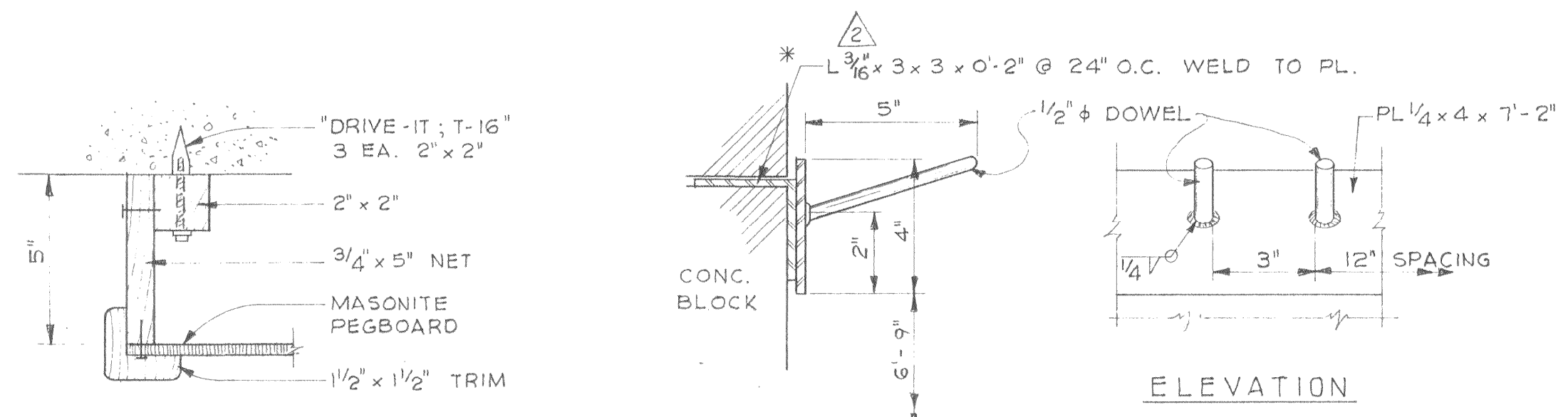
FLOOR PLAN  
Scale: 1/4" = 1'-0"



WORK BENCH  
Scale: 1/2" = 1'-0"

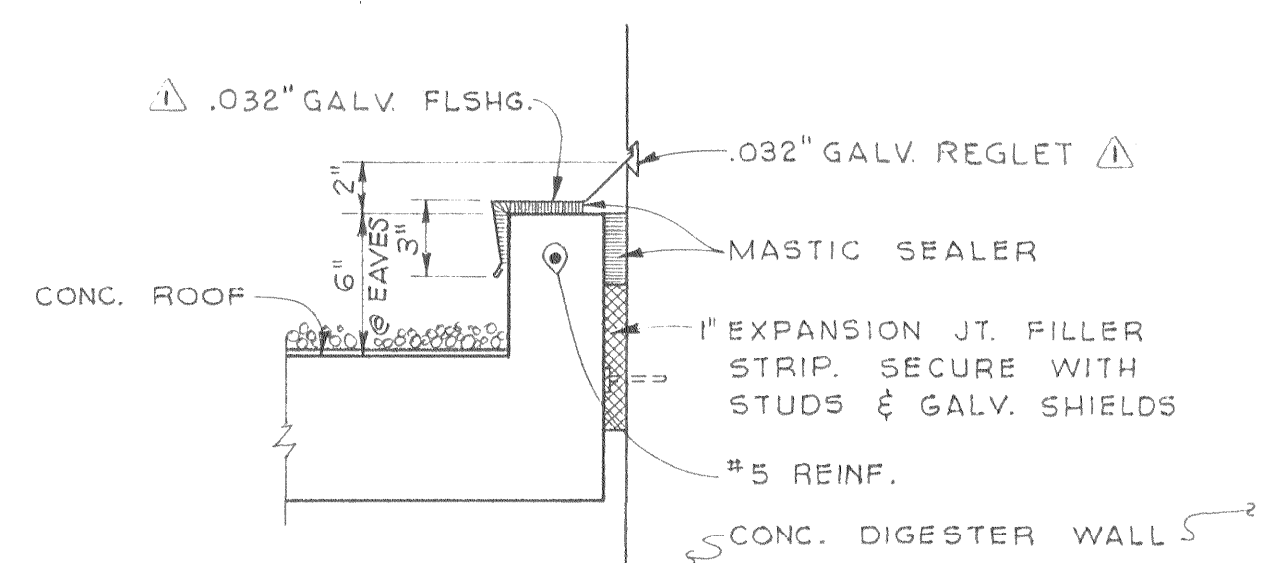


STORAGE CABINET  
Scale: 1/2" = 1'-0"

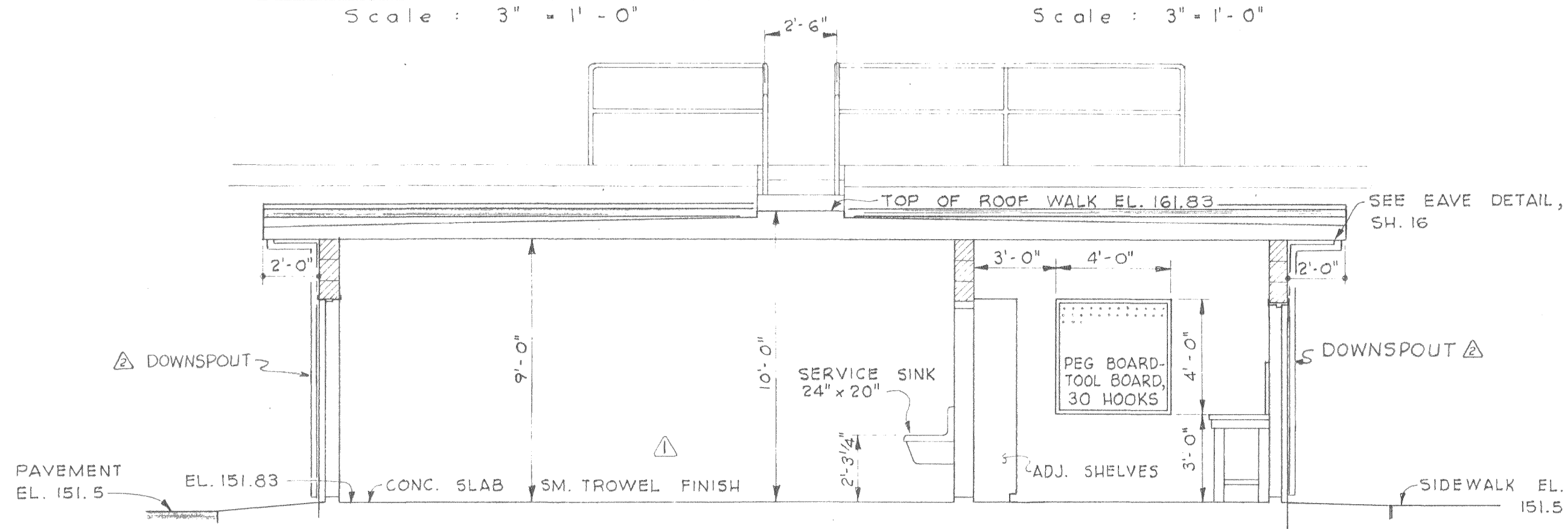


TOOL BOARD  
Scale: 3" = 1'-0"

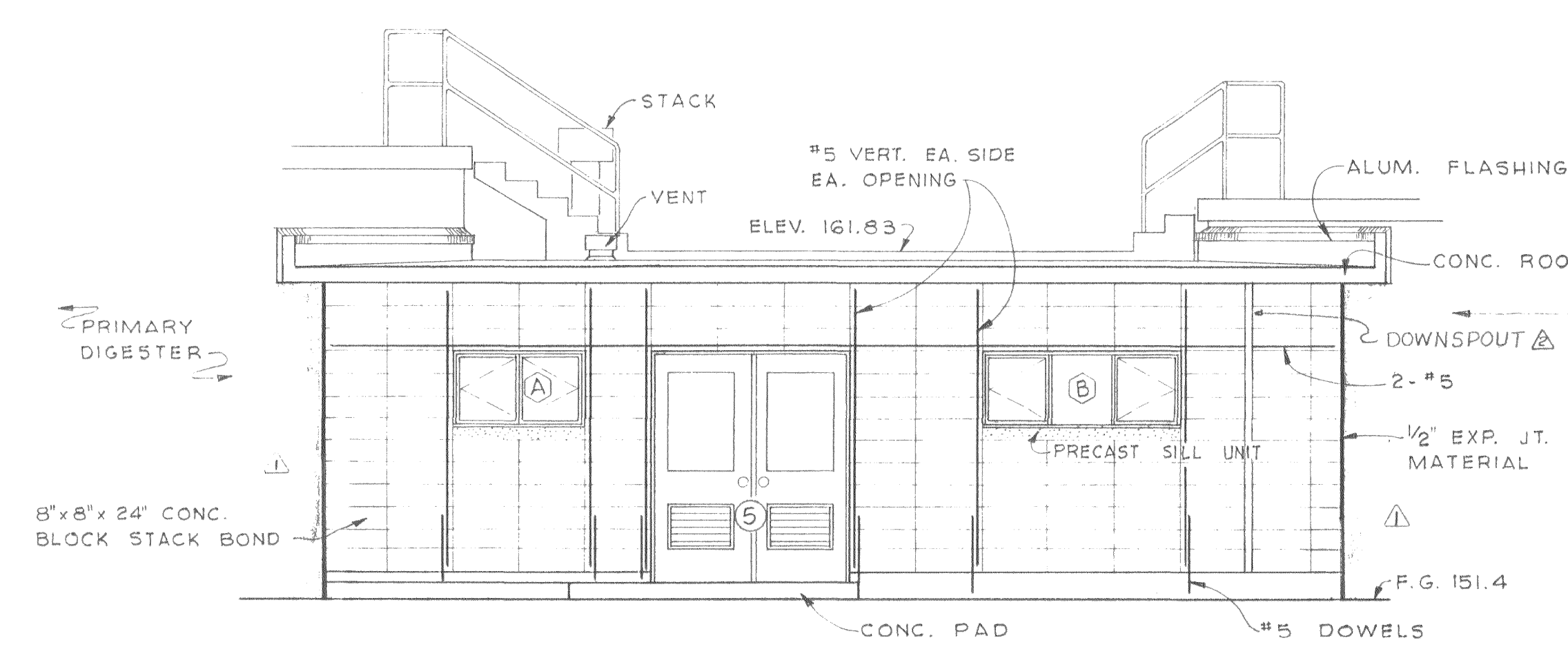
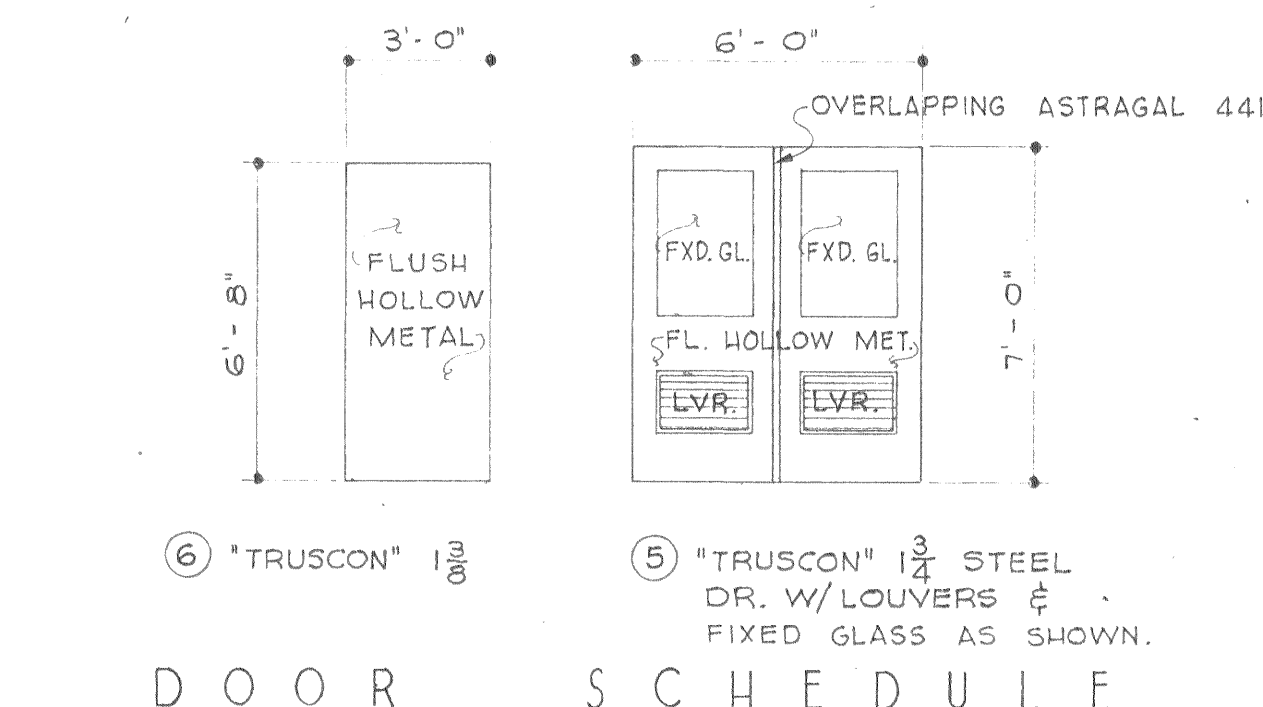
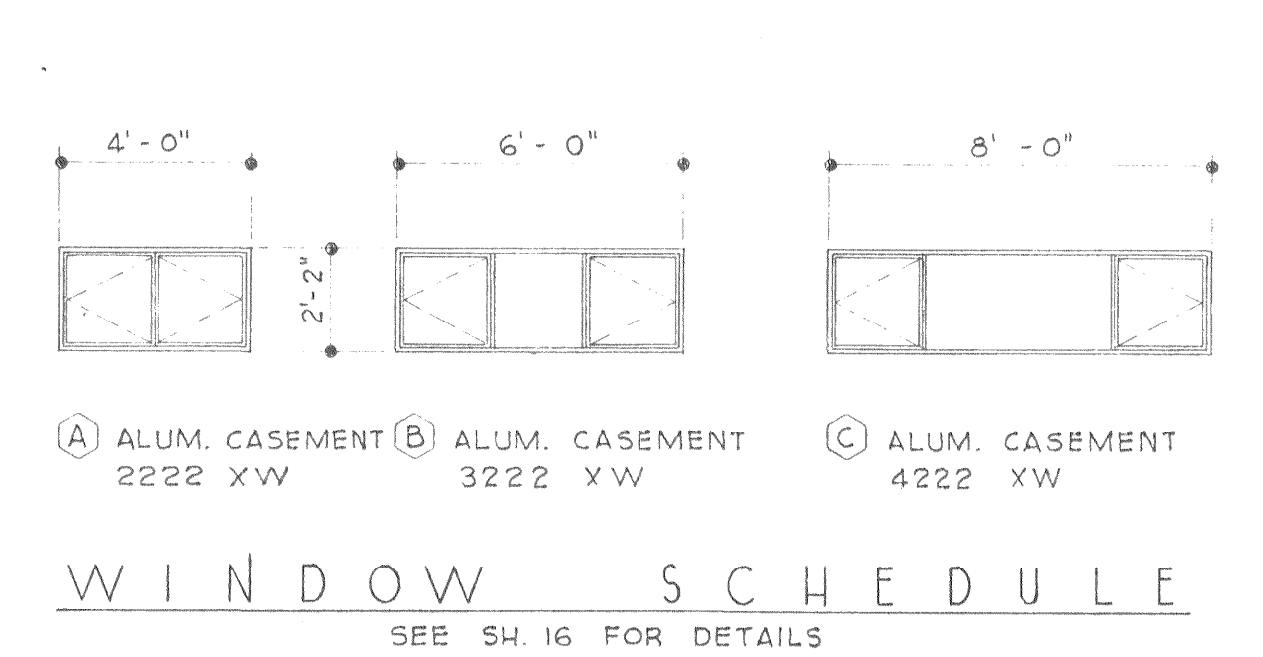
\*TOOL RACK  
Scale: 3" = 1'-0"



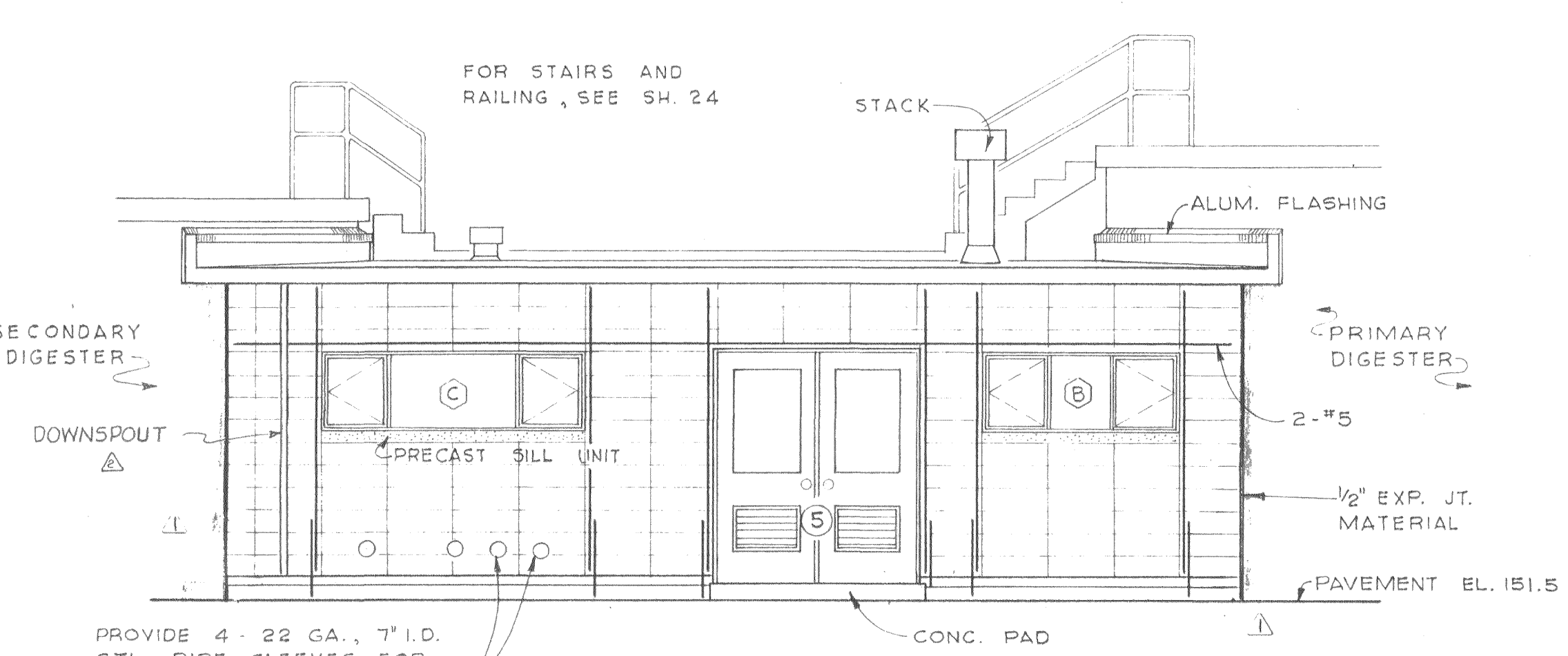
ROOF FLASHING  
Scale: 1 1/2" = 1'-0"



SECTION A-A  
Scale: 1/4" = 1'-0"



SOUTH ELEVATION  
Scale: 1/4" = 1'-0"



NORTH ELEVATION  
Scale: 1/4" = 1'-0"

AS BUILT

REV.	DATE	DESCRIPTION	BY	APP.
AB	5-1-61	ADDED DOWNSPOUT CHANGED ANGLE SIZE.	RAB	RAB
Δ	8-13-51	REVISED DUE TO PRESTRESSED DESIGN	G.L.	RAB

CITY OF OROVILLE  
BUTTE COUNTY, CALIFORNIA

SEWAGE TREATMENT PLANT

SLUDGE CONTROL BUILDING

DEWANTE AND STOWELL  
SANITARY AND CIVIL ENGINEERS - SACRAMENTO, CALIFORNIA

DRAWN: H.H. SUBMITTED: [Signature]  
CHECKED: R.H.D. APPROVED: [Signature]  
DATE: Mar 1959

SHEET NO. 28 OF 36