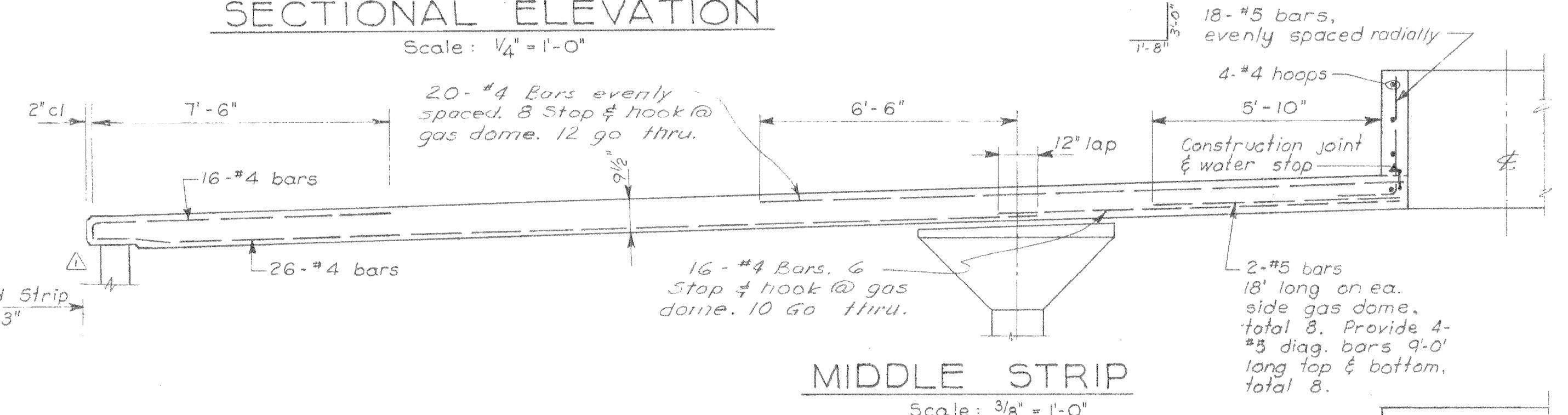


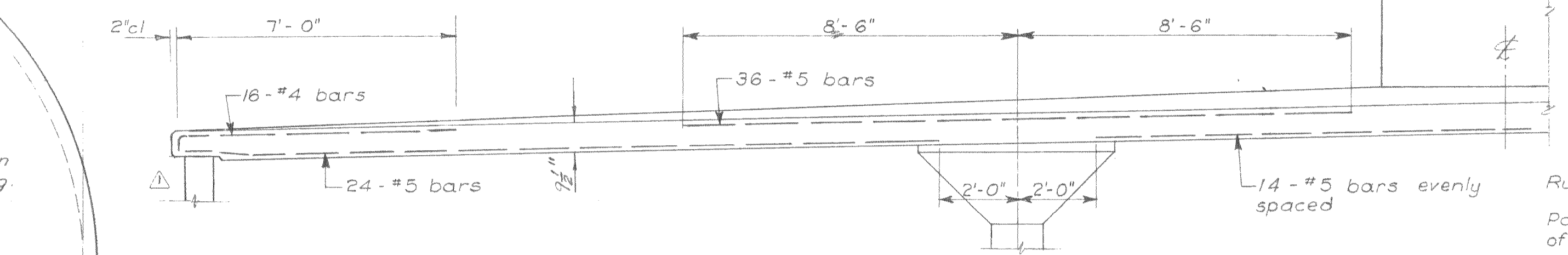
NOTE:
Primary digestion tank shown. Secondary digestion tank same except for elevations & location of openings in top slab. See Sht. 22

Note: Column footings not shown this view. See section of "Typical Column."

SECTIONAL ELEVATION
Scale: 1/4" = 1'-0"



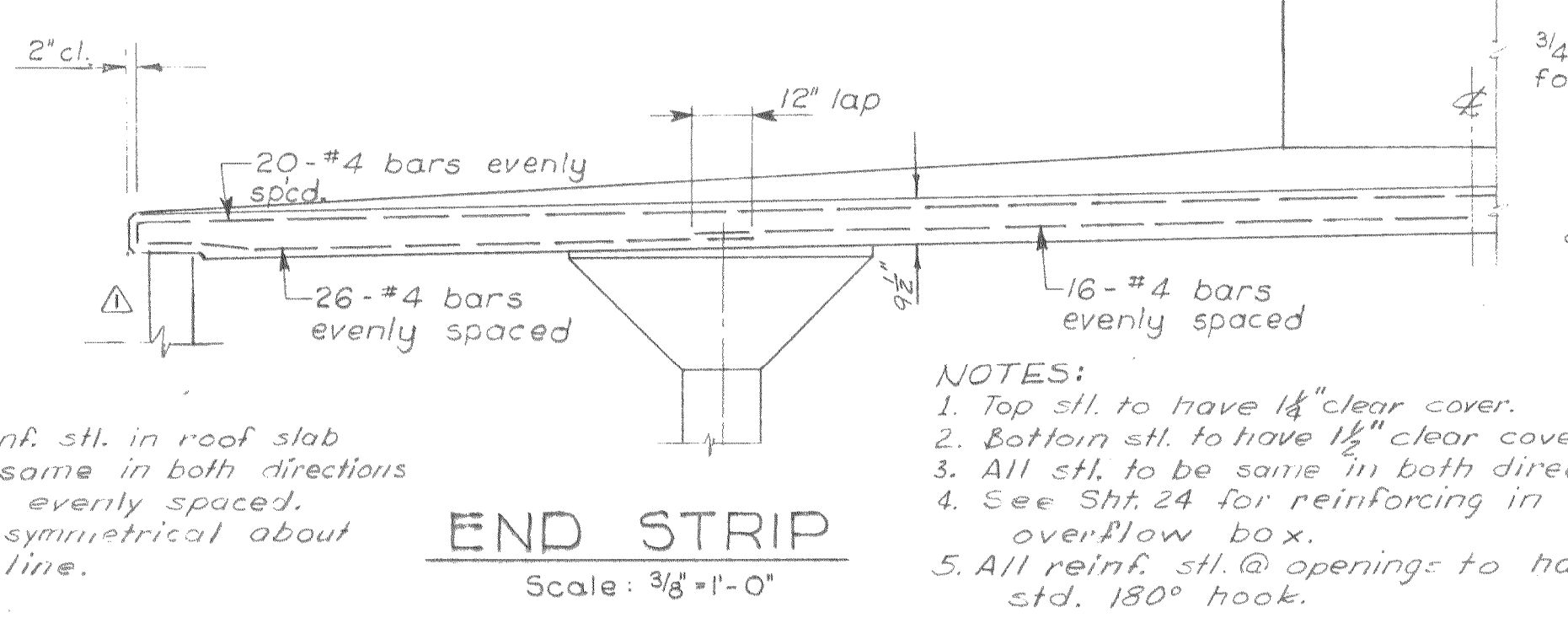
MIDDLE STRIP
Scale: 3/8" = 1'-0"



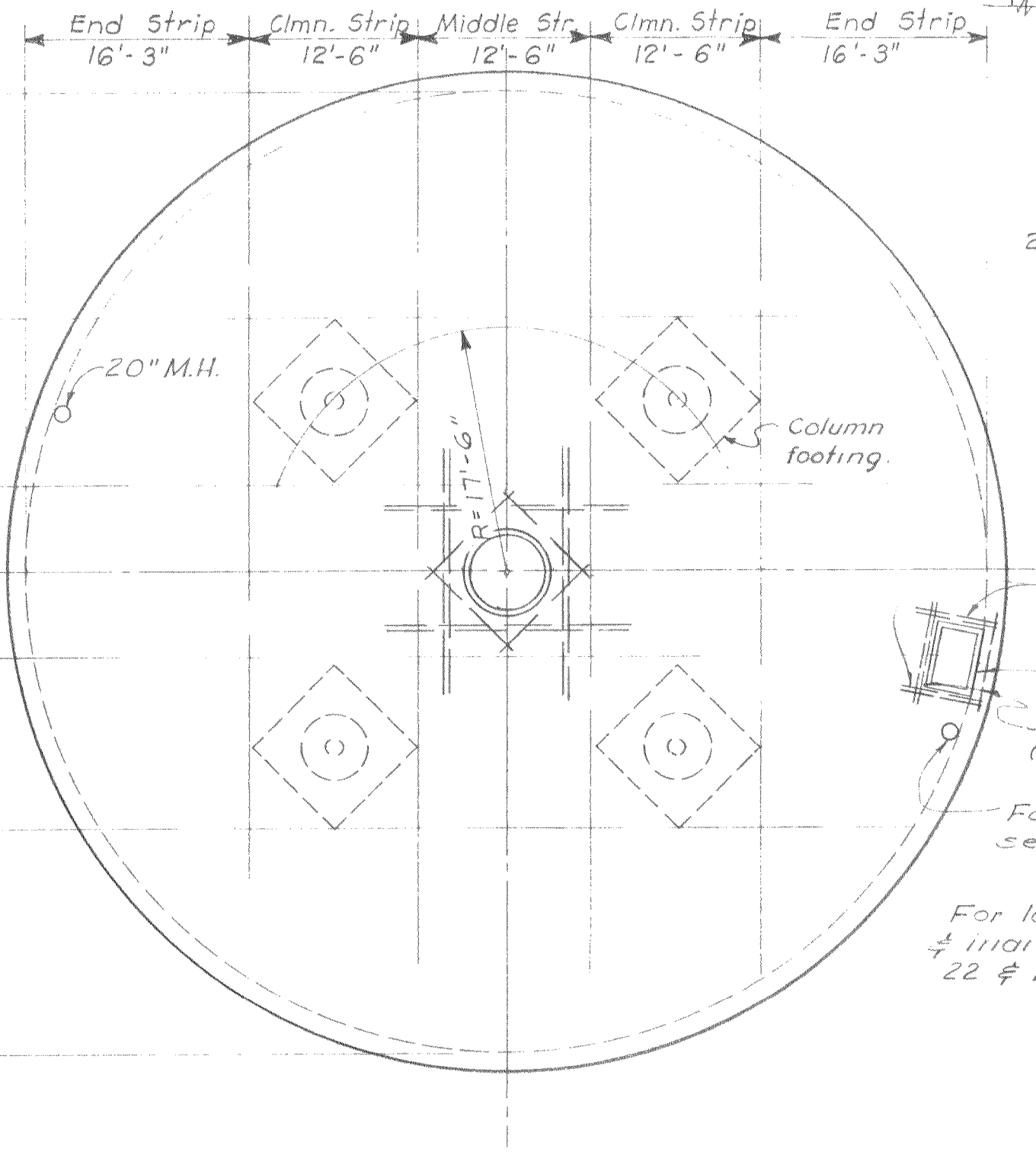
COLUMN STRIP
Scale: 3/8" = 1'-0"

4 Extra #5 x 7'-0" lg. (Typ) top & bottom, total of 8.
- Overflow box.
3 Extra #5 x 8'-0" lg. (Typ) Top & bottom, total of 6.
For extra stl. @ M.H. see Sht. 23.
For location of overflow box & manholes see Shts. 22 & 26

Note:
All reinf. stl. in roof slab to be same in both directions & to be evenly spaced. SH is symmetrical about center line.

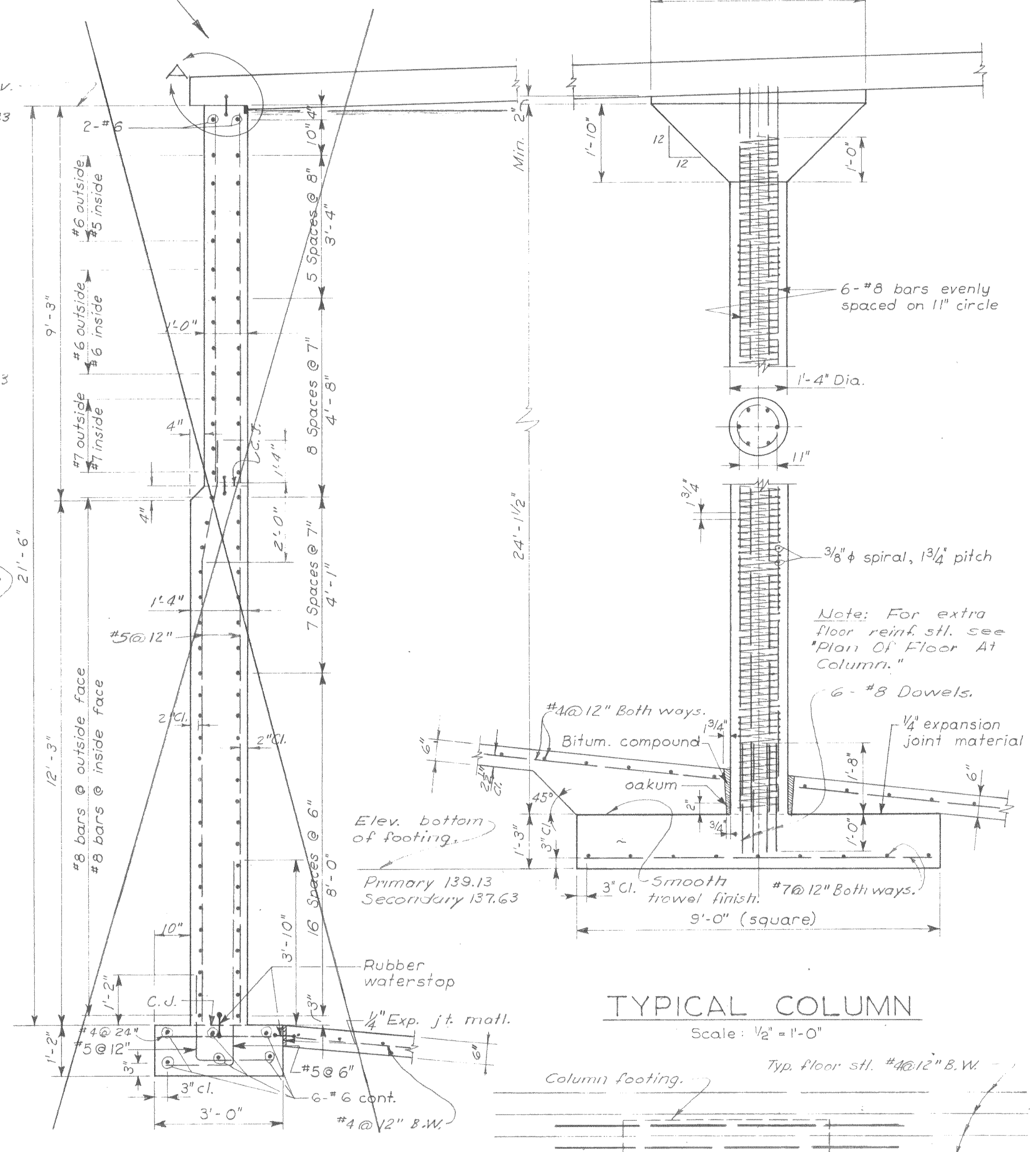


END STRIP
Scale: 3/8" = 1'-0"

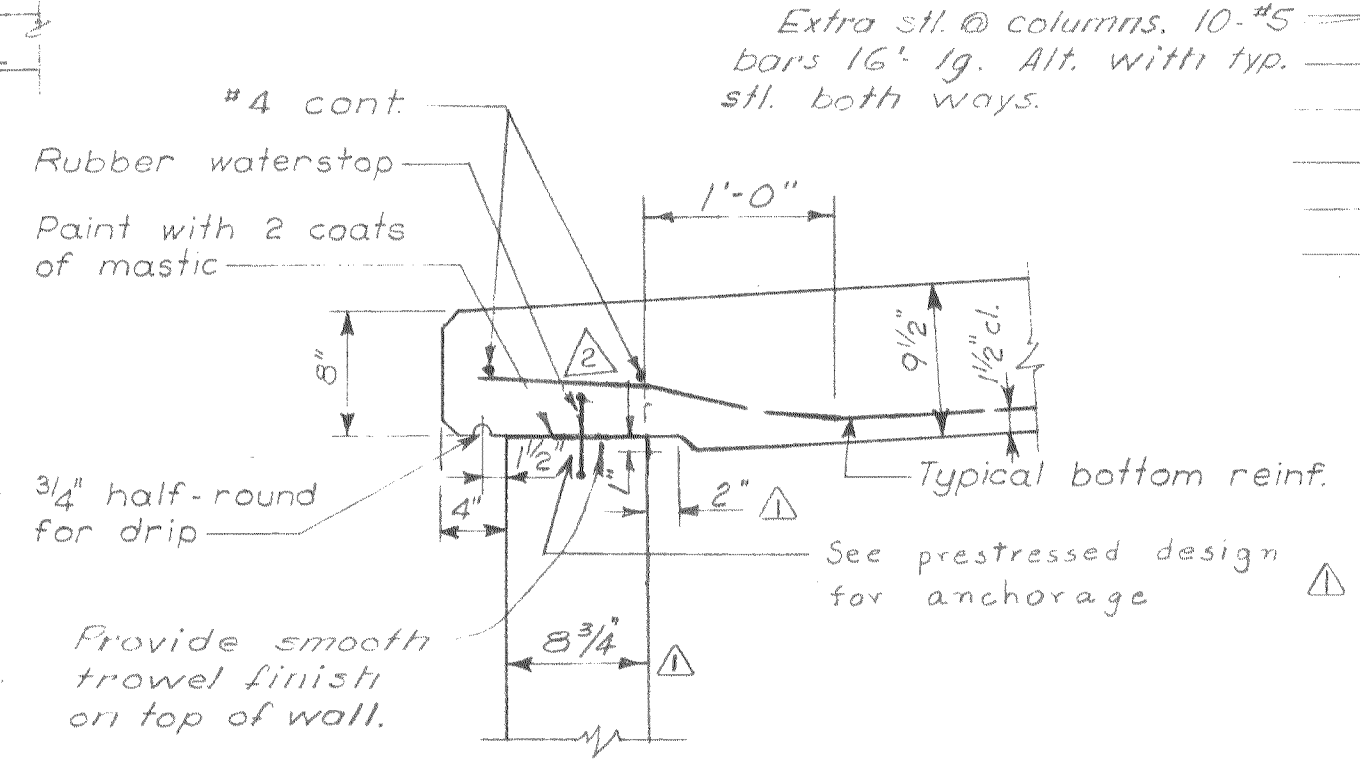


PLAN OF TOP SLAB
Scale: 3/32" = 1'-0"

See prestressed design

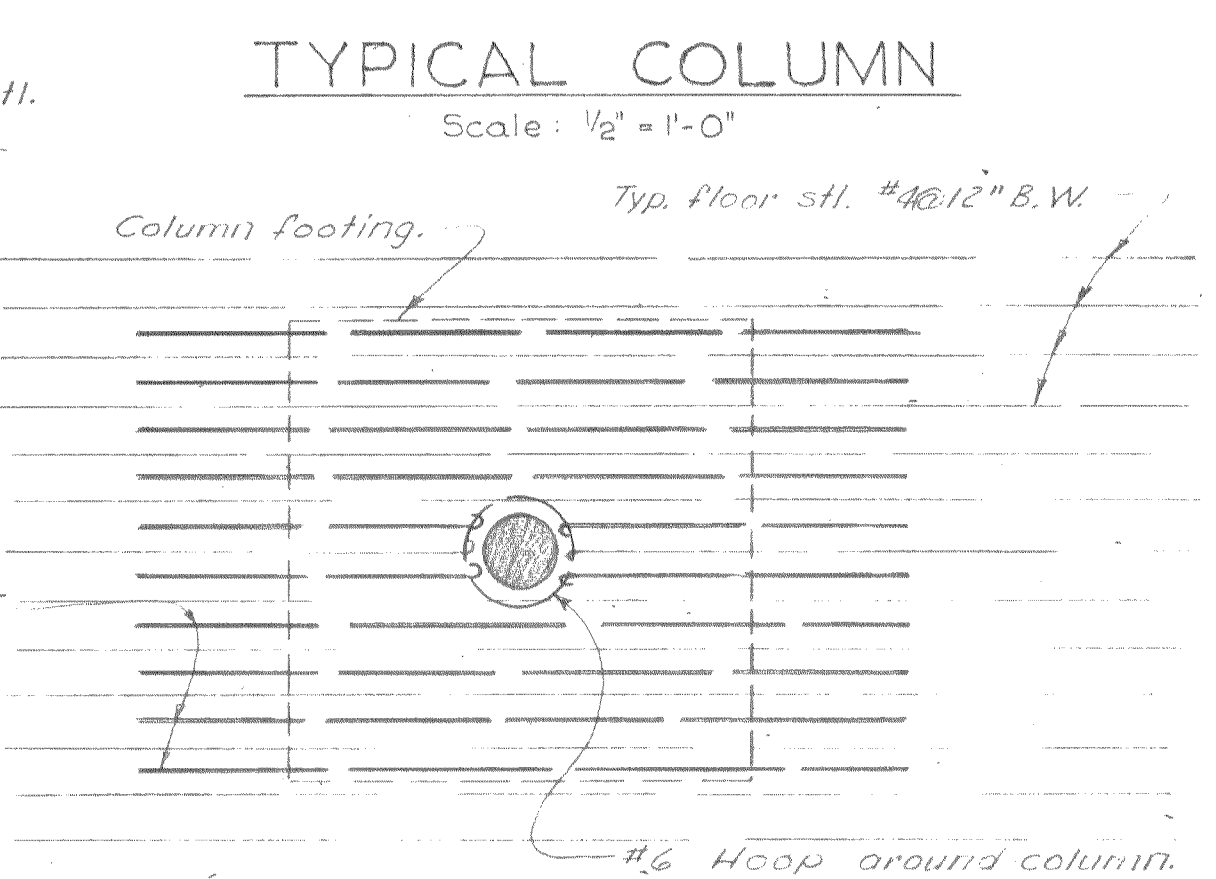


TYPICAL WALL SECTION
Scale: 1/2" = 1'-0"

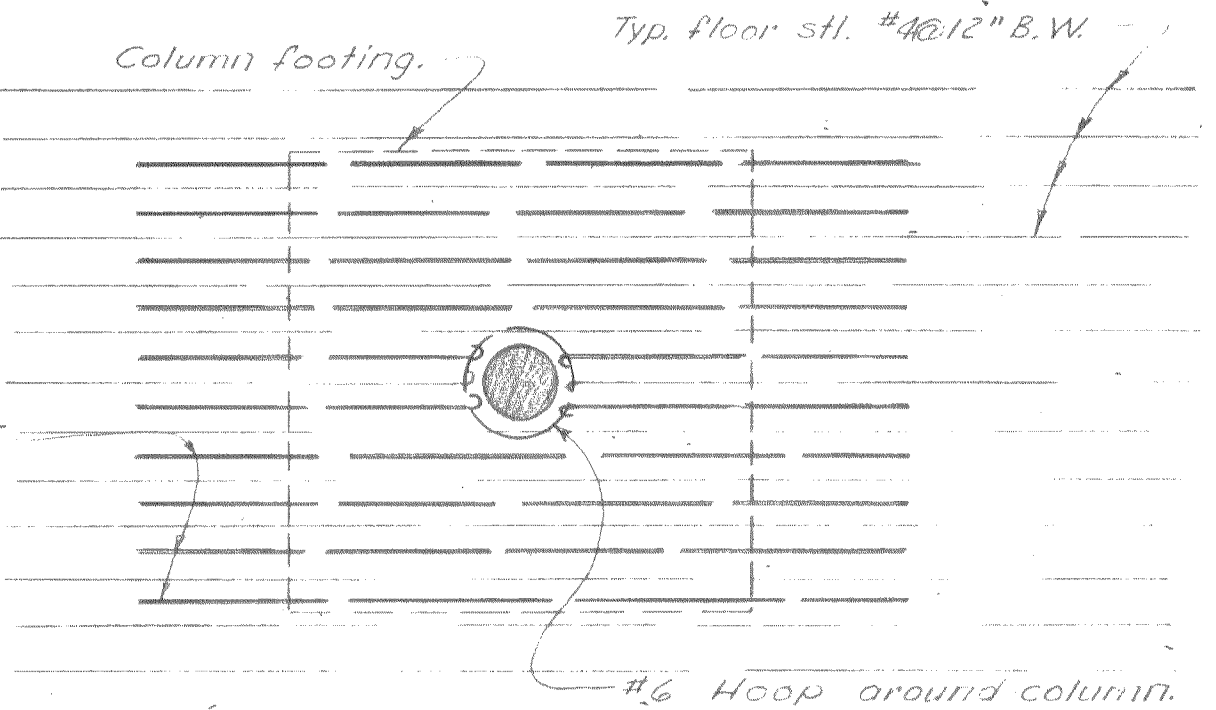


DETAIL A
Scale: 1" = 1'-0"

NOTE:
Contractor may use pre-stressed concrete design for walls in lieu of design shown. Design shall be equivalent to that of Herrick Iron Works, Oakland, & shall be submitted for approval (See Specifications, page 8-3)



TYPICAL COLUMN
Scale: 1/2" = 1'-0"



PLAN OF FLOOR AT COLUMN
AS BUILT

REV	DATE	DESCRIPTION	BY	APP
3-16		Changed steel.	RAB	PK
8-13-54		REVISED DUE TO PRESTRESSED DESIGN	G.L.	LRB
CITY OF OROVILLE BUTTE COUNTY, CALIFORNIA SEWAGE TREATMENT PLANT DIGESTION TANKS-STRUCTURAL				
DEWANTE AND STOWELL SANITARY AND CIVIL ENGINEERS - SACRAMENTO, CALIFORNIA				
DRAWN: H.N.H.	CHECKED: R.H.D.	SUBMITTED: [Signature]	APPROVED: [Signature]	SHEET NO. 25 OF 36
DATE: Mar. 1959				