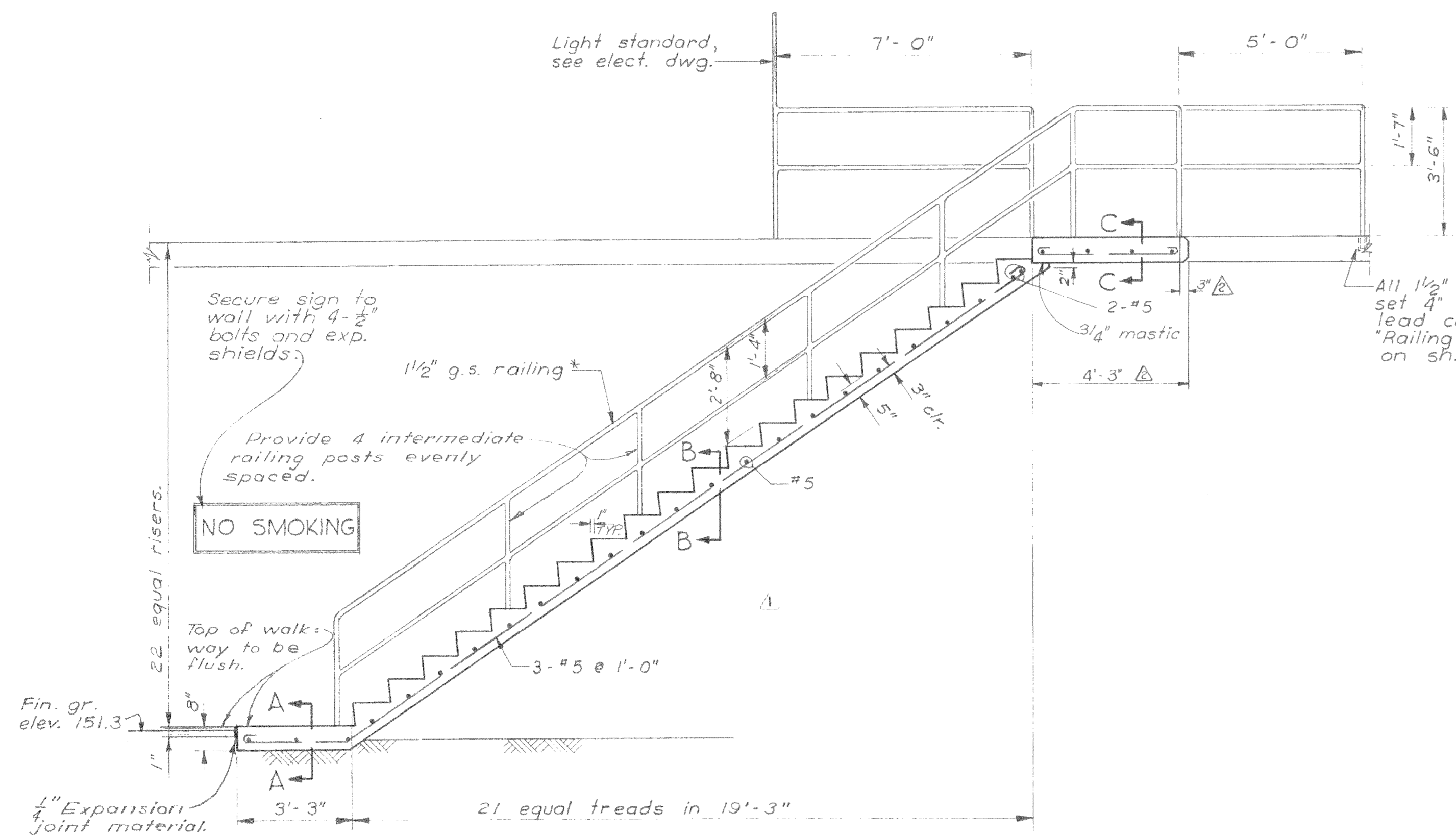
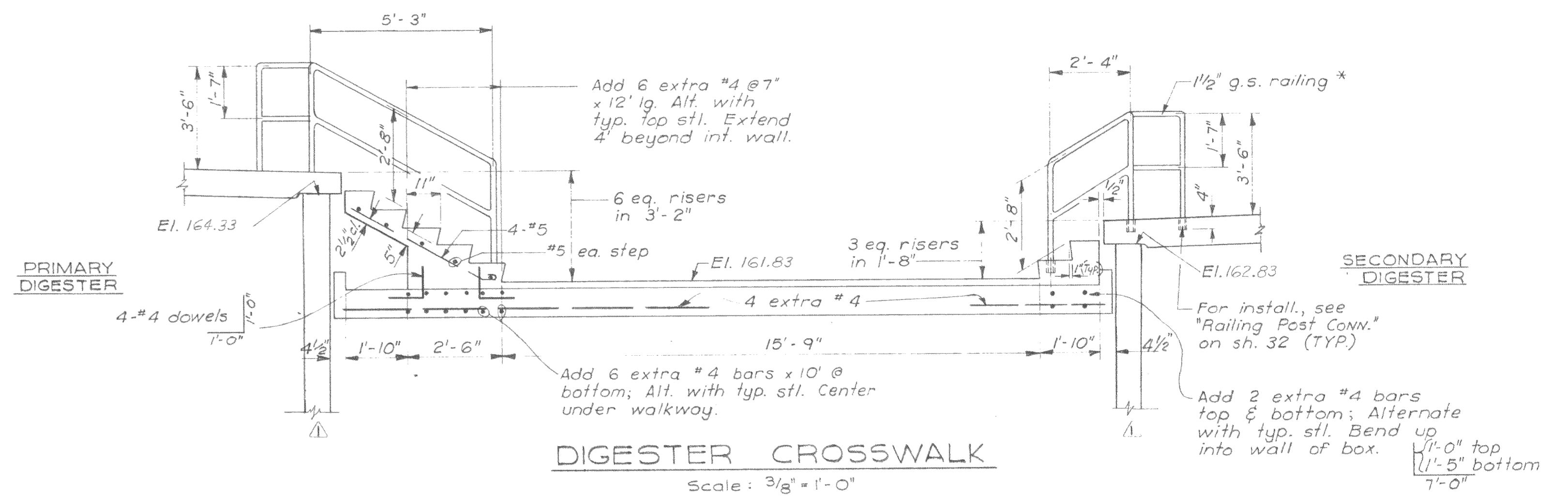
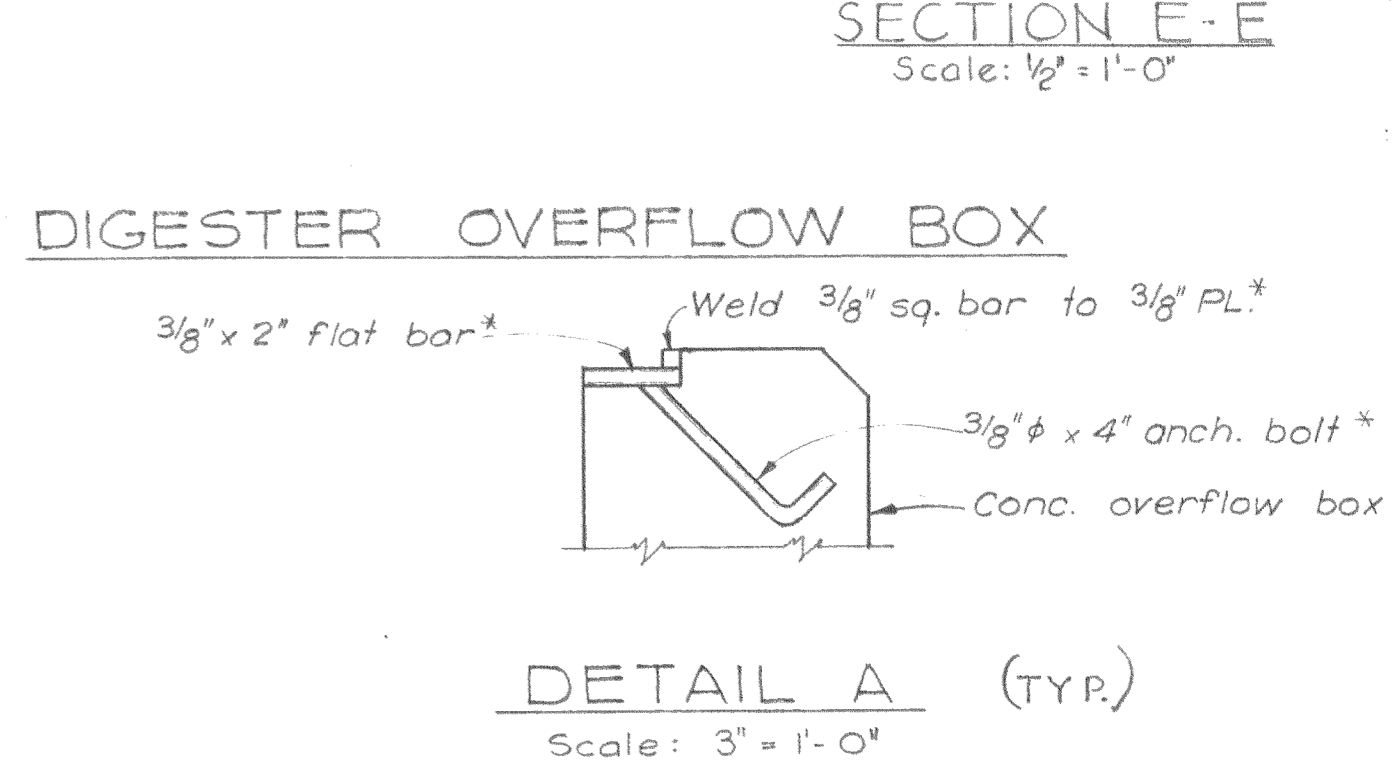
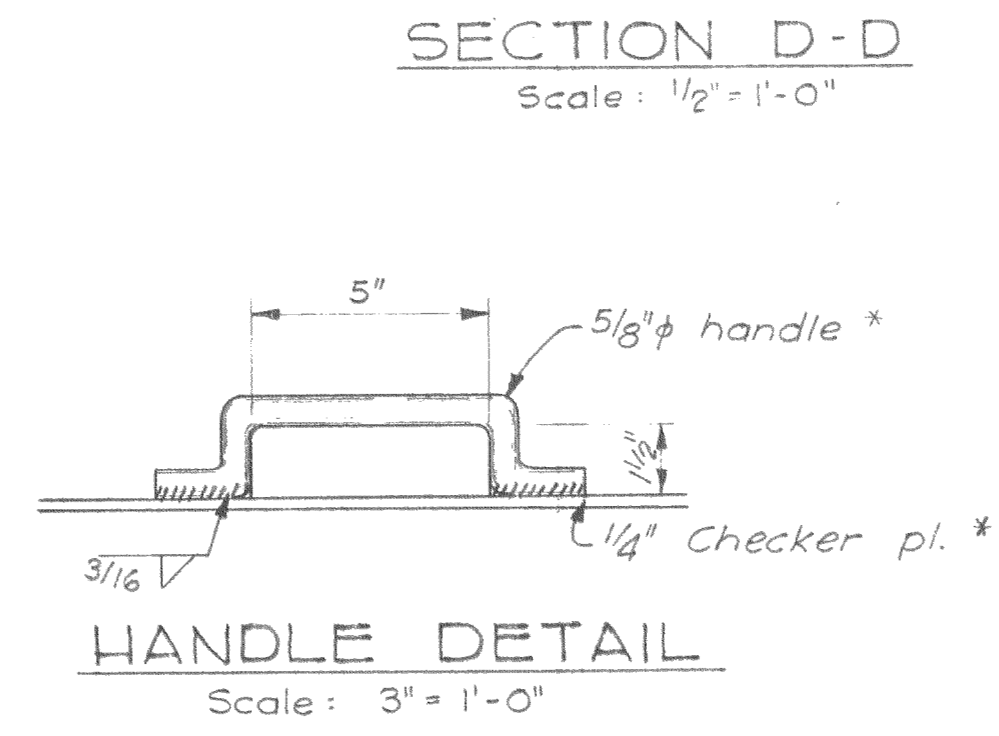
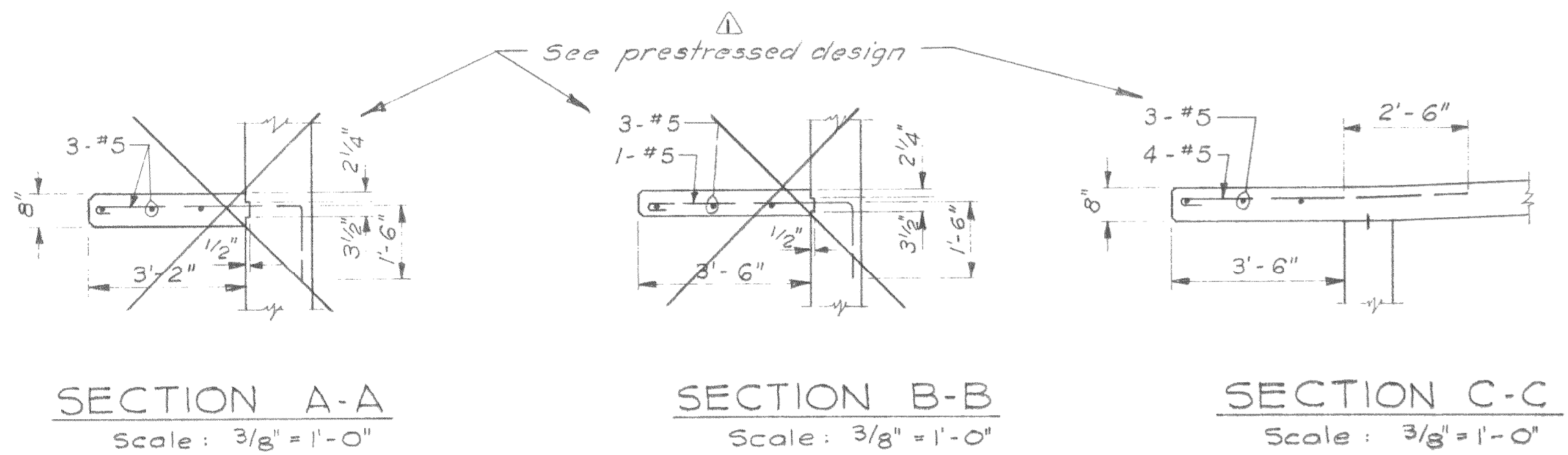
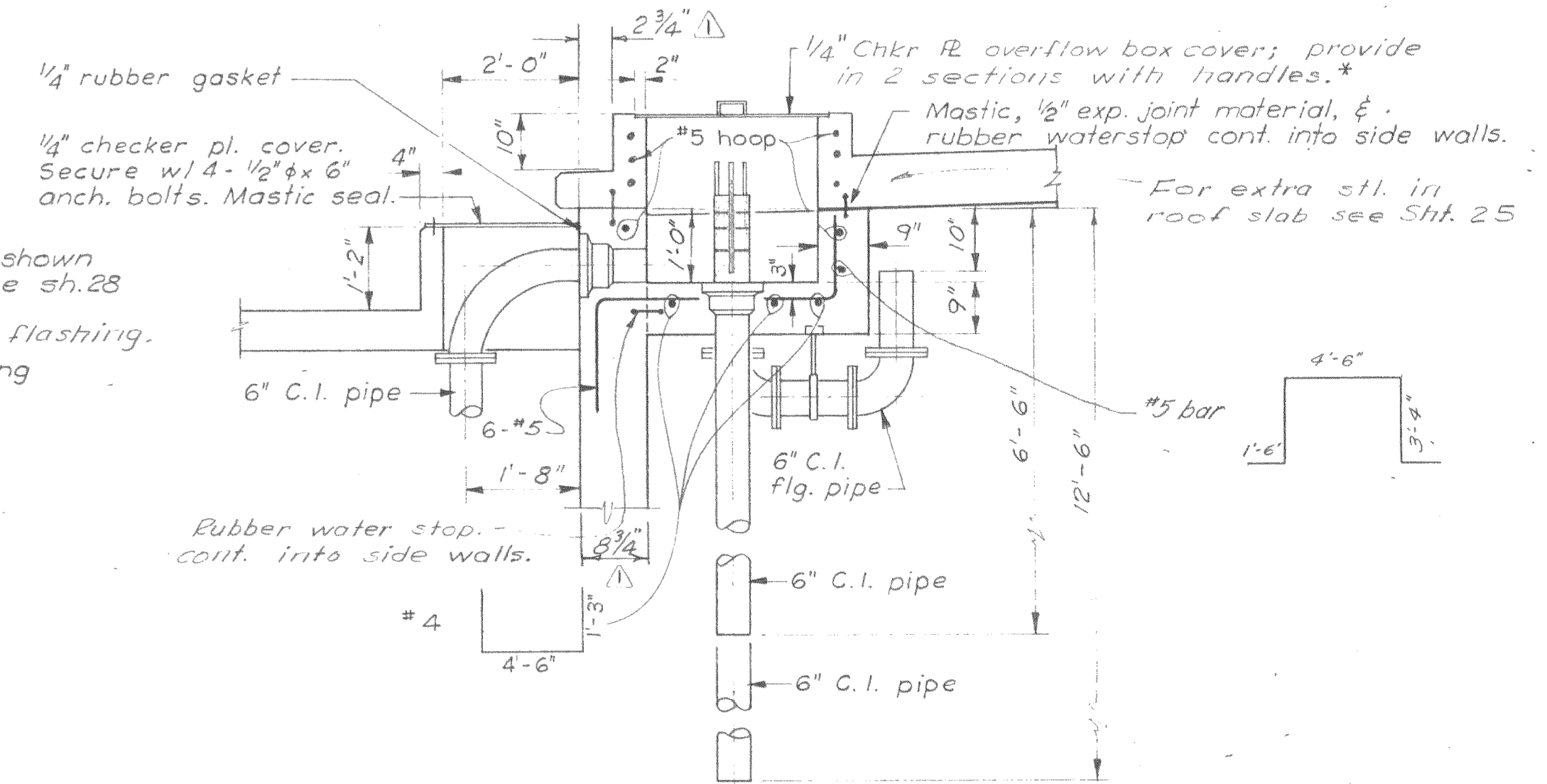
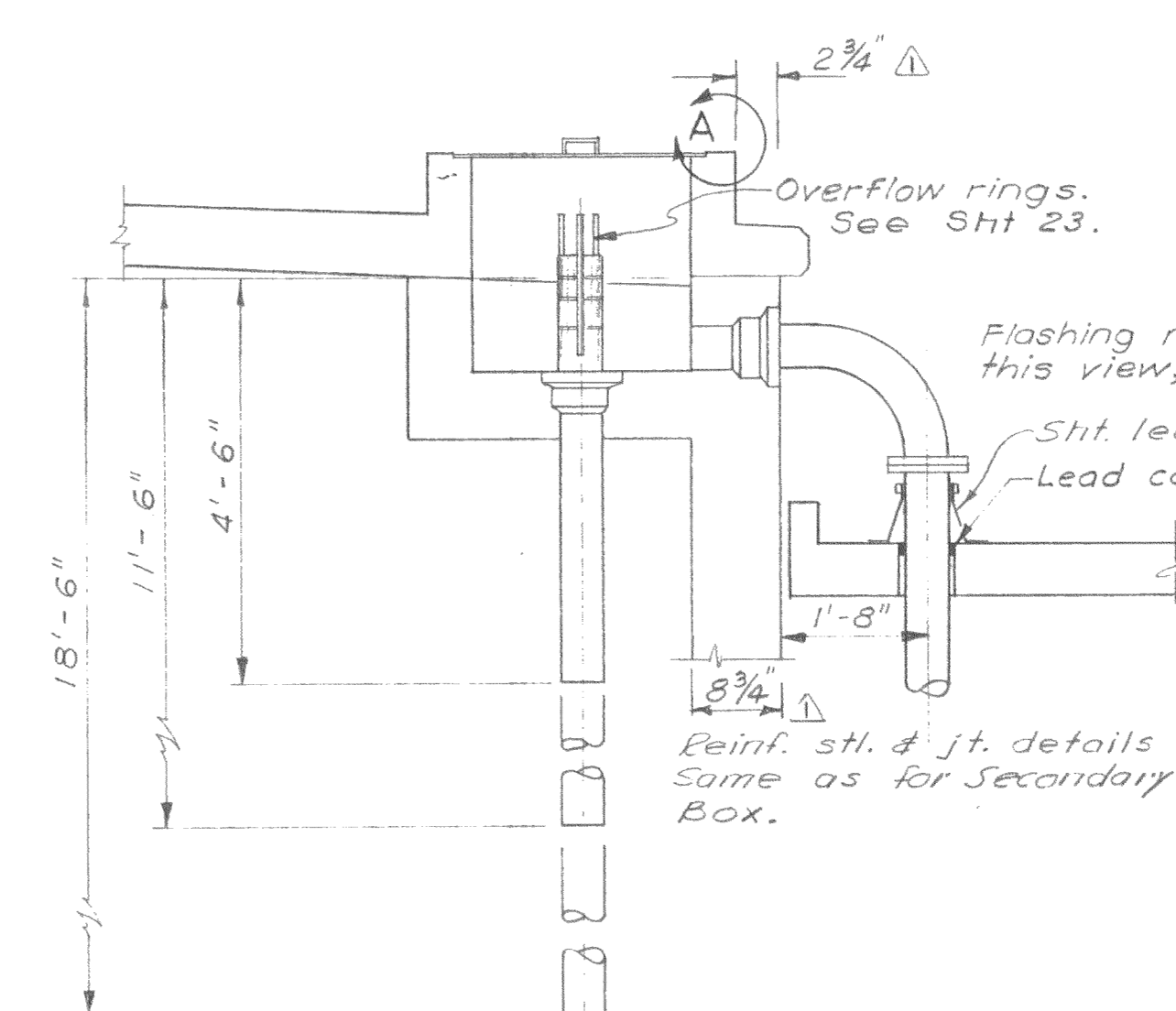


**PLAN OF DIGESTER STAIRS**  
Scale: 3/8" = 1'-0"



**PLAN AT PRIMARY DIGESTER**  
Scale: 1/2" = 1'-0"

**PLAN AT SECONDARY DIGESTER**  
Scale: 1/2" = 1'-0"



Δ AB 5-1-51	CHANGED & ADDED DIMENSIONS	RAB	ZAB
Δ 8-15-59	REVISED DUE TO PRESTRESSED DESIGN	G.L.	ABR
REV	DATE	DESCRIPTION	BY
CITY OF OROVILLE BUTTE COUNTY, CALIFORNIA SEWAGE TREATMENT PLANT DIGESTION TANKS MISCELLANEOUS DETAILS			
DEWANTE AND STOWELL SANITARY AND CIVIL ENGINEERS - SACRAMENTO, CALIFORNIA			
DRAWN: HNH	SUBMITTED: [Signature]	SHEET NO. 24	
CHECKED: R.H.D.	APPROVED: [Signature]	OF 36	
DATE: Mar 1959			