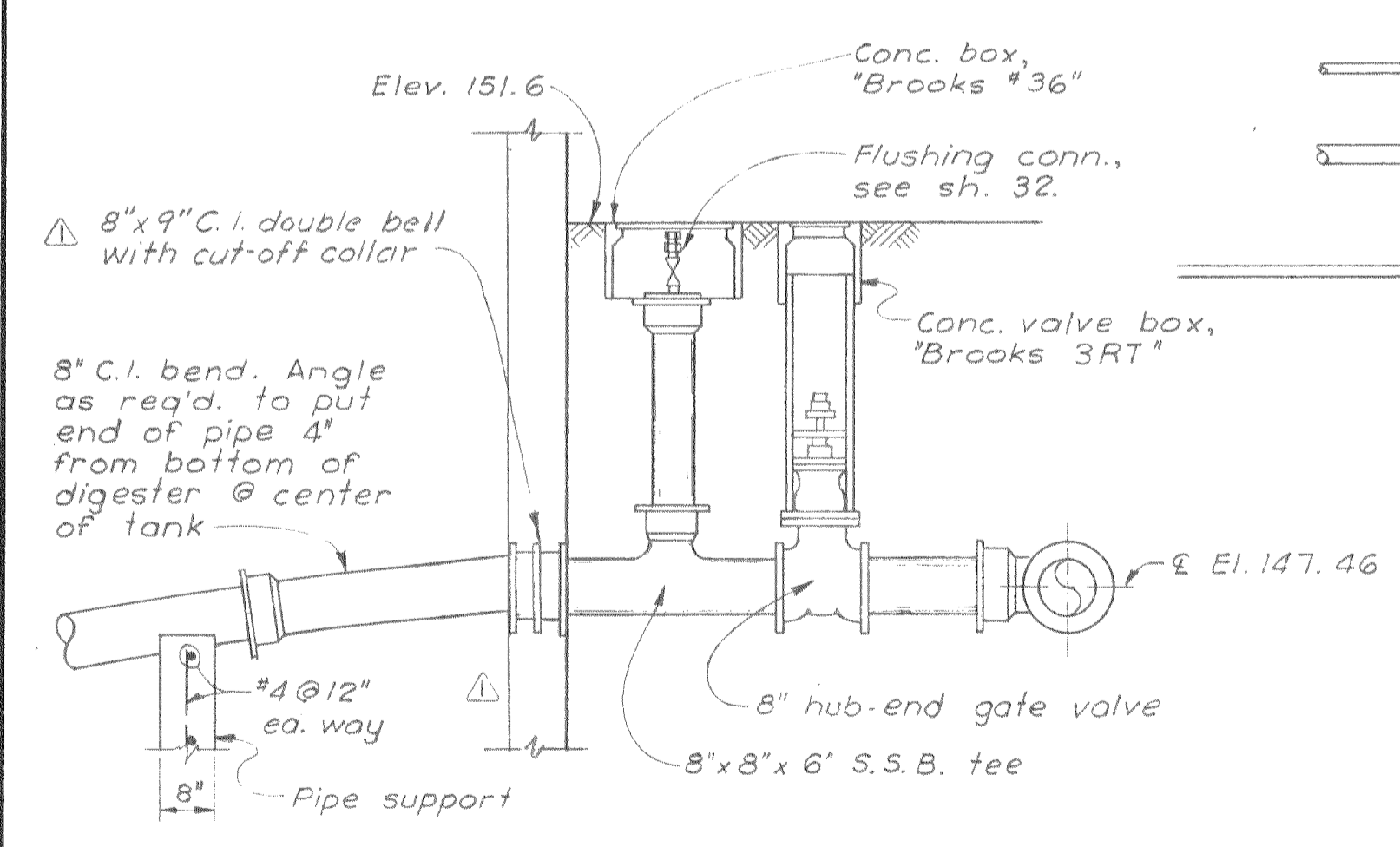
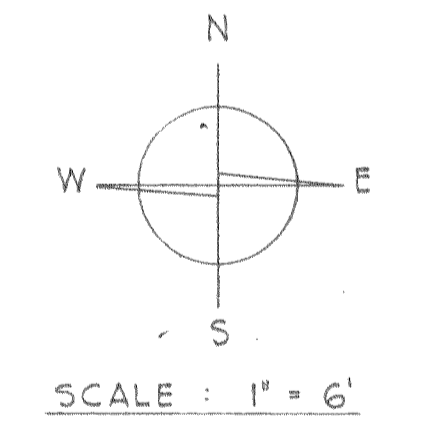
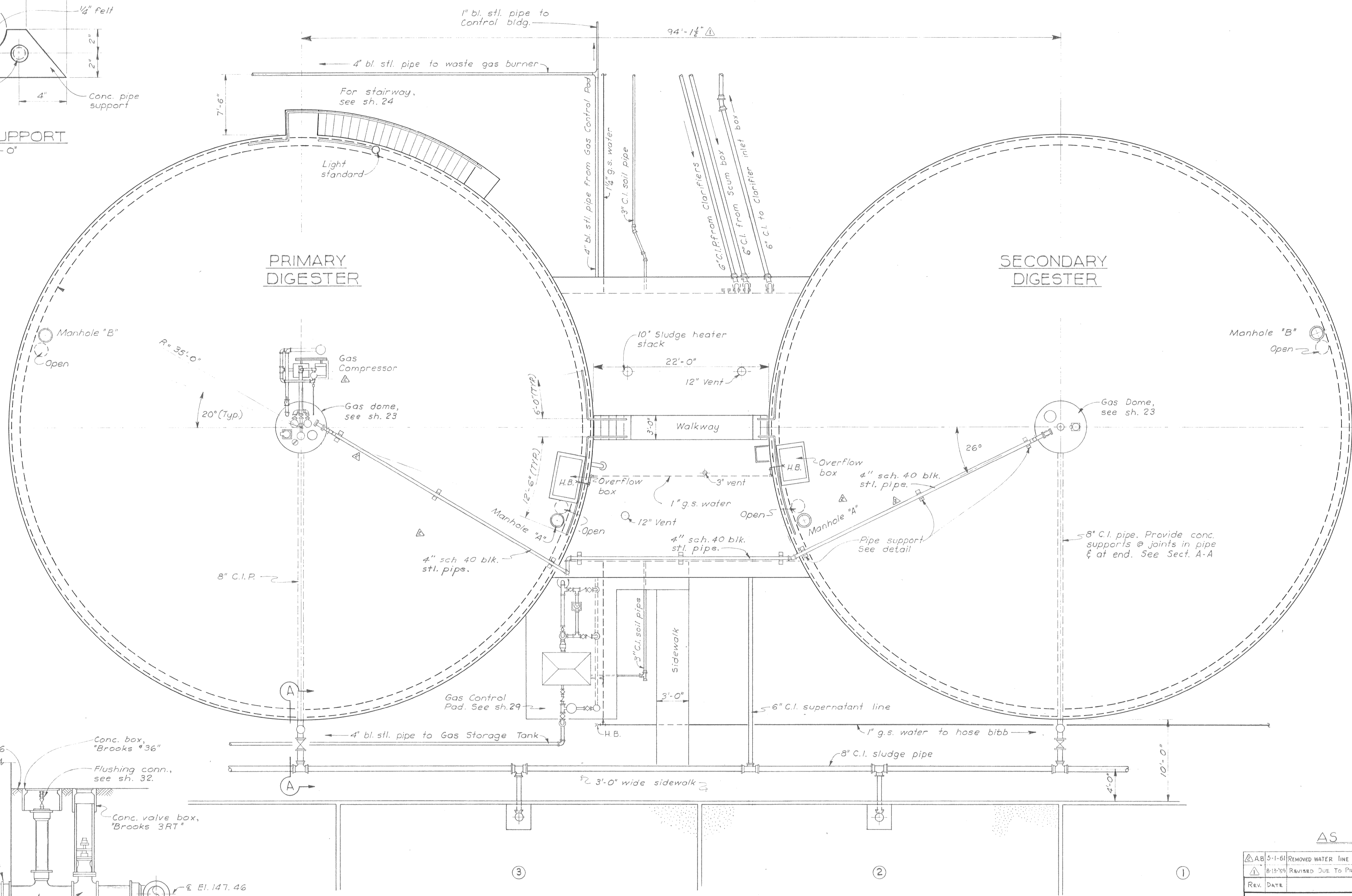


ROOF PIPE SUPPORT
Scale: 3" = 1'-0"



SECTION A - A
Scale: 1/2" = 1'-0"

SLUDGE DRYING BEDS

AS BUILT

AB	5-1-61	REMOVED WATER LINE & RELOCATED GAS COMPRESSOR	RAB	AB
AB	8-15-59	REVISED DUE TO PRESTRESSED DESIGN	G.L.	AB
REV.	DATE	DESCRIPTION	BY	APP.
CITY OF OROVILLE BUTTE COUNTY, CALIFORNIA SEWAGE TREATMENT PLANT DIGESTION TANKS PLAN				
DEWANTE AND STOWELL SANITARY AND CIVIL ENGINEERS - SACRAMENTO, CALIFORNIA				
DRAWN: H.H.	SUBMITTED:	<i>[Signature]</i>	SHEET NO.	22
CHECKED: R.H.D.	APPROVED:	<i>[Signature]</i>	OF	36
DATE: Mar. 1959				