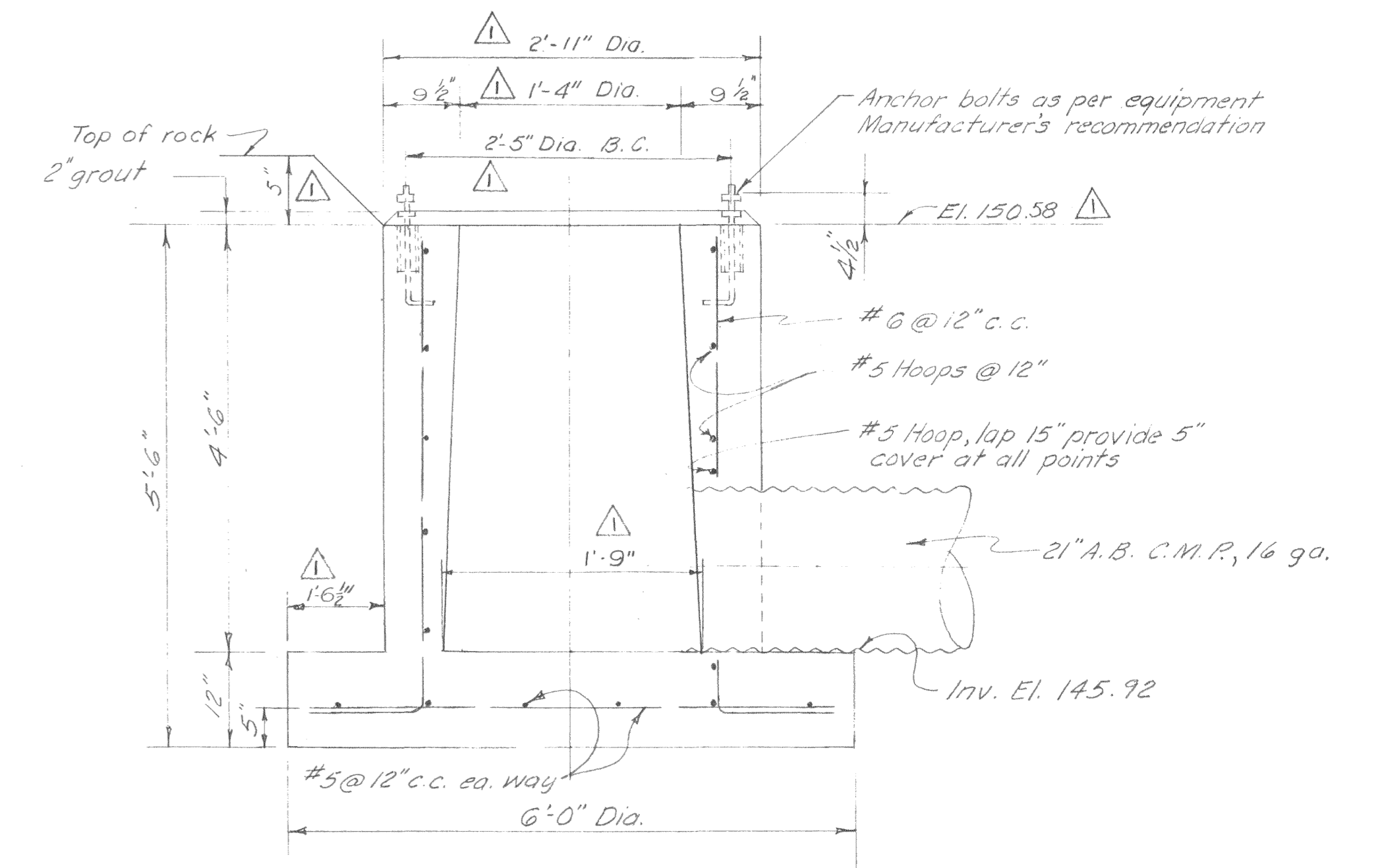


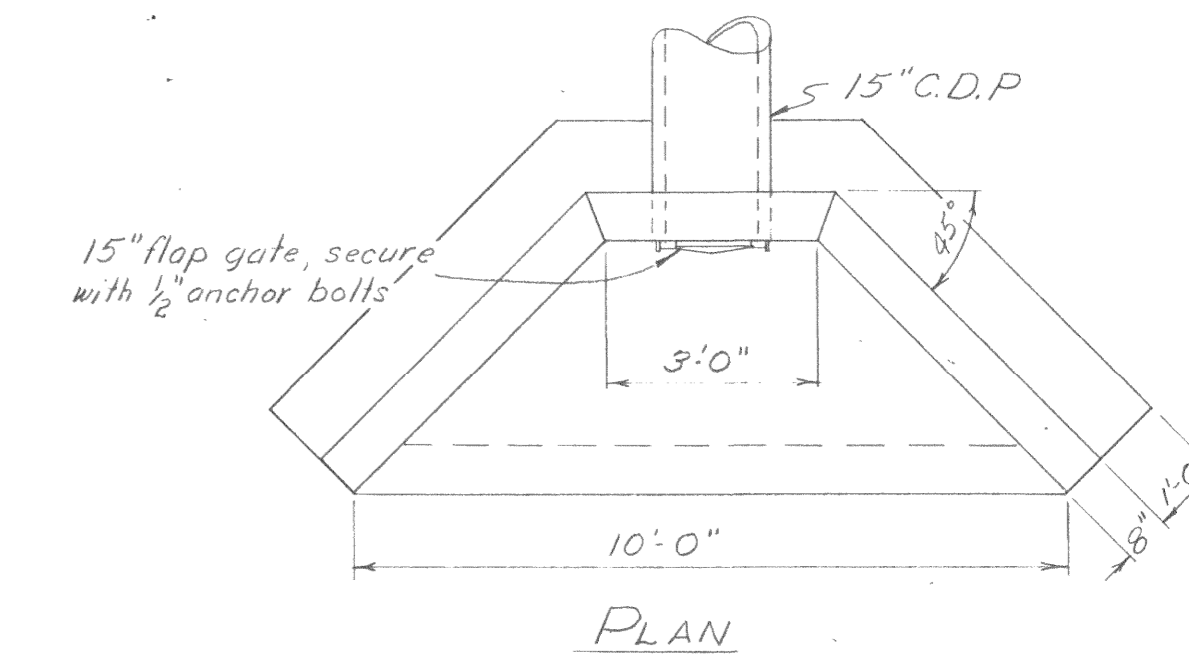
PLAN OF FILTER AREA

Scale 1/8" = 1'-0"

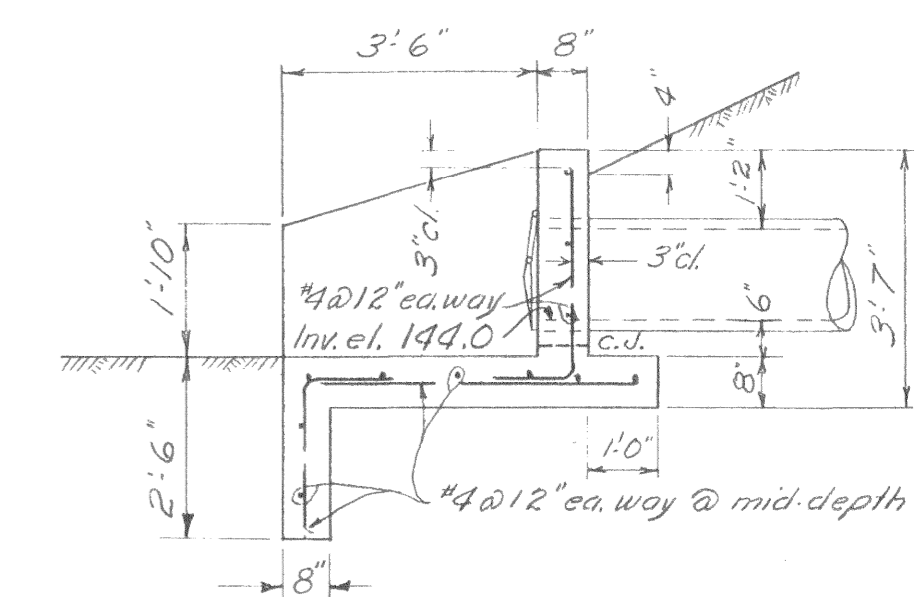


SECTION CENTER PIER

No Scale



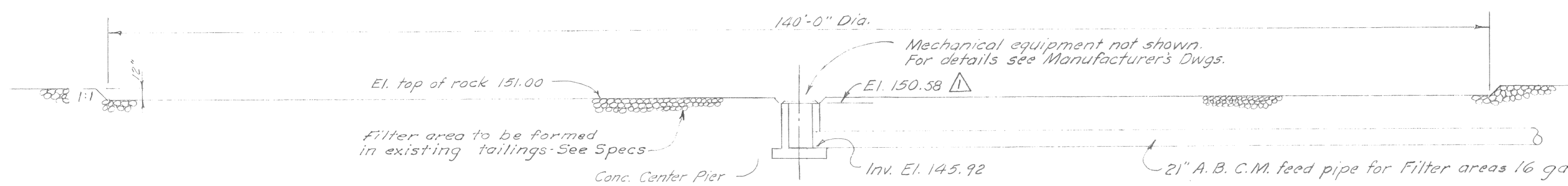
PLAN



SECTION

DETAIL OF CONC. HEADWALL

Scale 3/8" = 1'-0"



SECTION A-A

Scale 1/8" = 1'-0"

CITY OF OROVILLE
 BUTTE COUNTY, CALIFORNIA
 SEWAGE TREATMENT PLANT
 FILTER AREAS

DEWANTE AND STOWELL
 SANITARY AND CIVIL ENGINEERS - SACRAMENTO, CALIFORNIA

AS BUILT

△ A.B.	5-1-61	Changed elevations. Revised center pier & dim's.	R.A.B.	PAO	DRAWN: G.L.	SUBMITTED: [Signature]	SHEET NO. 21
REVISION	DATE	DESCRIPTION	BY	APP	CHECKED: R.H.D.	APPROVED: [Signature]	OF 36
					DATE: Mar. 1959		