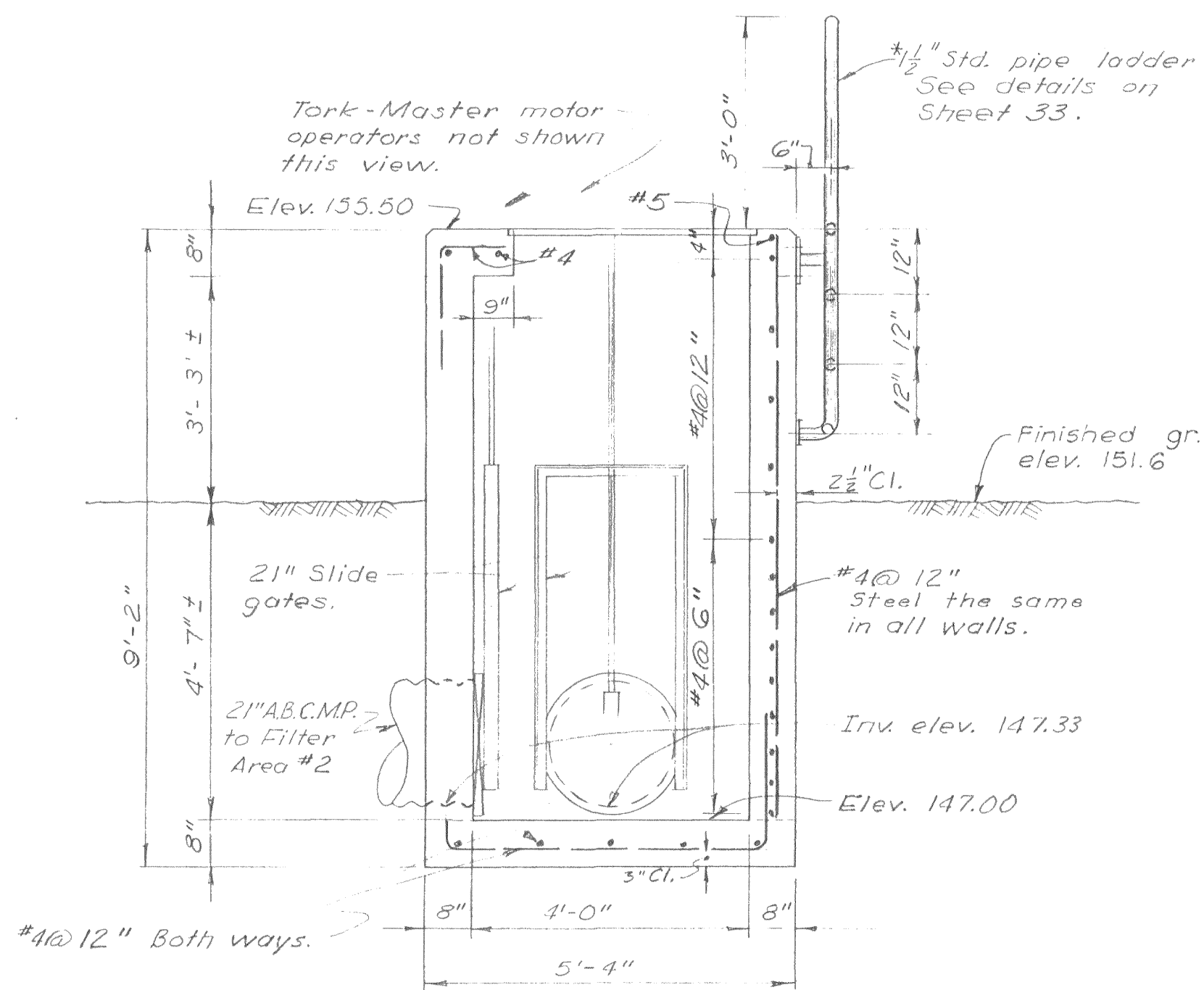
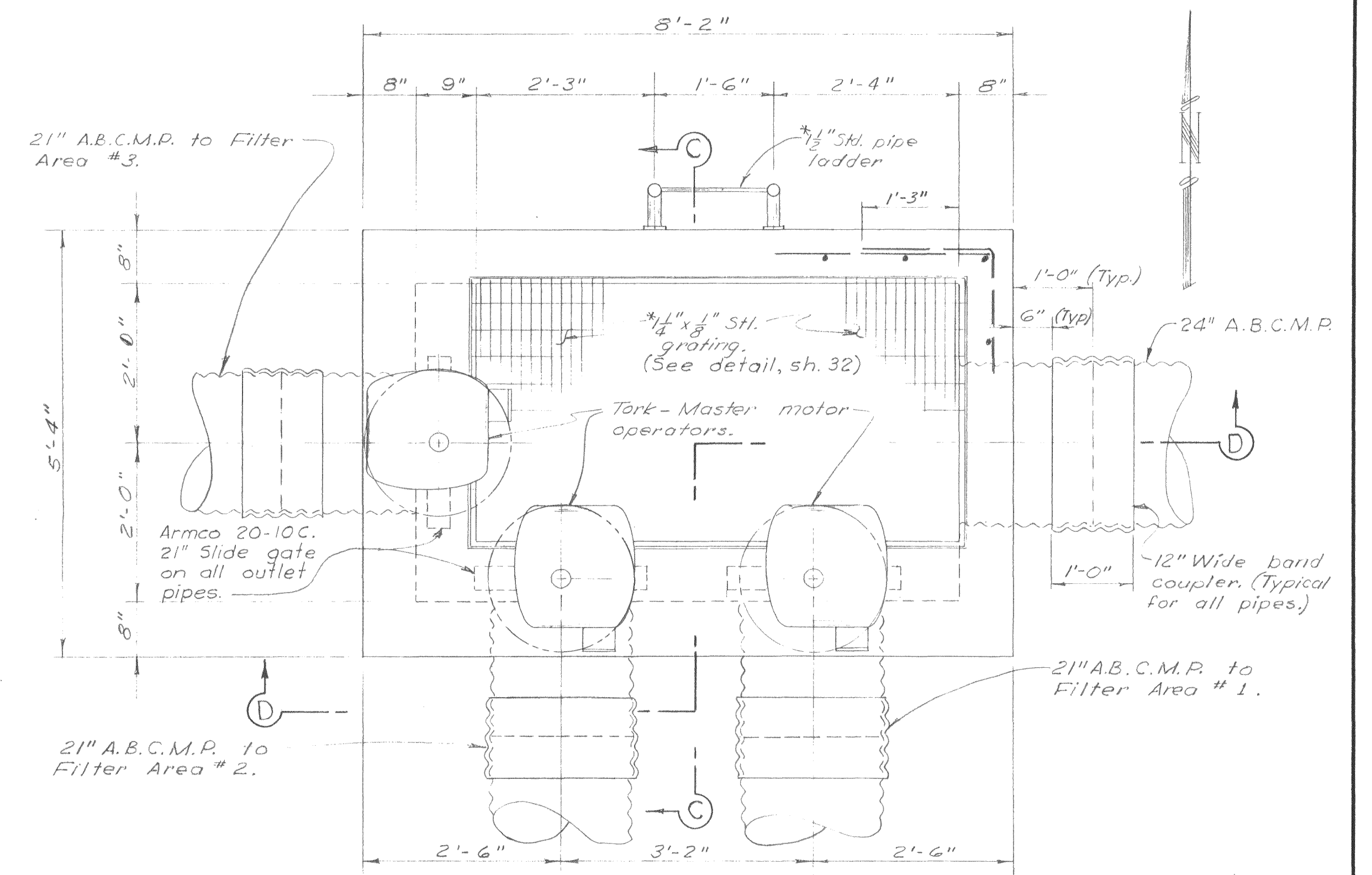


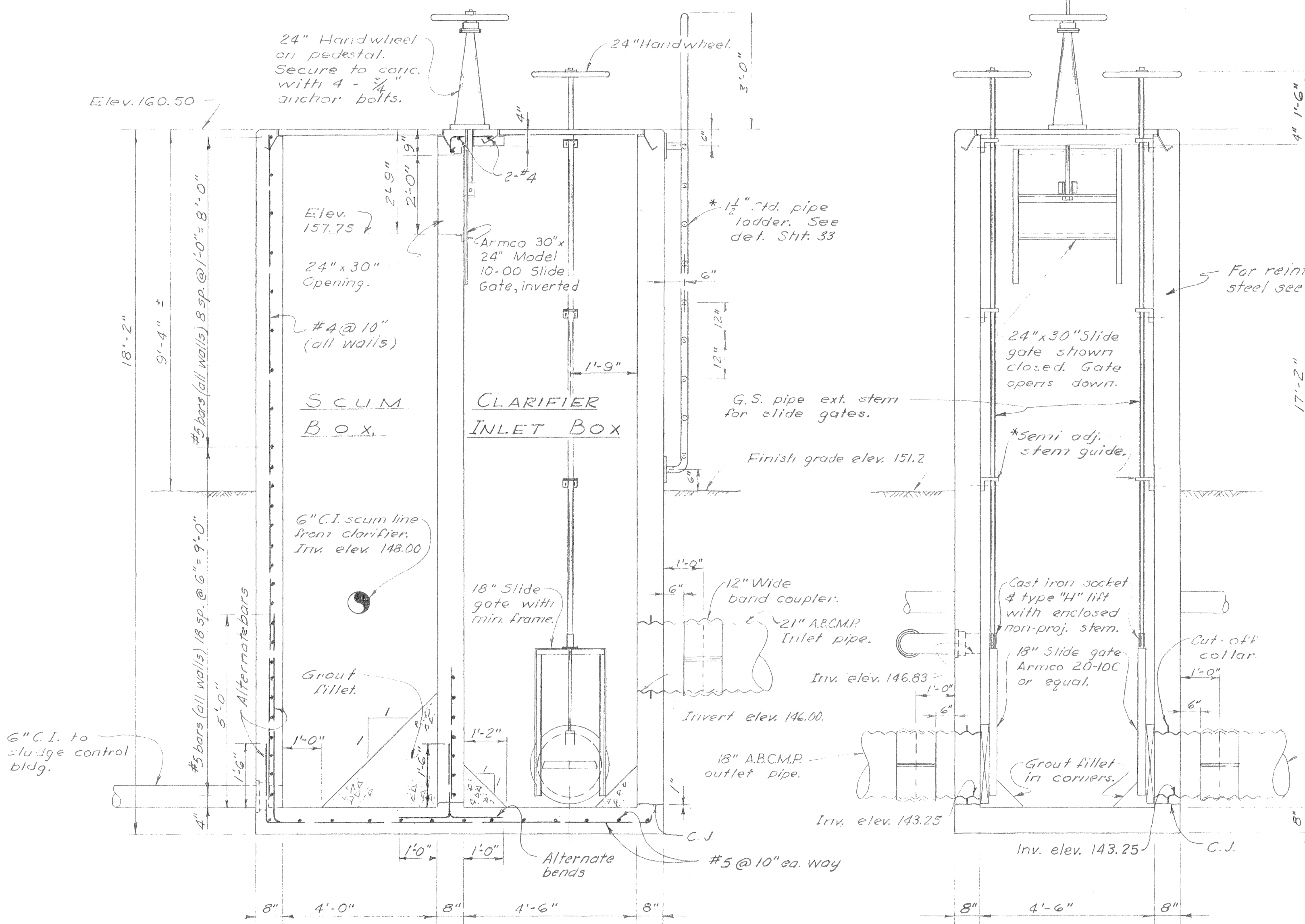
CLARIFIER INLET & SCUM BOX
Scale: 1/2" = 1'-0"



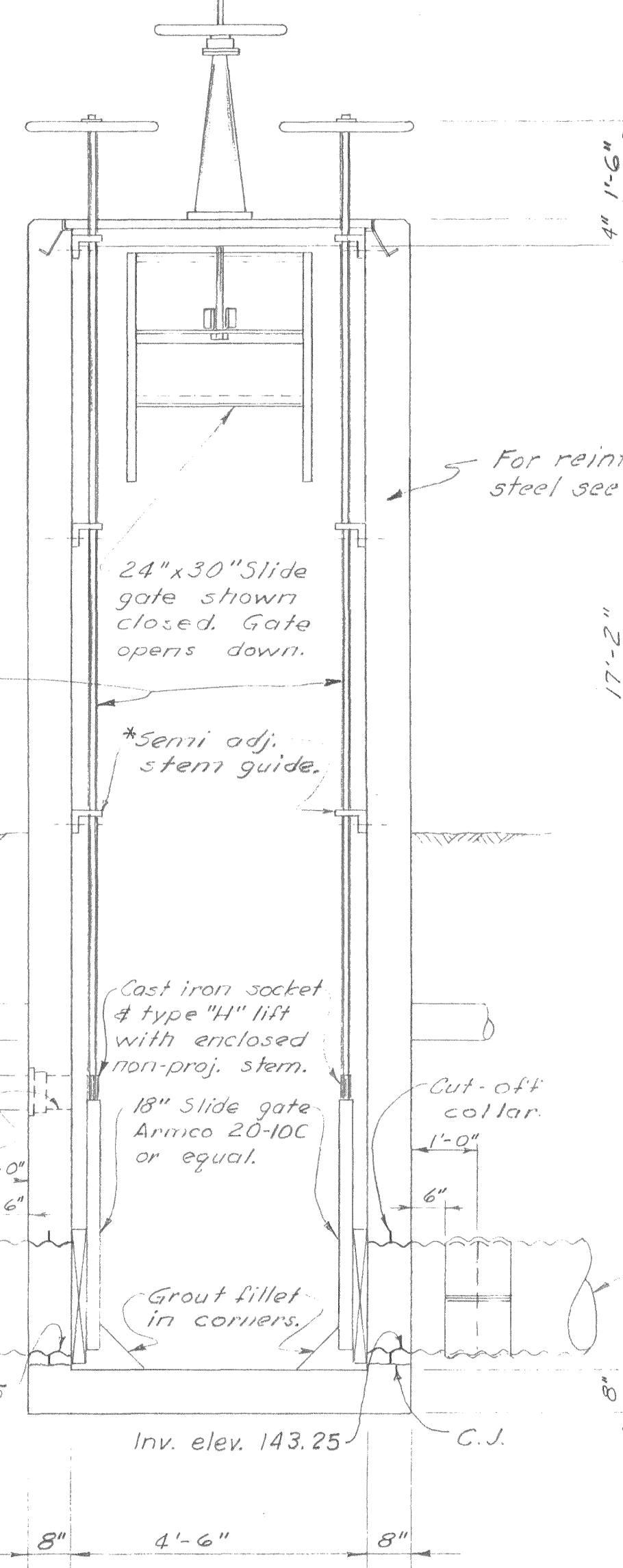
SECTION C-C
Scale: 1/2" = 1'-0"



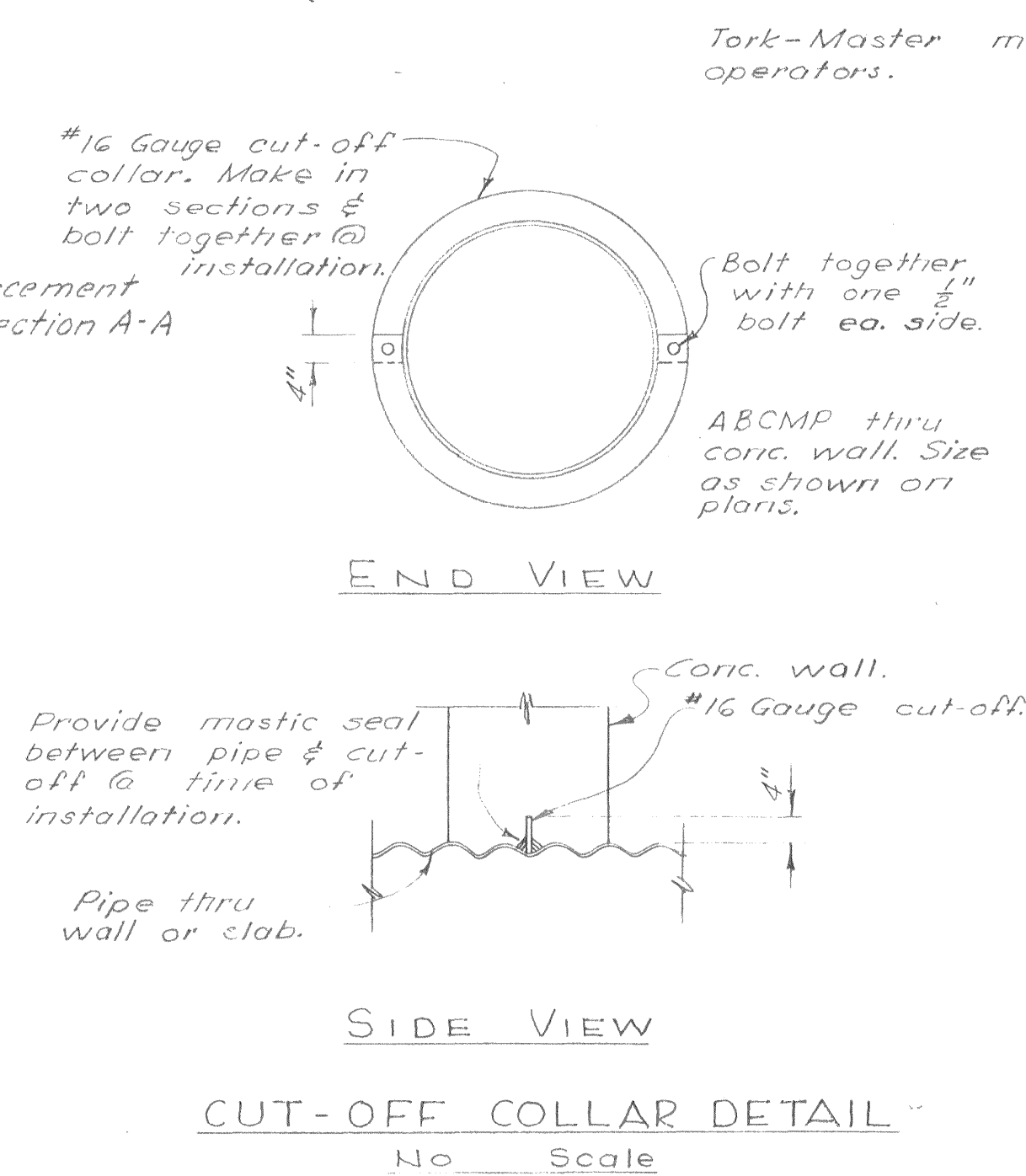
PLAN
FILTER DISTRIBUTOR BOX
Scale: 1/4" = 1'-0"



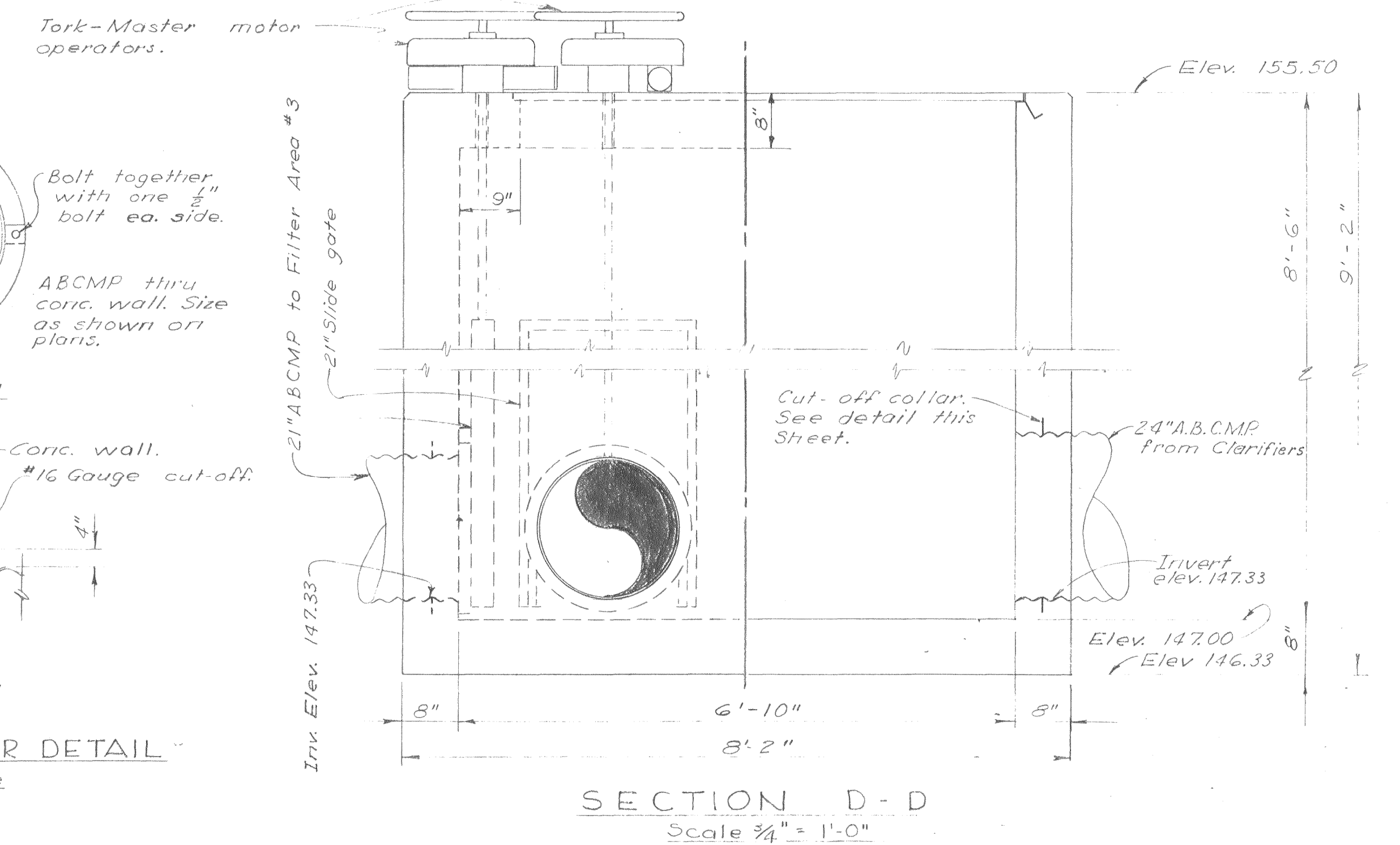
SECTION A-A
Scale: 1/2" = 1'-0"



SECTION B-B
Scale: 1/2" = 1'-0"



CUT-OFF COLLAR DETAIL
No Scale



SECTION D-D
Scale: 1/4" = 1'-0"

NOTE:
All A.B.C.M.P. to be #16 ga.

AS BUILT

CITY OF OROVILLE BUTTE COUNTY, CALIFORNIA		
SEWAGE TREATMENT PLANT INLET & DISTRIBUTOR BOXES		
DEWANTE AND STOWELL SANITARY AND CIVIL ENGINEERS - SACRAMENTO, CALIFORNIA		
DRAWN: J.J.	SUBMITTED: <i>R. Dewante</i>	SHEET NO.
CHECKED: R.H.D.	APPROVED: <i>R.H.D.</i>	20
DATE: Mar. 1959		OF 36