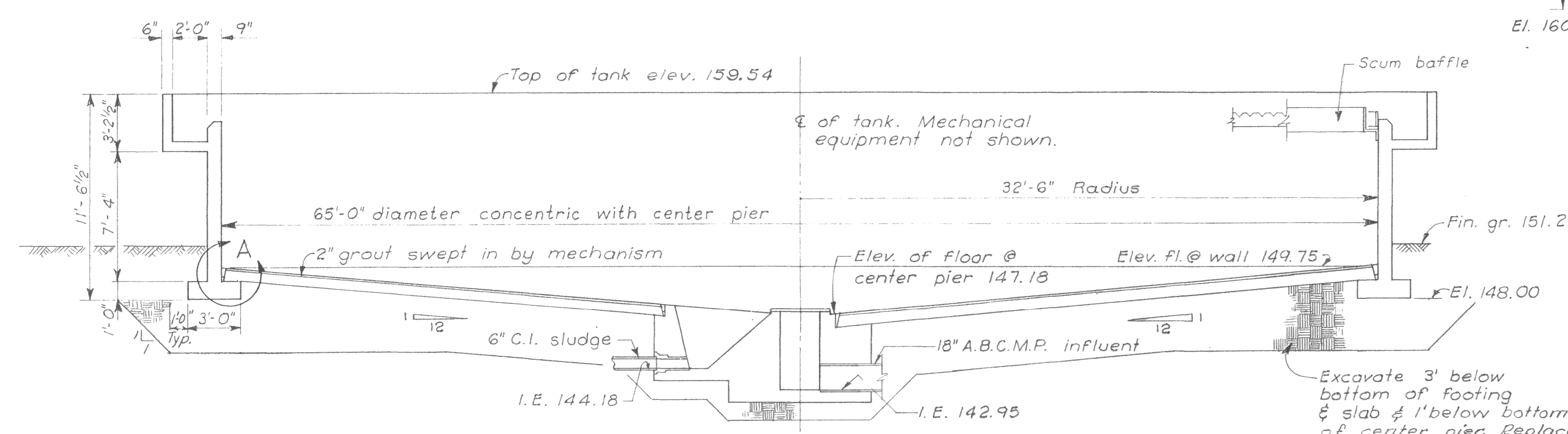
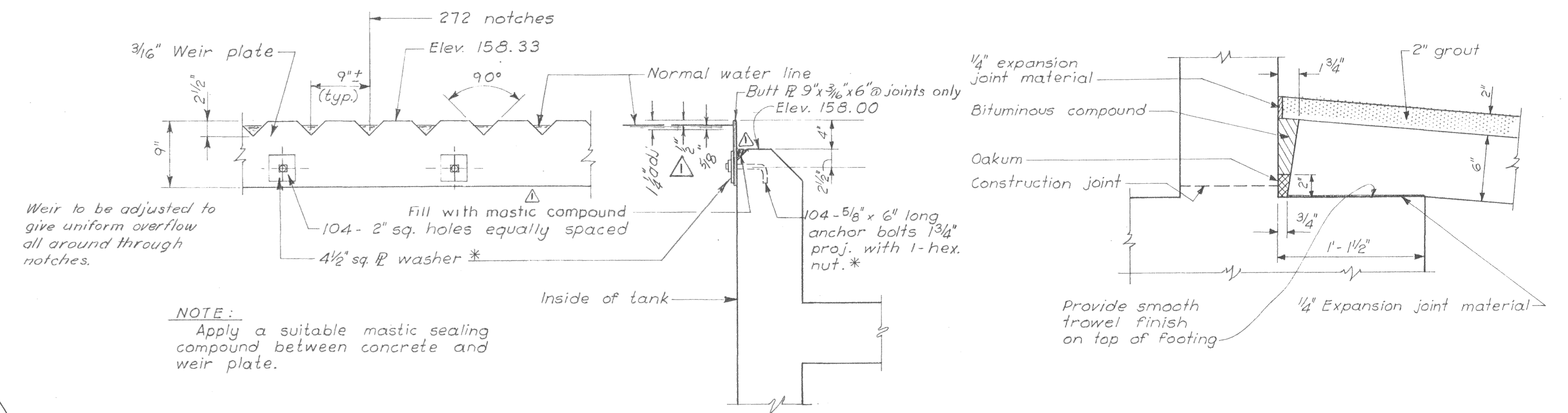


**PLAN**  
CLARIFIER NO. 2 SHOWN, NO. 1 IDENTICAL BUT OPPOSITE HAND  
Scale: 3/16" = 1'-0"

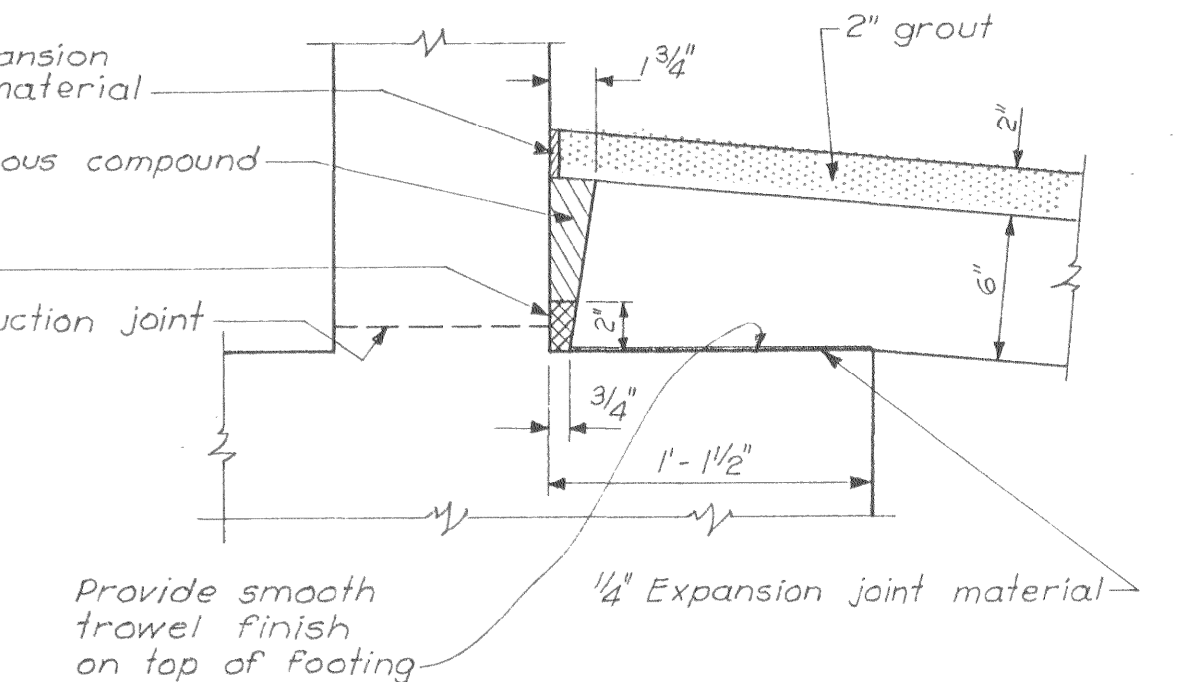


**SECTION "A-A"**  
Scale: 3/16" = 1'-0"

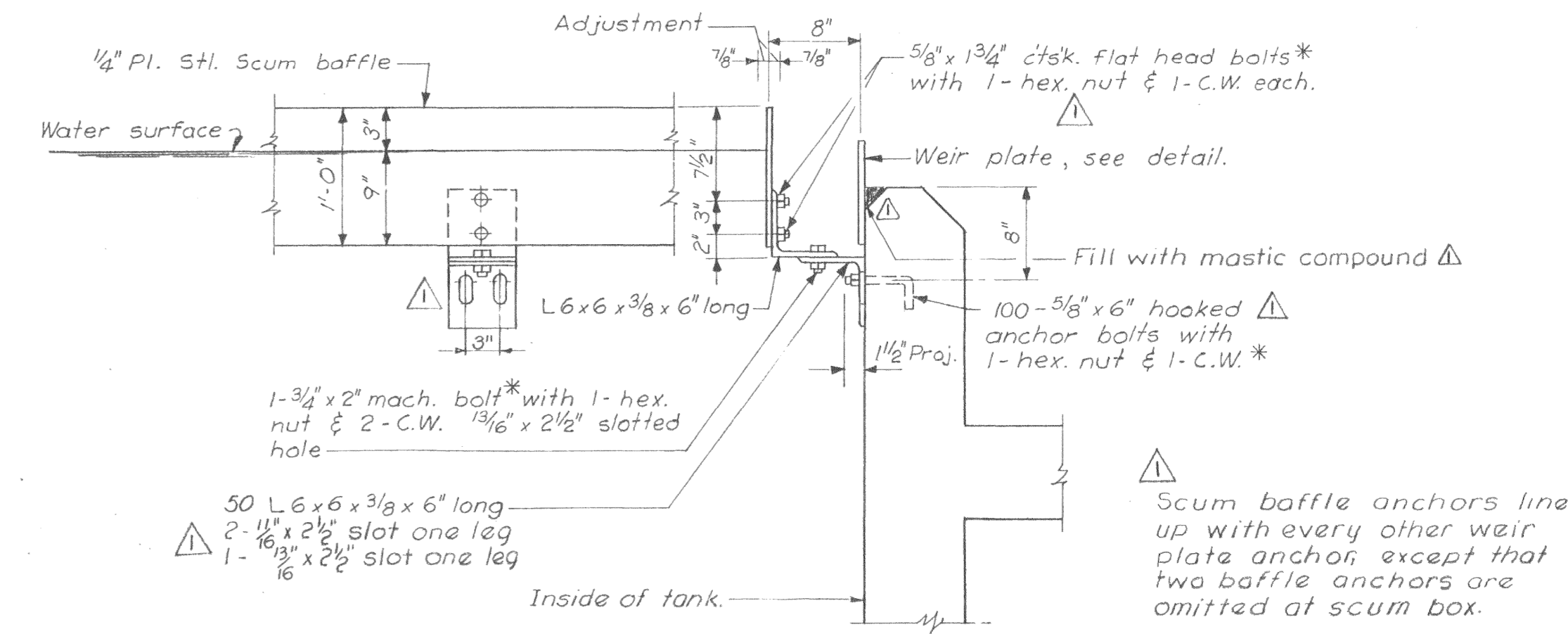


**NOTE:**  
Apply a suitable mastic sealing compound between concrete and weir plate.

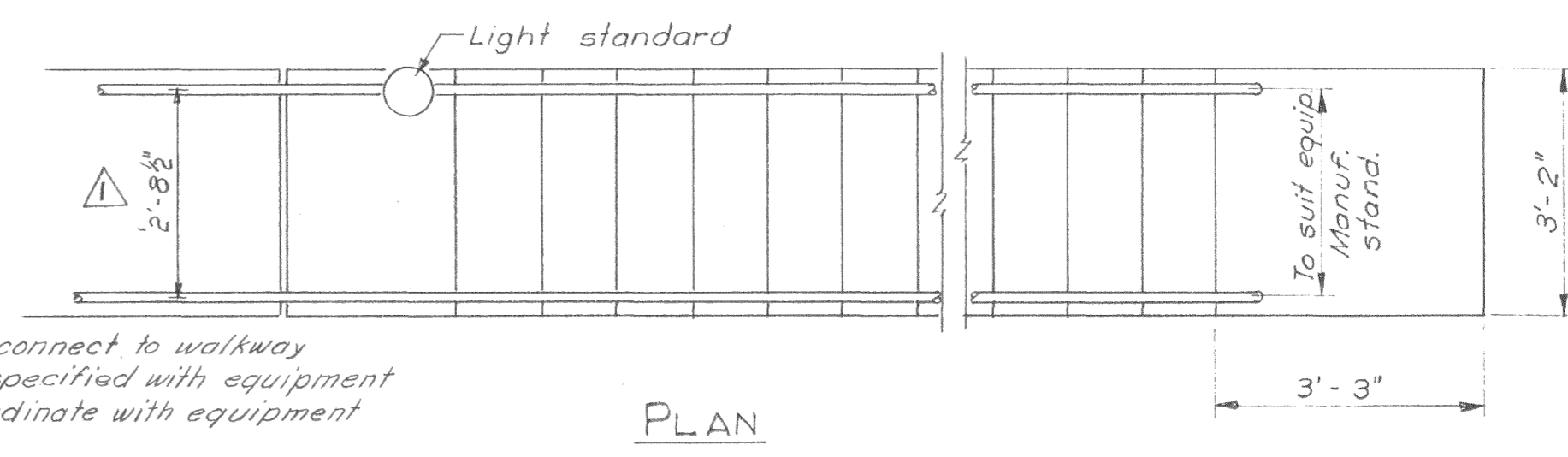
**WEIR PLATE DETAIL**  
Scale: 1" = 1'-0"



**DETAIL A**  
Scale: 1 1/2" = 1'-0"

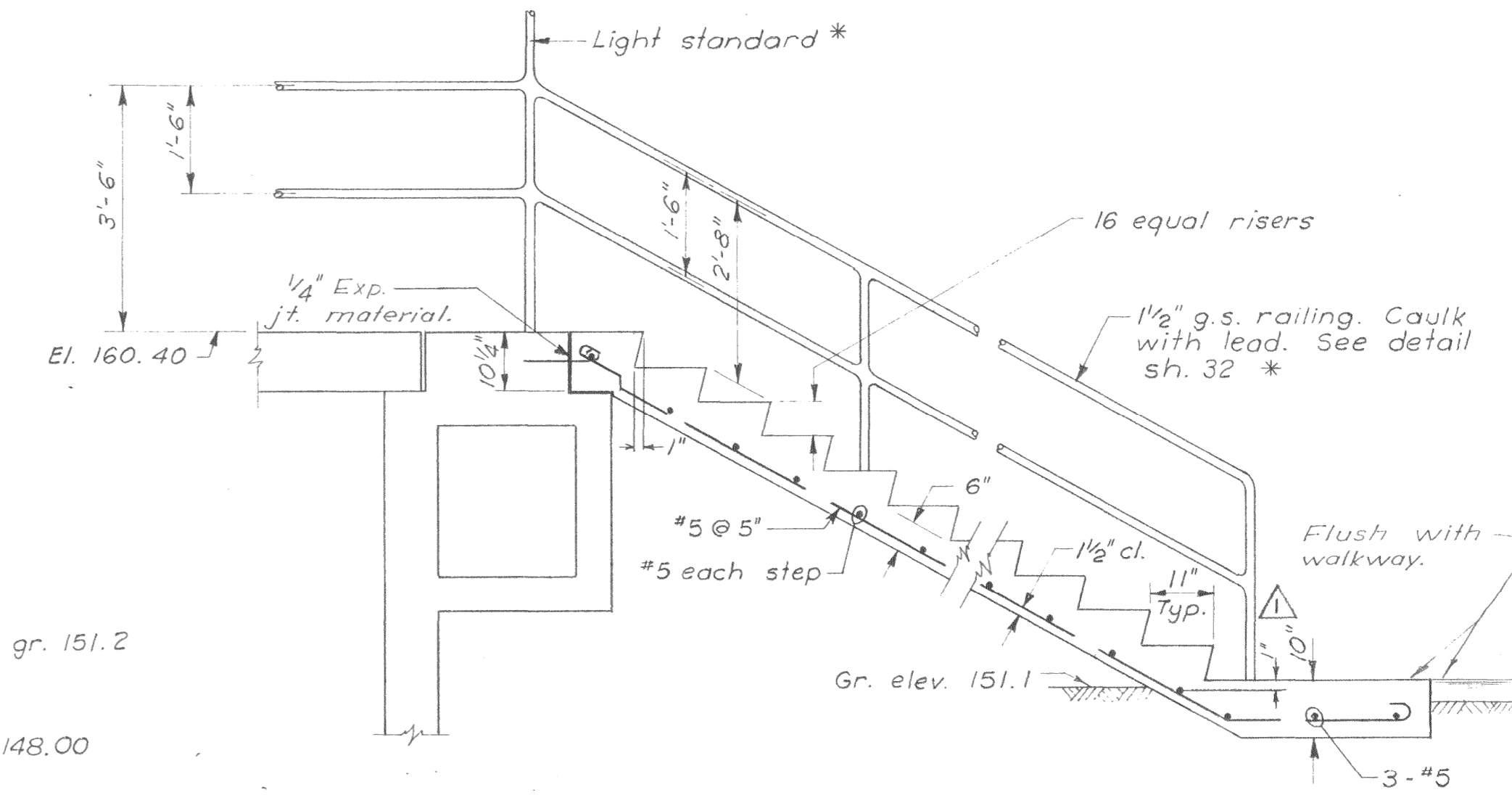


**SCUM BAFFLE DETAIL**  
Scale: 1" = 1'-0"



Railing to connect to walkway railing as specified with equipment items. Coordinate with equipment supplier.

**PLAN**



**SECTION**

**CLARIFIER STAIRS**  
Scale: 1/2" = 1'-0"

**AS BUILT**

REVISION	DATE	DESCRIPTION	BY	APP
Δ AB.	5-1-61	Added chamfer. Changed scum baffle anchor angles.	R.A.B.	[Signature]

CITY OF OROVILLE  
BUTTE COUNTY, CALIFORNIA  
SEWAGE TREATMENT PLANT  
PRIMARY CLARIFIERS

DEWANTE AND STOWELL  
SANITARY AND CIVIL ENGINEERS - SACRAMENTO, CALIFORNIA

DRAWN: H.N.H. CHECKED: R.H.D. APPROVED: [Signature] DATE: Mar. 1959

SHEET NO. 18 OF 36