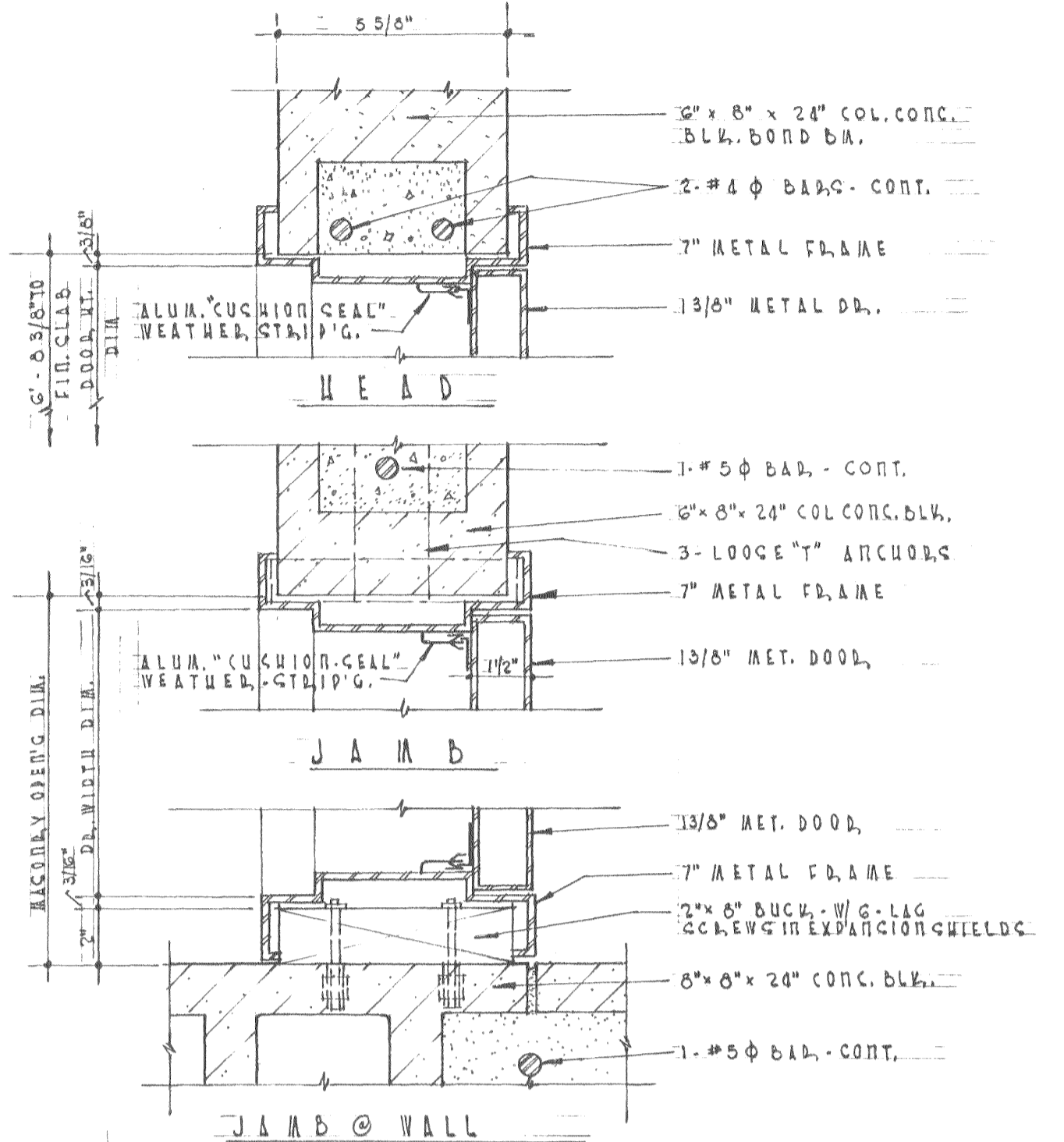
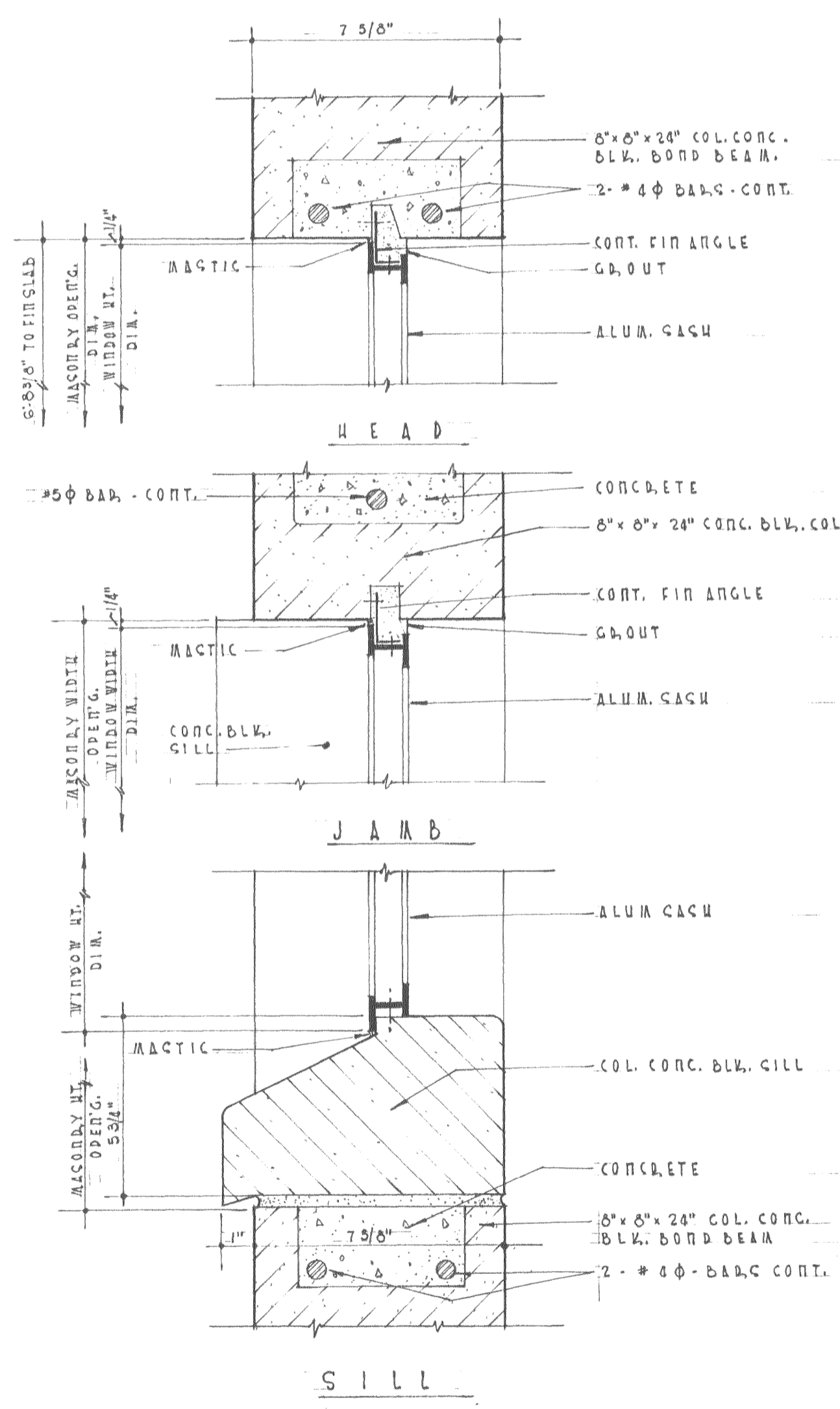


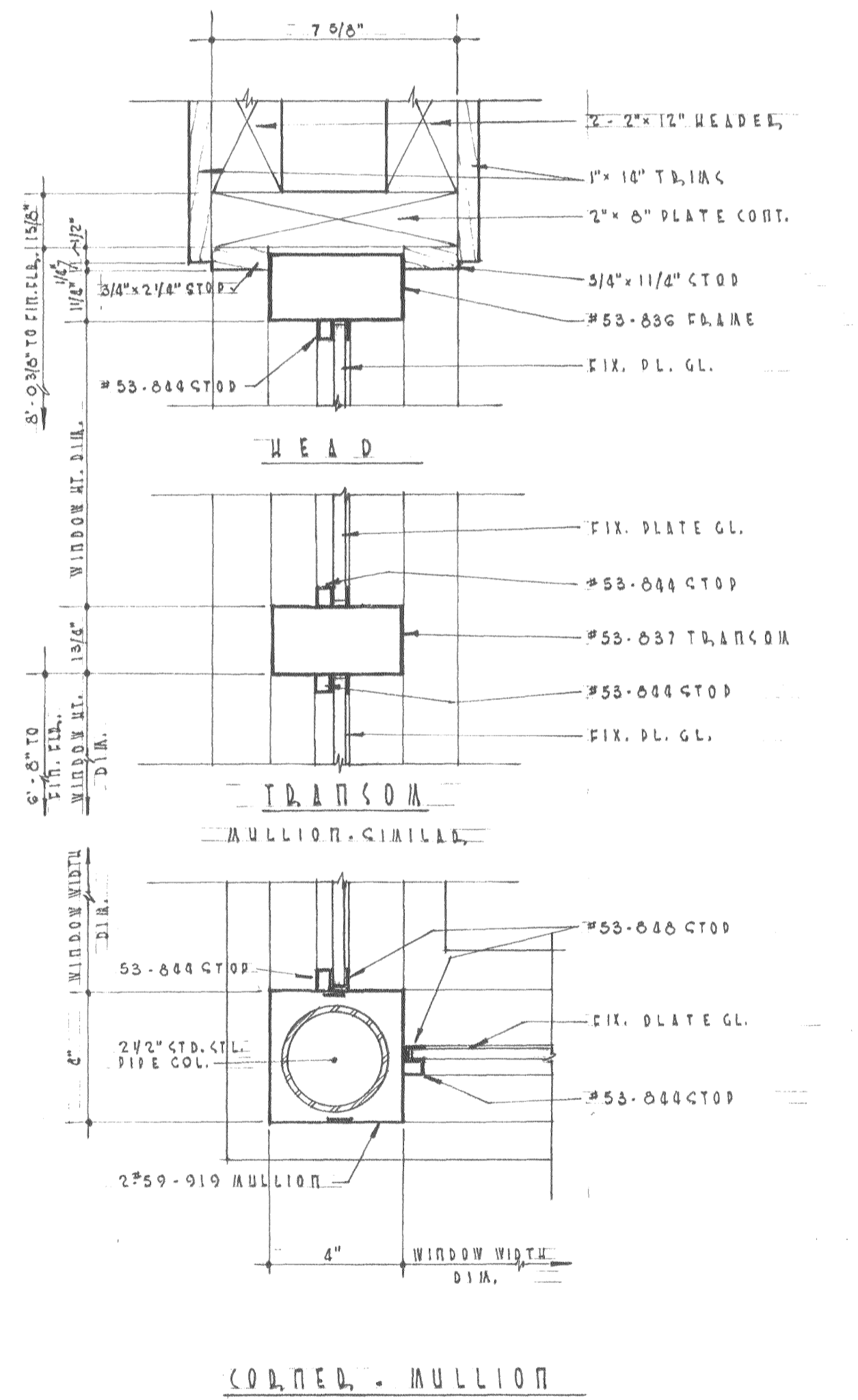
TYPICAL FASCIA & EAVE DETAILS
SCALE: 3/4" = 1'-0"



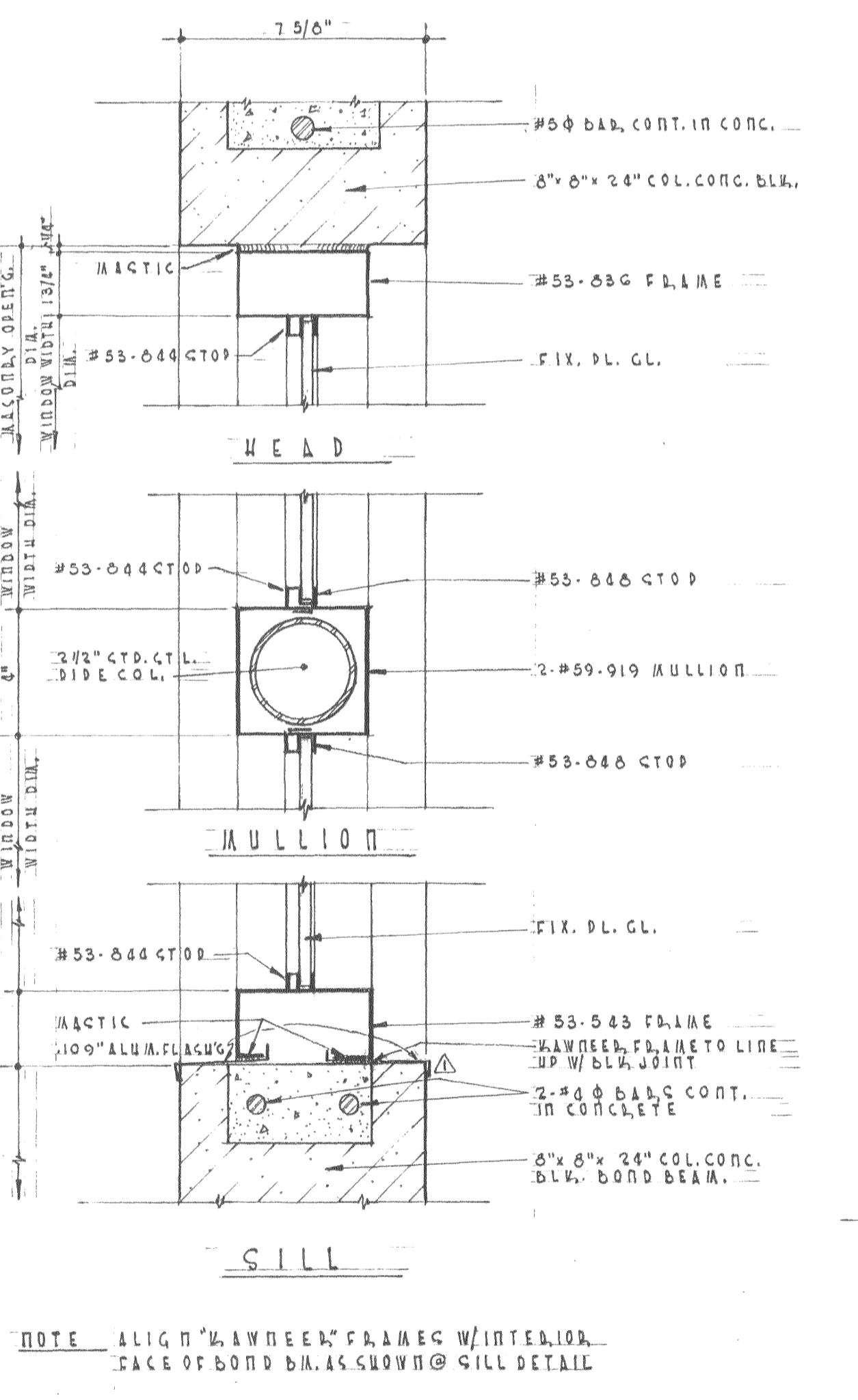
INTERIOR DOOR DETAILS
SCALE: 3/8" = 1'-0"



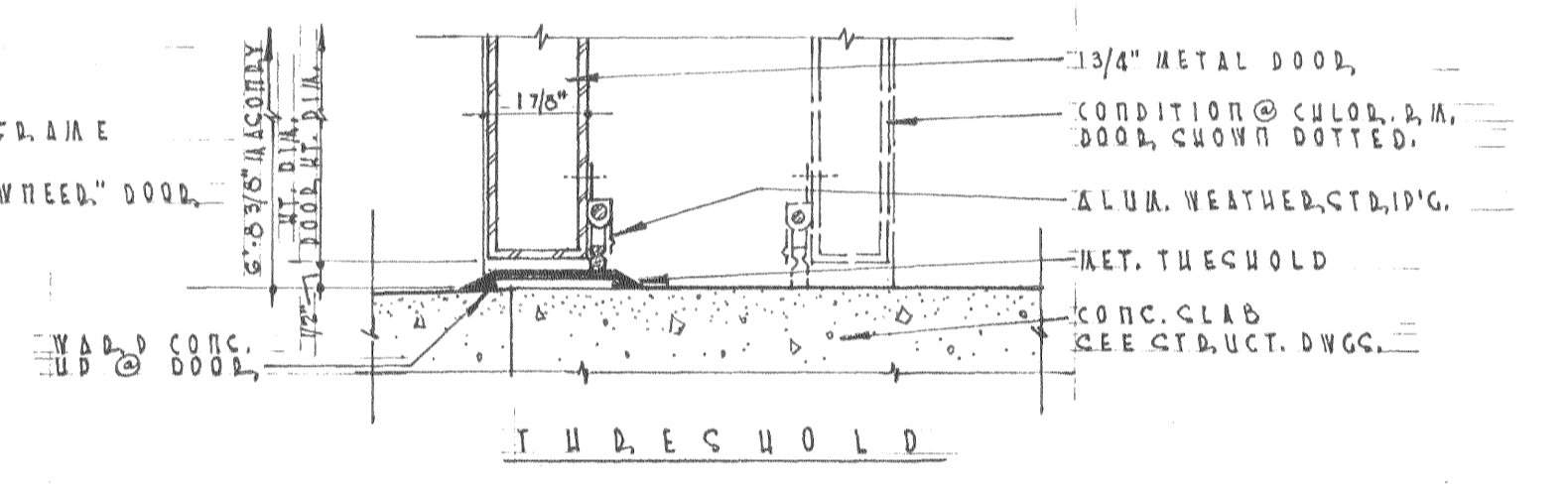
TYPICAL WINDOW DETAILS
SCALE: 3/8" = 1'-0"



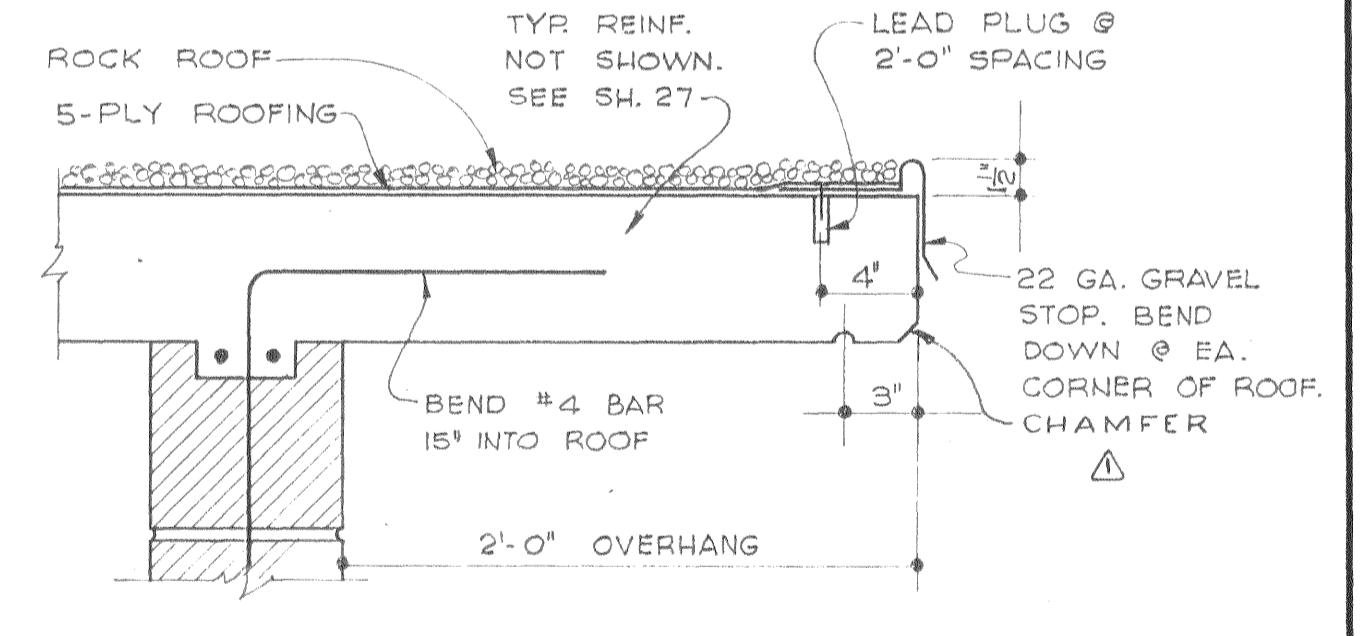
FIXED PLATE GLASS DETAILS
SCALE: 3/4" = 1'-0"



ENTRANCE DOOR DETAILS
SCALE: 3/4" = 1'-0"



EXTERIOR DOOR DETAIL
SCALE: 3/8" = 1'-0"



SLUDGE BLDG. EAVE DETAIL
SCALE: 1/2" = 1'-0"

CITY OF OROVILLE
BUTTE COUNTY, CALIFORNIA
SEWAGE TREATMENT PLANT
CONTROL BUILDING
ARCHITECTURAL DETAILS

DEWANTE AND STOWELL
SANITARY AND CIVIL ENGINEERS—SACRAMENTO, CALIFORNIA

△ A.B. 5-1-61	Added flashing & added net wood dimensions	R.A.B.	D.S.
REVISION	DATE	DESCRIPTION	BY APP
CHECKED: R.H.D.	APPROVED: <i>[Signature]</i>		

DRAWN: G.C.S. SHEET NO. 16
DATE: Mar. 1959 OF 36

RICKEY & BROOKS • KENNETH C. RICKEY • ARCHITECT • 2015 J ST. SACRAMENTO, CALIF. • 1-1-0313