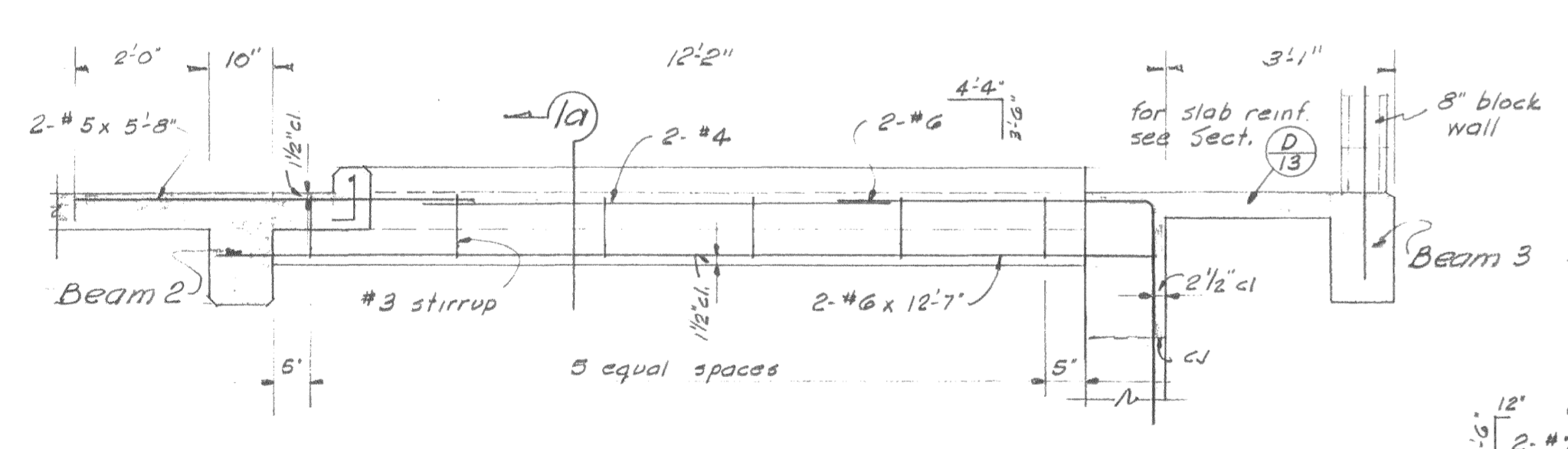
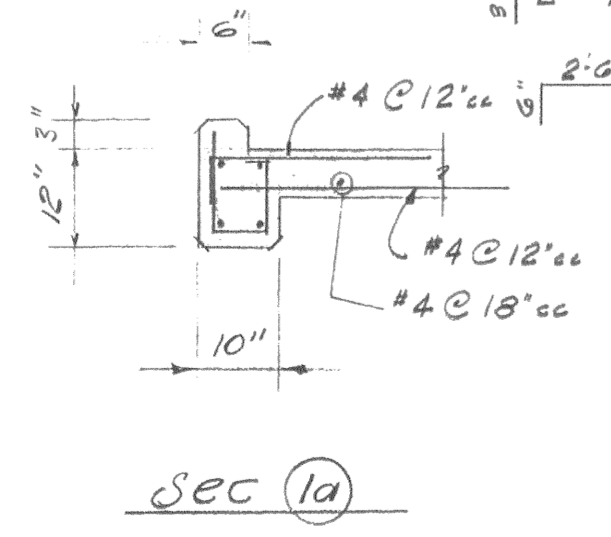


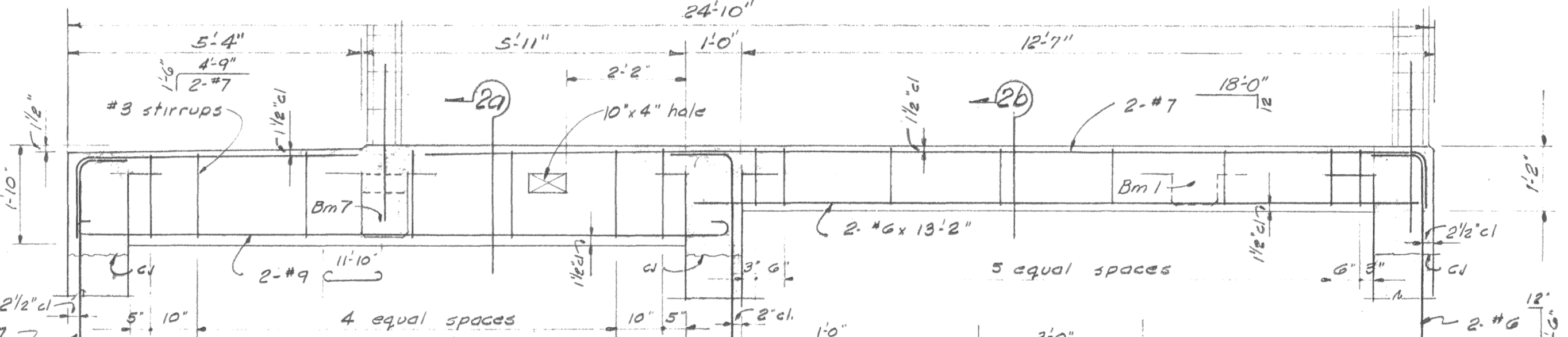
SECTION $\frac{E}{14}$ $\frac{1}{2}'' = 1'-0''$



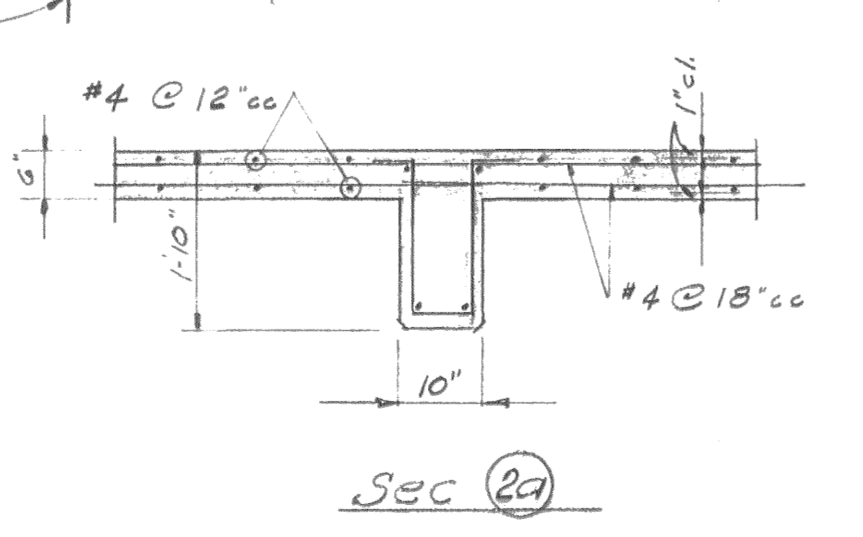
Beam 1



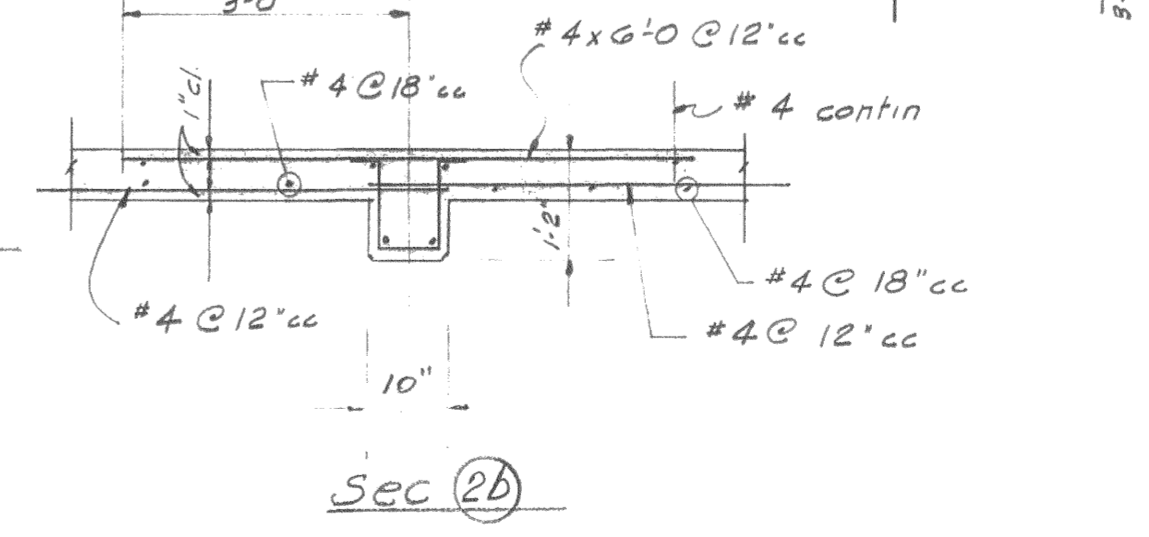
sec 1a



Beam 2



sec 2a



sec 2b

SECTION $\frac{F}{14}$ $\frac{1}{2}'' = 1'-0''$

Note: Coordinate structural work closely with mechanical, electrical & architectural sheets.

AS BUILT

AB 5-1-61	Removed horizontal C.J. Added vertical C.J.	RAB
REVISION	DATE	DESCRIPTION
CITY OF OROVILLE BUTTE COUNTY, CALIFORNIA		
SEWAGE TREATMENT PLANT PUMPING PLANT STRUCTURAL		
DEWANTE AND STOWELL SANITARY AND CIVIL ENGINEERS-SACRAMENTO, CALIFORNIA		
DRAWN: W.D.B.	SUBMITTED: <i>W.D.B.</i>	SHEET NO. 14
CHECKED: W.A.B.	APPROVED: <i>W.A.B.</i>	OF 36
DATE: Mar 1959		

W. A. & W. D. BUEHLER
STRUCTURAL ENGINEERS
718 ALHAMBRA BLVD.
SACRAMENTO, CALIFORNIA
Walter A. Buehler