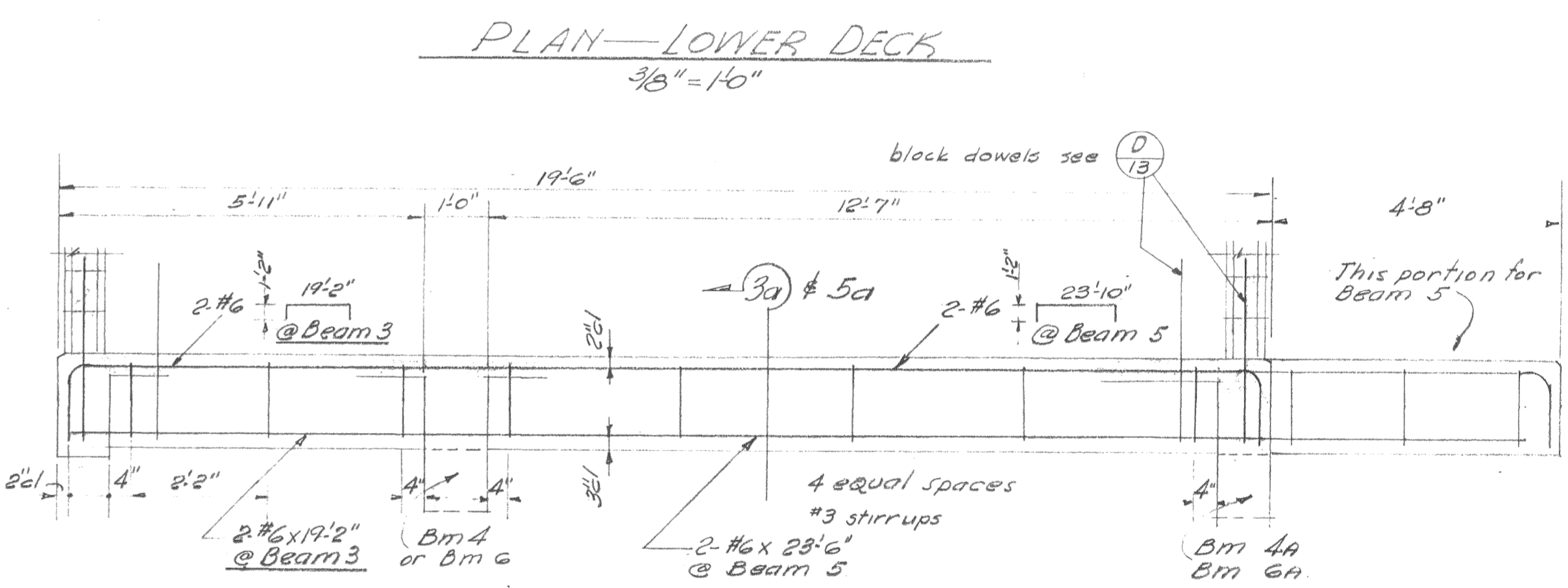
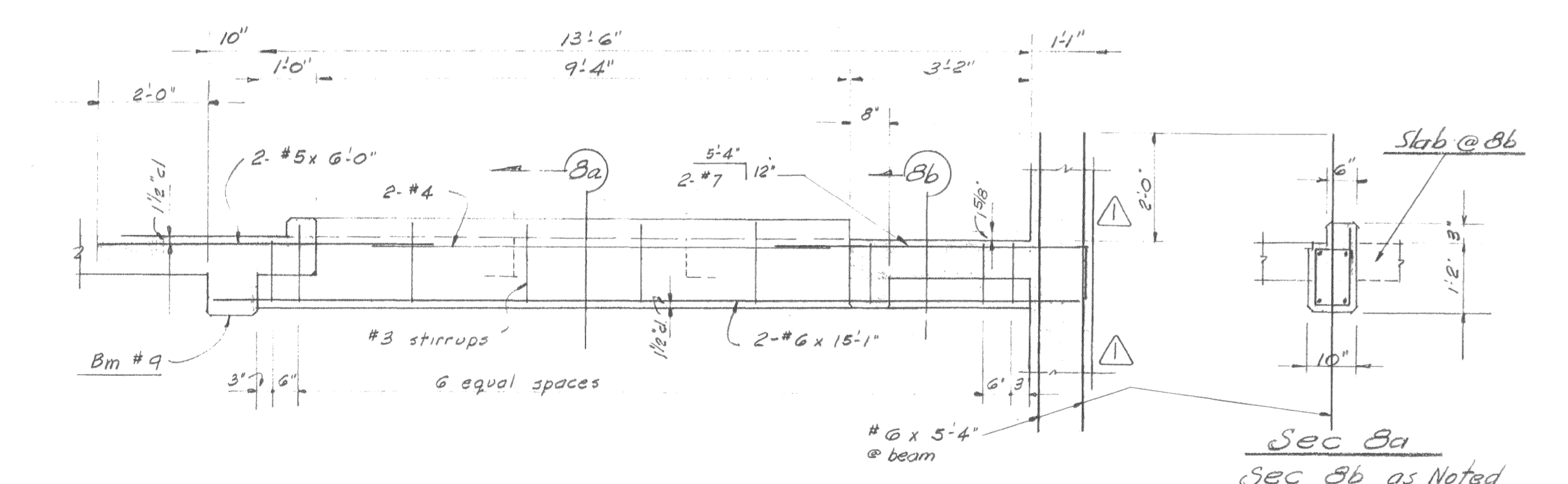


SECTION C $\frac{1}{2}'' = 1'-0''$

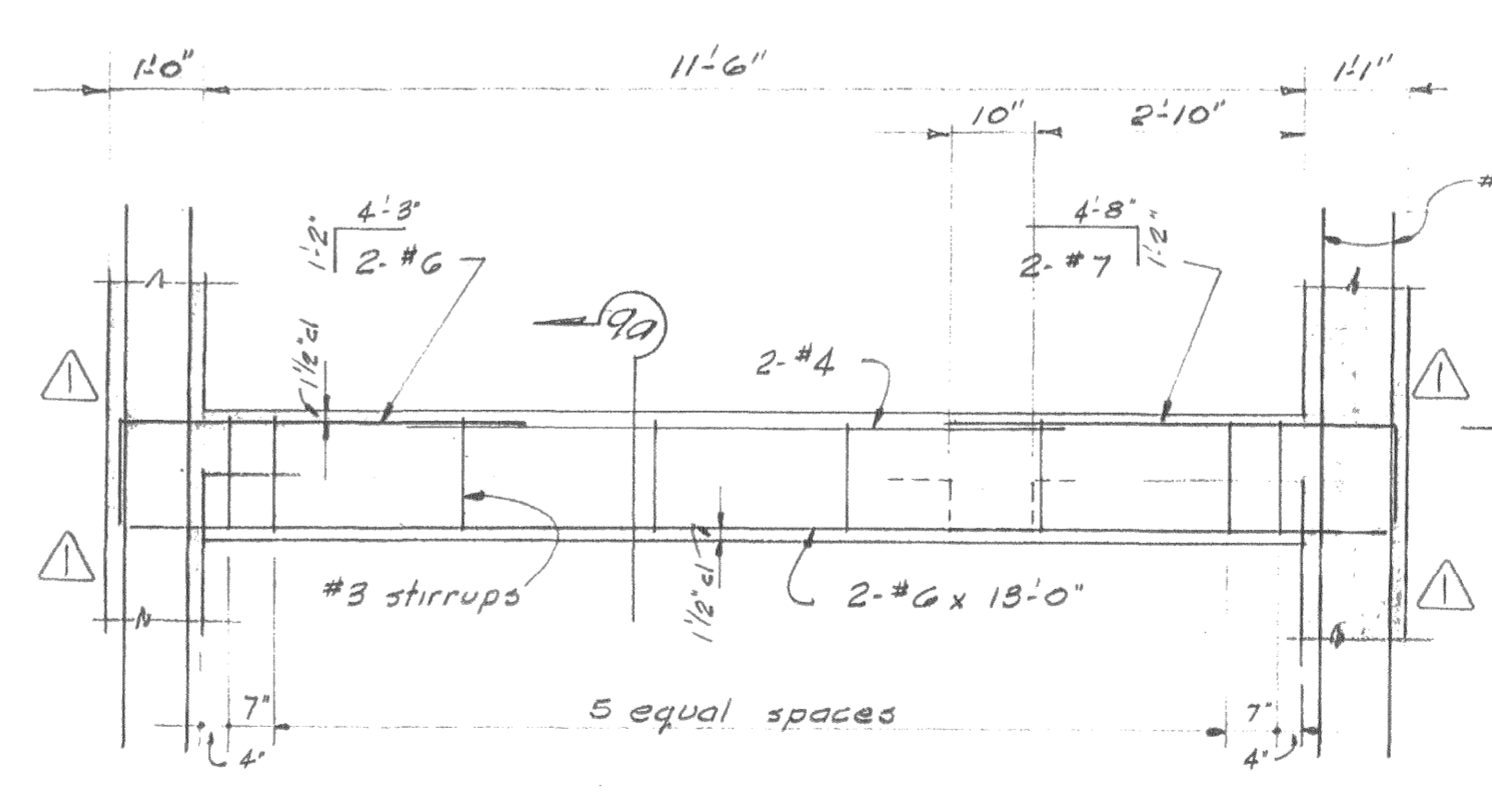
Section D $\frac{1}{2}'' = 1'-0''$



PLAN - LOWER DECK
 $\frac{3}{8}'' = 1'-0''$



Beam B $\frac{1}{2}'' = 1'-0''$



Beam 9 $\frac{1}{2}'' = 1'-0''$

Beam 3 $\frac{1}{2}'' = 1'-0''$
Beam 5 $\frac{1}{2}'' = 1'-0''$

Note: Coordinate structural work closely with mechanical, electrical & architectural sheets.

M. A. & W. D. BUEHLER
STRUCTURAL ENGINEERS
718 ALHAMBRA BLVD.
SACRAMENTO, CALIFORNIA

Walter A. Buehler Section $\frac{1}{2}'' = 1'-0''$

AS BUILT			
REVISION	DATE	DESCRIPTION	BY / APP
△ AB	5-1-61	Removed horizontal C.J.	RAB / HMB
CITY OF OROVILLE BUTTE COUNTY, CALIFORNIA			
SEWAGE TREATMENT PLANT PUMPING PLANT STRUCTURAL			
DEWANTE AND STOWELL SANITARY AND CIVIL ENGINEERS - SACRAMENTO, CALIFORNIA			
DRAWN: W.D.B.	SUBMITTED:	SHEET NO.	
CHECKED: W.A.B.	APPROVED: <i>W.A. Buehler</i>	13	
DATE: Mar. 1959		OF 36	