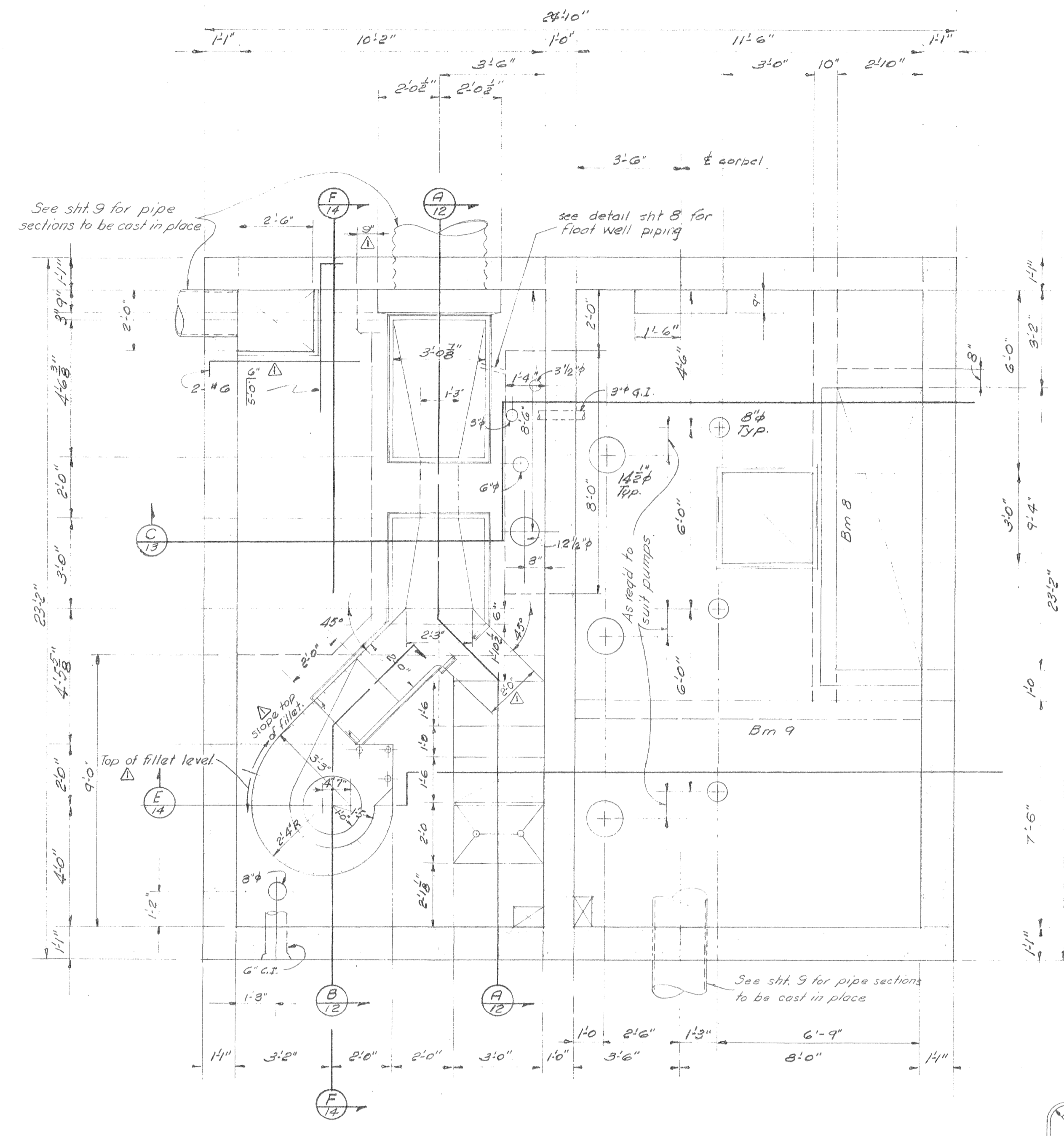
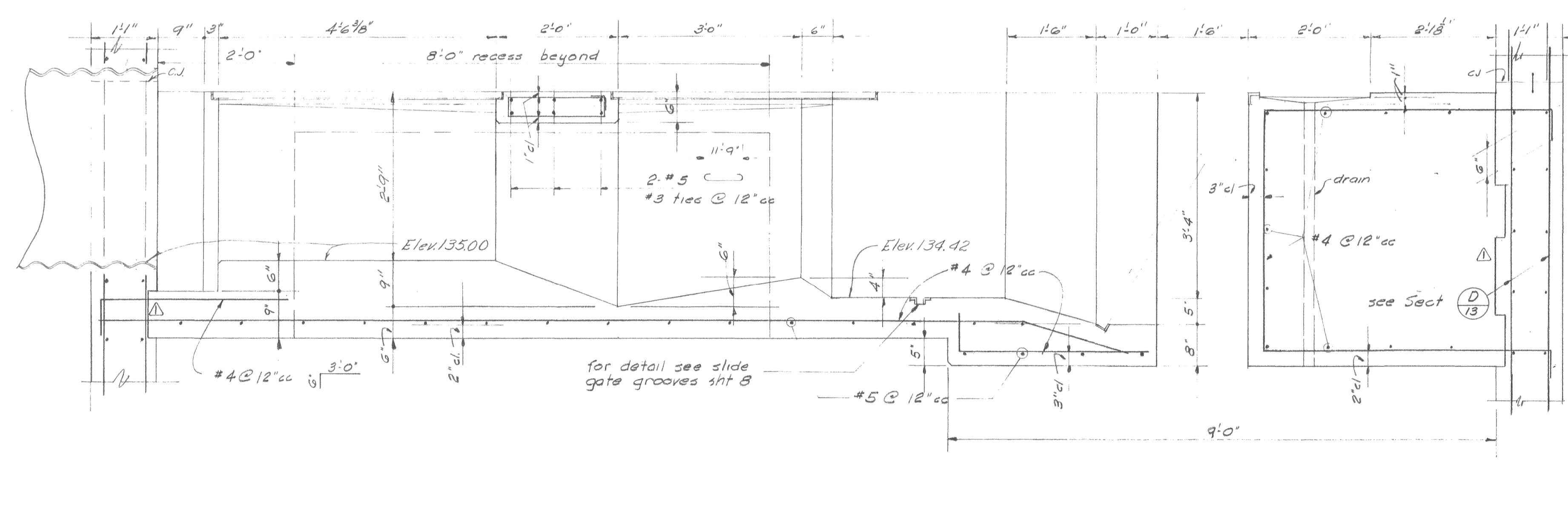
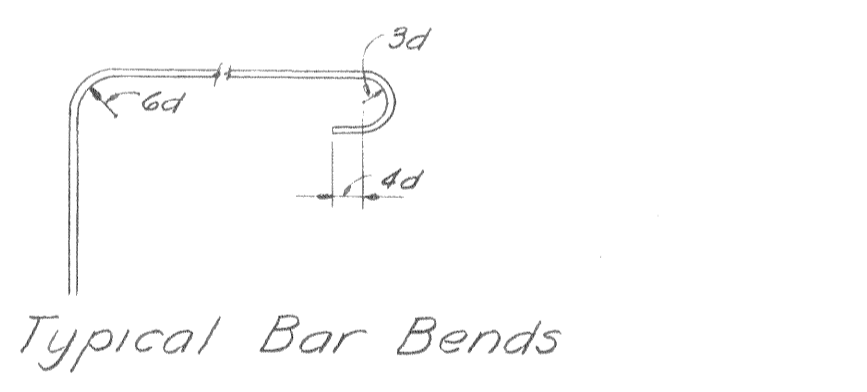
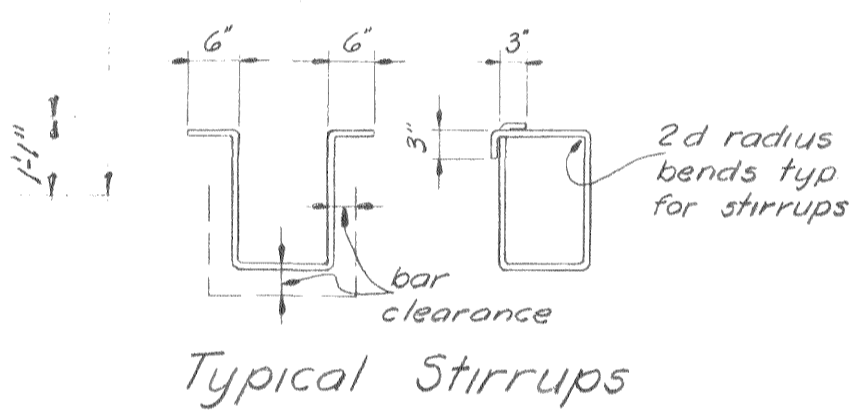


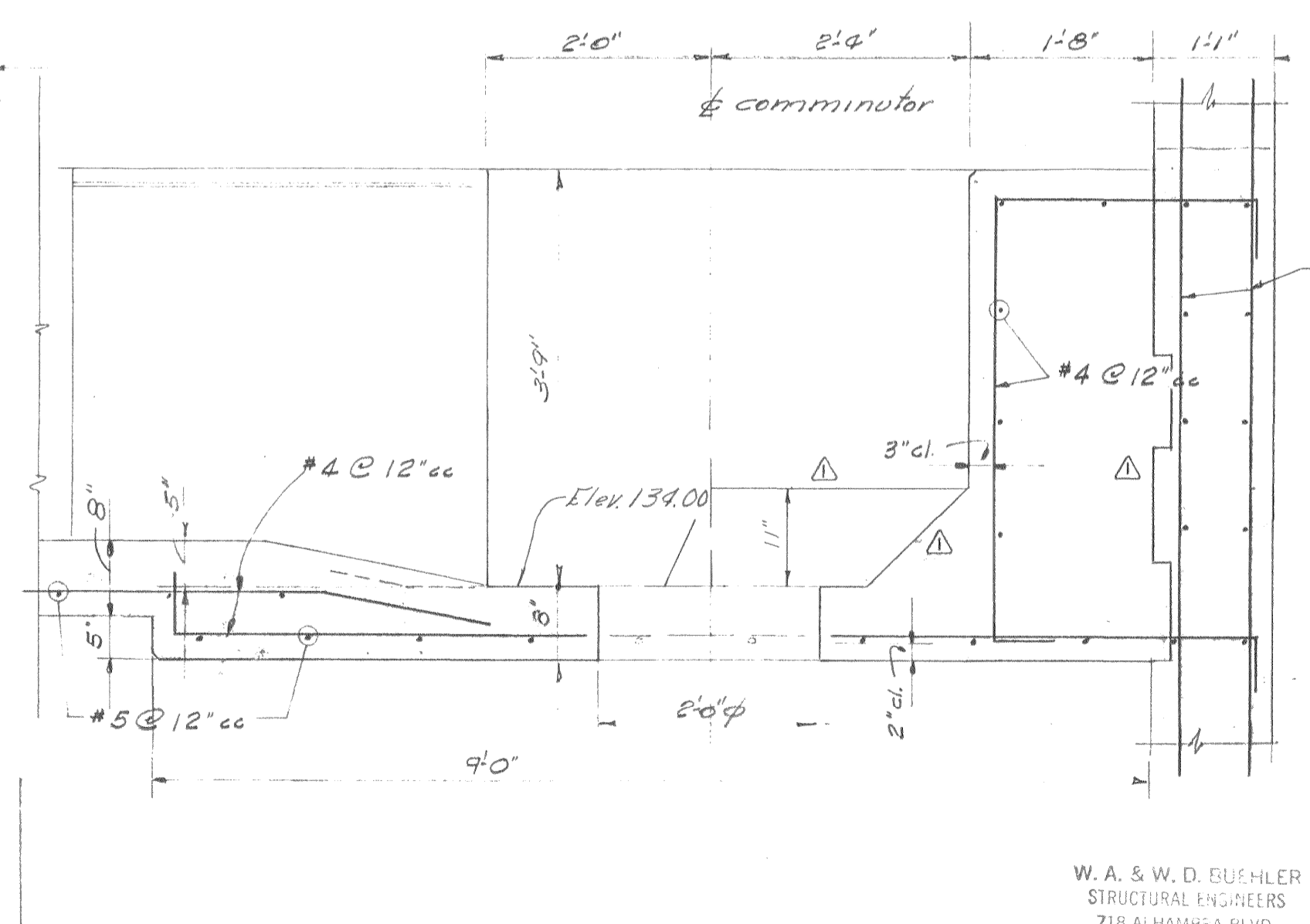
PLAN - TOP DECK
3/8" = 1'-0"



PLAN - 2nd DECK
3/8" = 1'-0"



Section A-12 3/4" = 1'-0"



Section B-12 3/4" = 1'-0"

Note: Coordinate structural work closely with mechanical, electrical & architectural shts.

AS BUILT

REVISION	DATE	DESCRIPTION	BY	APP
A.B.	3-1-61	Added dimensions, vertical, C.F. Changed fillet.	R.A.B.	W.A.B.

CITY OF OROVILLE
BUTTE COUNTY, CALIFORNIA
SEWAGE TREATMENT PLANT
PUMPING PLANT
STRUCTURAL

DEWANTE AND STOWELL
SANITARY AND CIVIL ENGINEERS - SACRAMENTO, CALIFORNIA

W.A. & W.D. BUEHLER
STRUCTURAL ENGINEERS
716 ALHAMBRA BLVD.
SACRAMENTO, CALIFORNIA
Walter D. Buckler

DRAWN: W.D.B.
CHECKED: W.A.B.
DATE: Mar 1959

SUBMITTED: [Signature]
APPROVED: [Signature]

SHEET NO. 12
OF 36