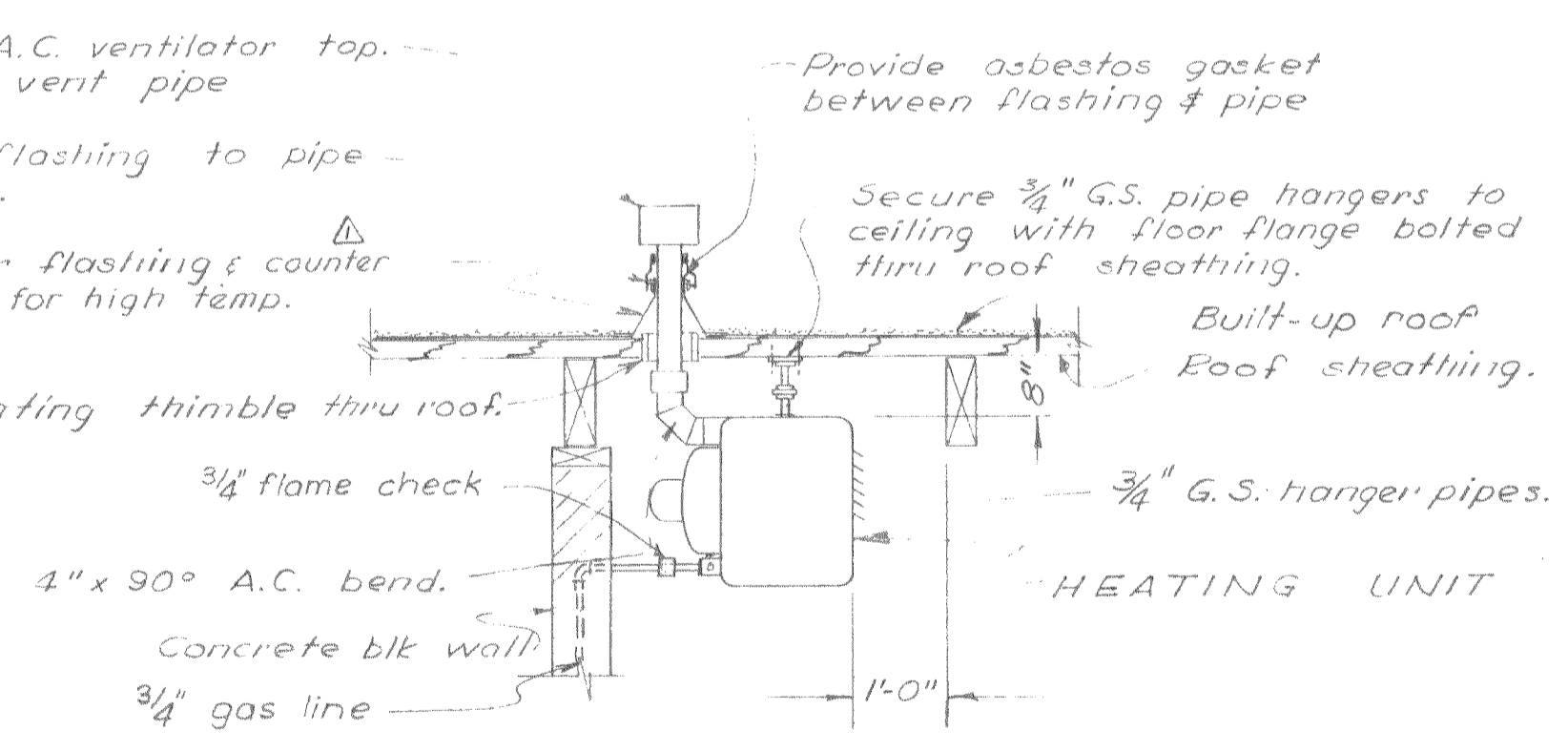
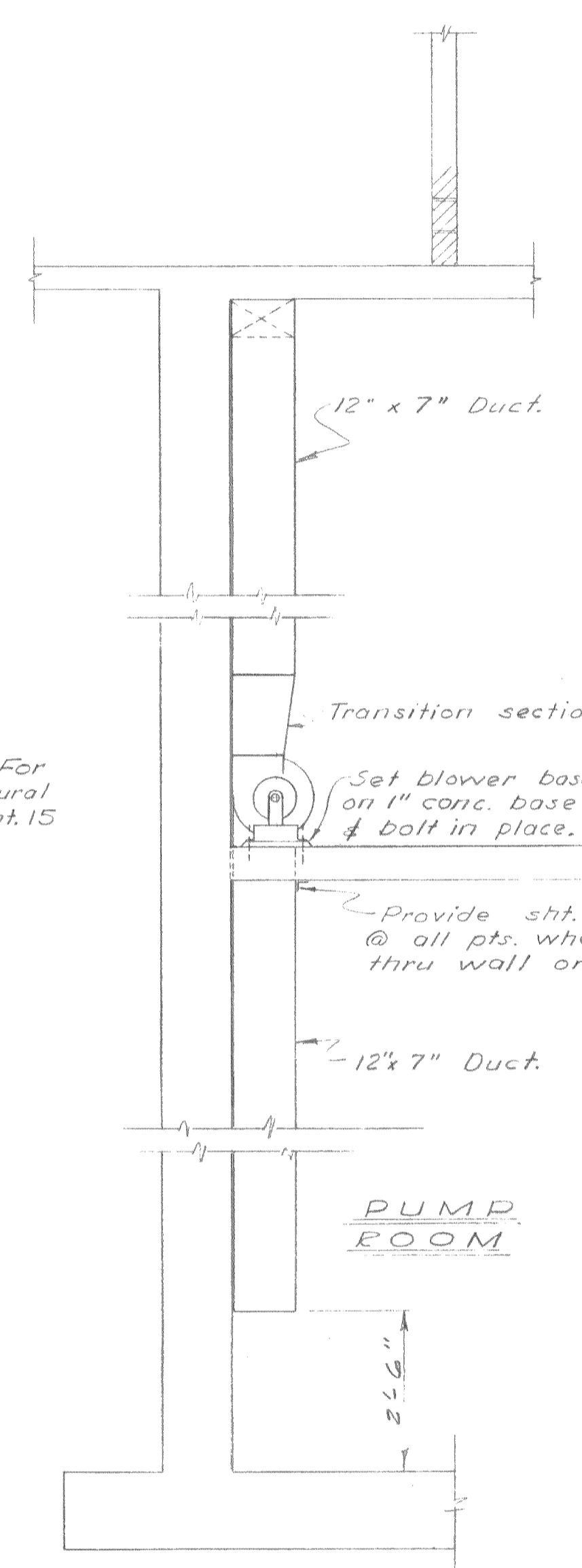


- LEGEND**
- CW — Cold water
  - HW — Hot water
  - D — Drain line
  - G — Gas line
  - F.D. — Floor drain
  - CL — Chlorine gas line

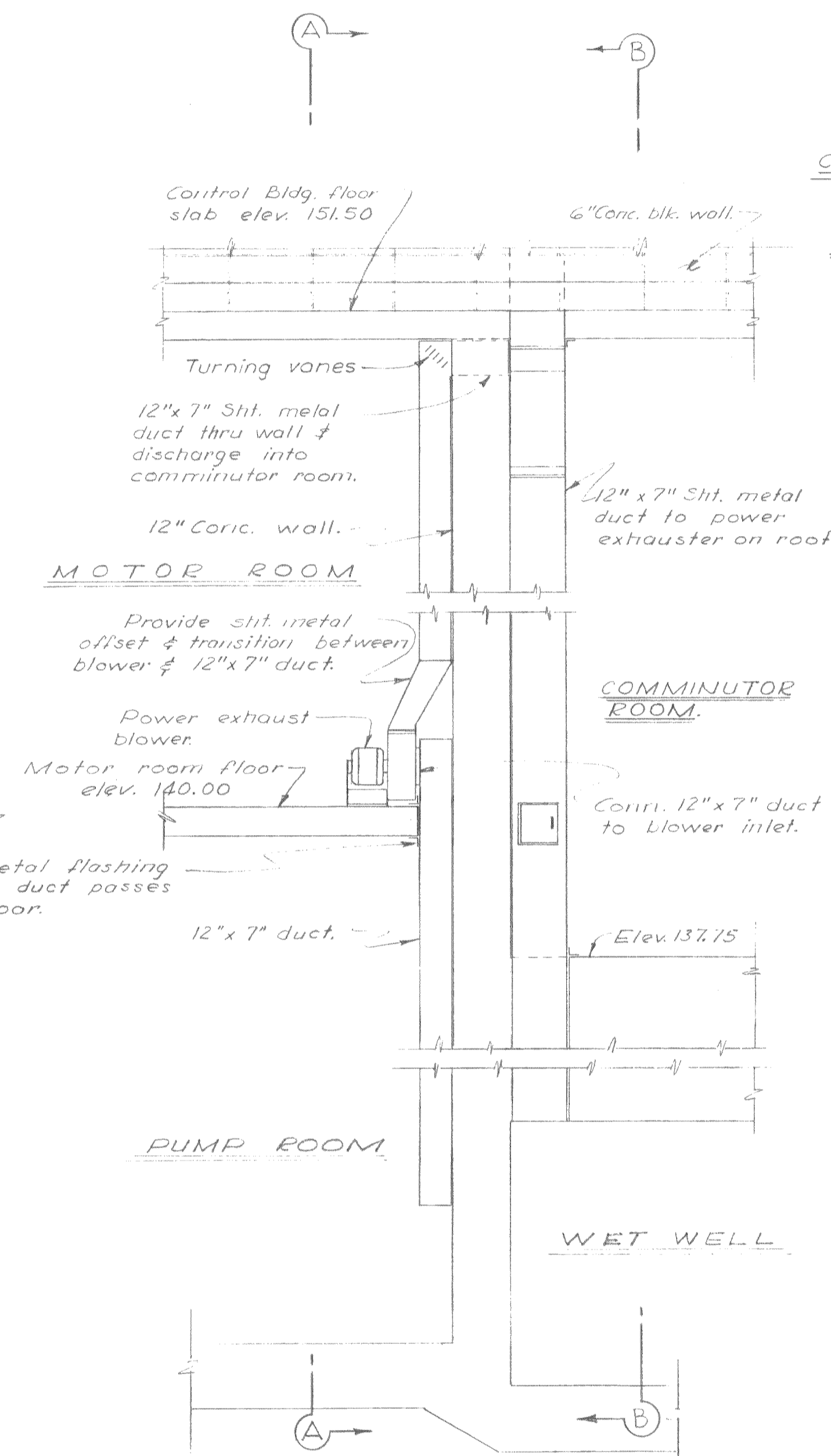
**CONTROL BUILDING - UTILITIES LAYOUT**  
Scale:  $\frac{3}{8}'' = 1'-0''$



**HEATER INSTALLATION DETAIL**  
No Scale.



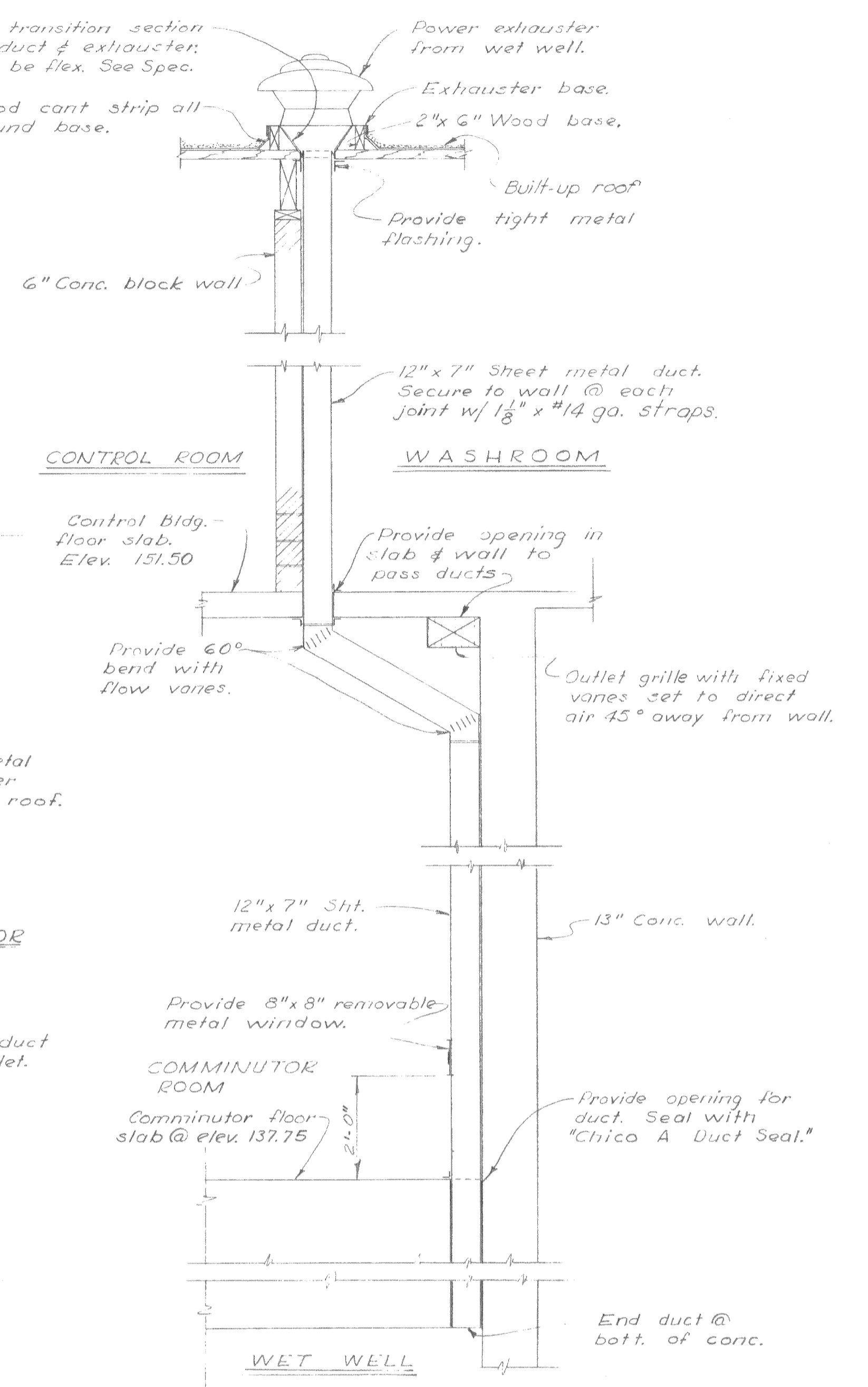
**SECTION A-A**



**SECTIONAL ELEVATION**

**EXHAUST SYSTEM DETAILS**

Scale:  $\frac{1}{2}'' = 1'-0''$   
See Sh. 6 & 8 for Plan location



**SECTION B-B**

**AS BUILT**

REVISION	DATE	DESCRIPTION	BY	APP
Δ A.B.	5-1-61	Added counter flashing.	R.A.B.	R.H.P.
CITY OF OROVILLE BUTTE COUNTY, CALIFORNIA <b>SEWAGE TREATMENT PLANT</b> <b>PLUMBING &amp; VENTILATION</b>				
<b>DEWANTE AND STOWELL</b> SANITARY AND CIVIL ENGINEERS—SACRAMENTO, CALIFORNIA				
DRAWN: J.J.	SUBMITTED:			SHEET NO.
CHECKED: R.H.D.	APPROVED:			11
DATE: Mar, 1959				OF 36