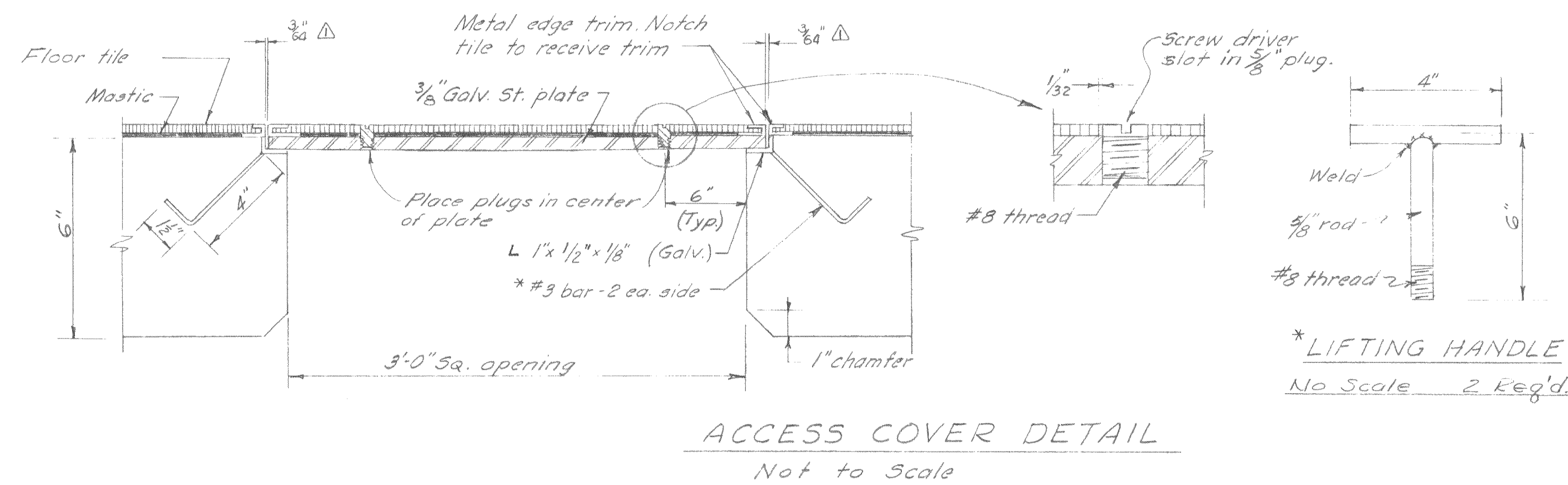
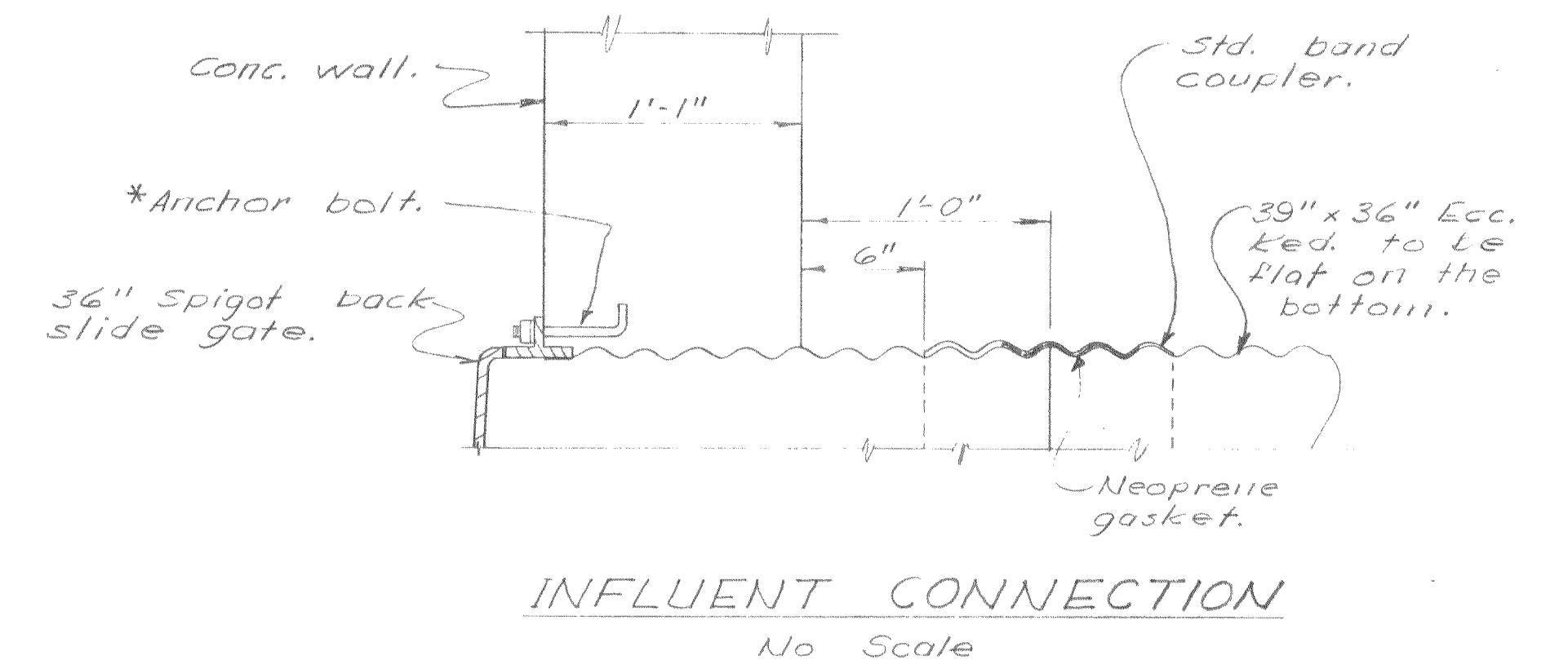


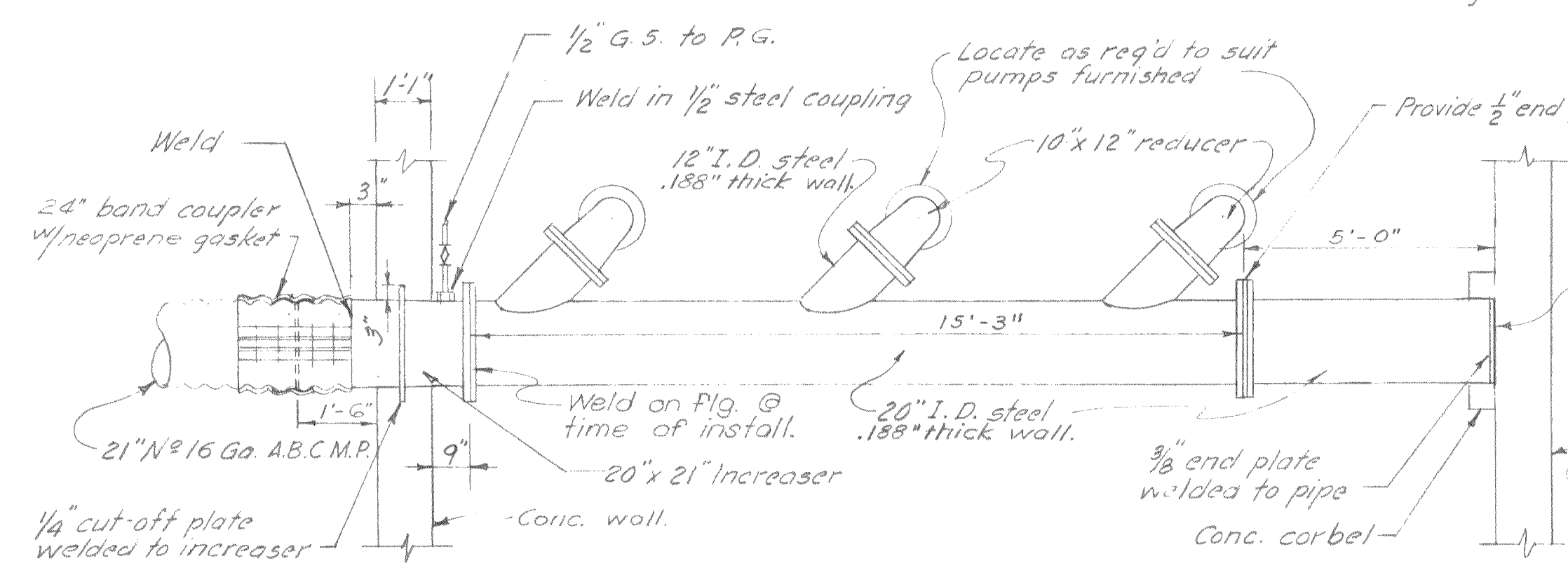
SUMP PUMP INSTALLATION
No scale



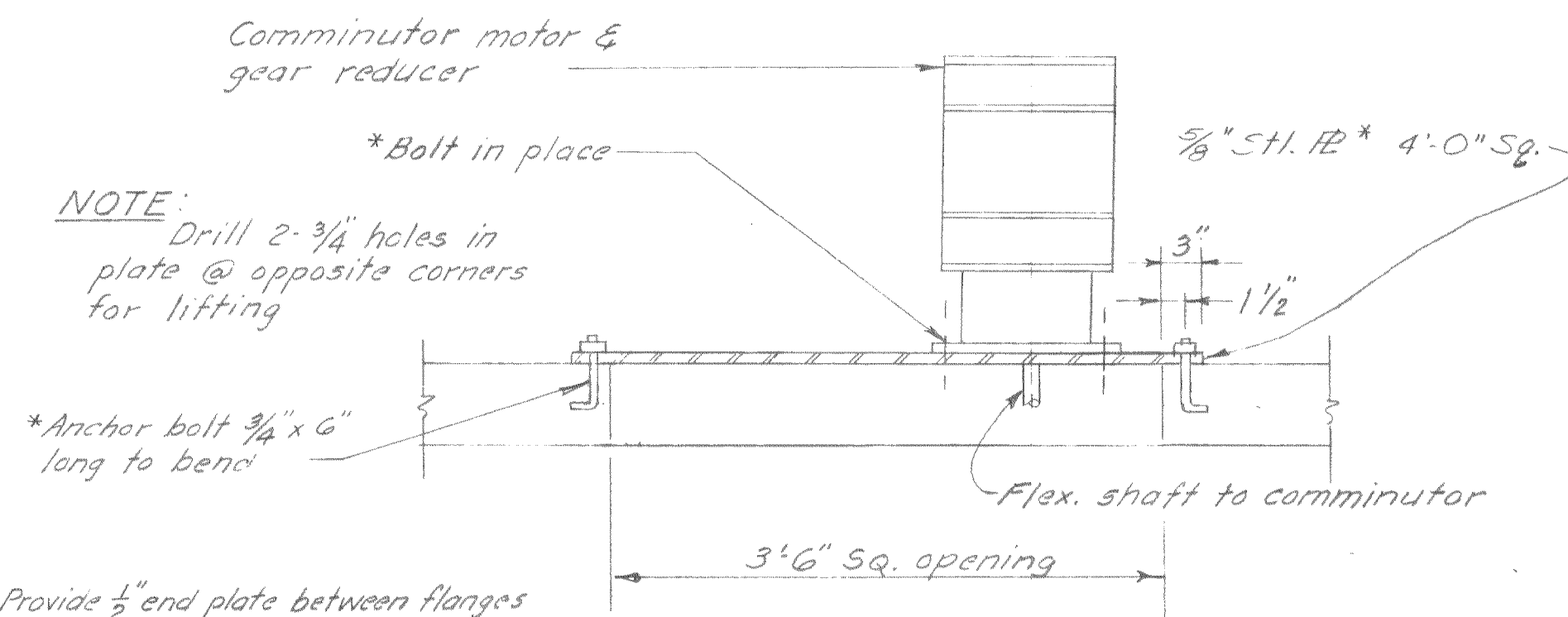
ACCESS COVER DETAIL
Not to Scale



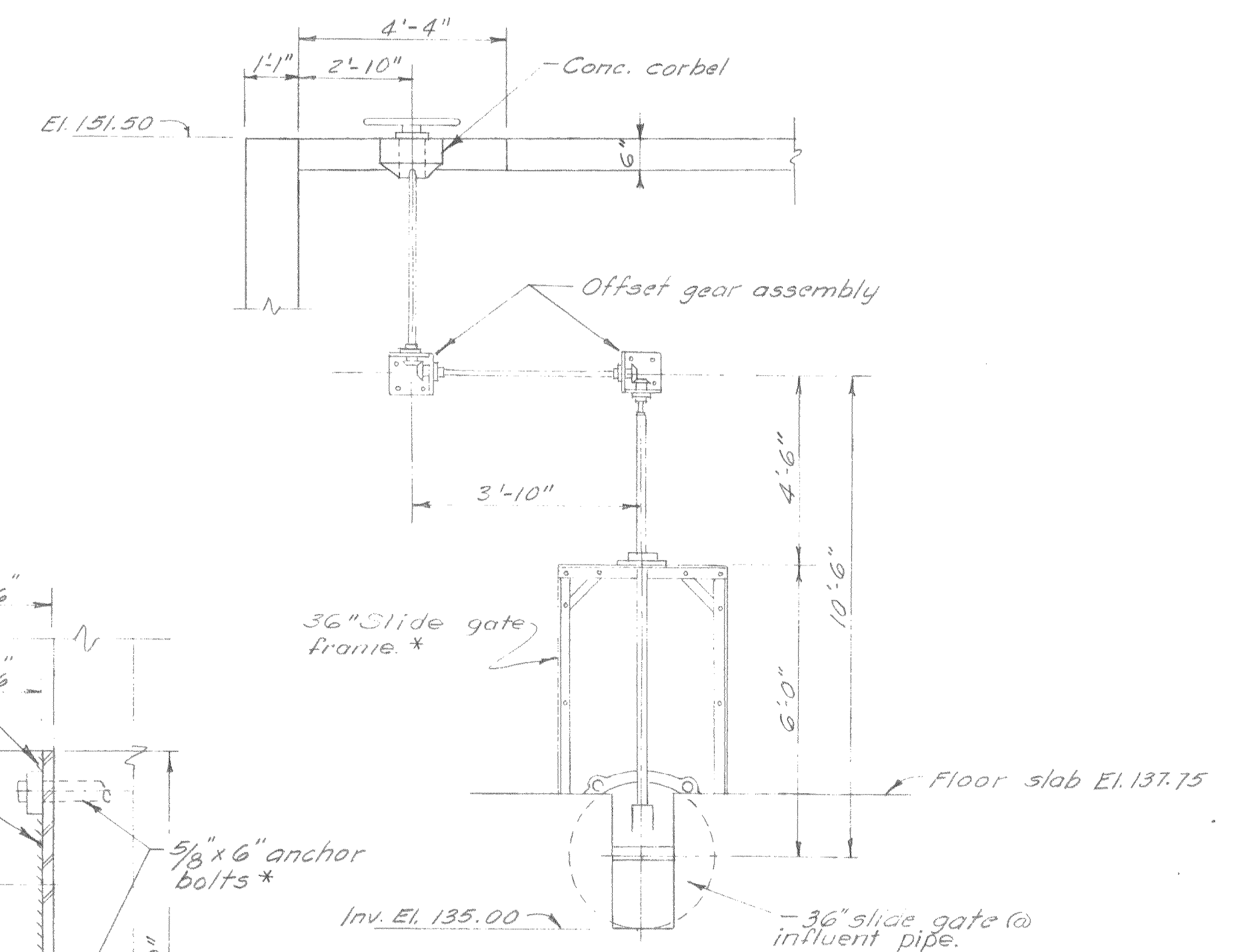
INFLUENT CONNECTION
No Scale



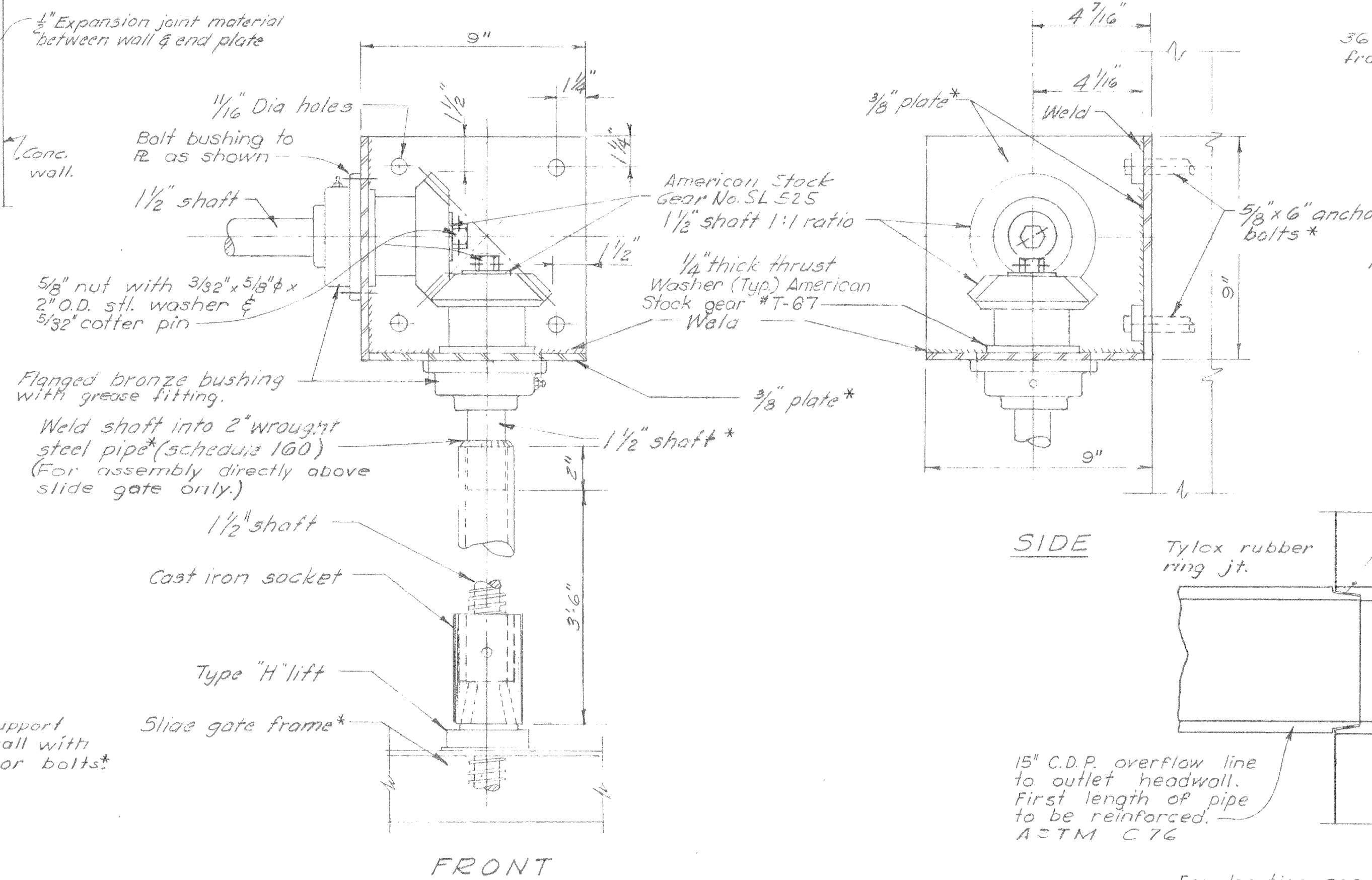
DISCHARGE MANIFOLD
Scale 3/8" = 1'-0"



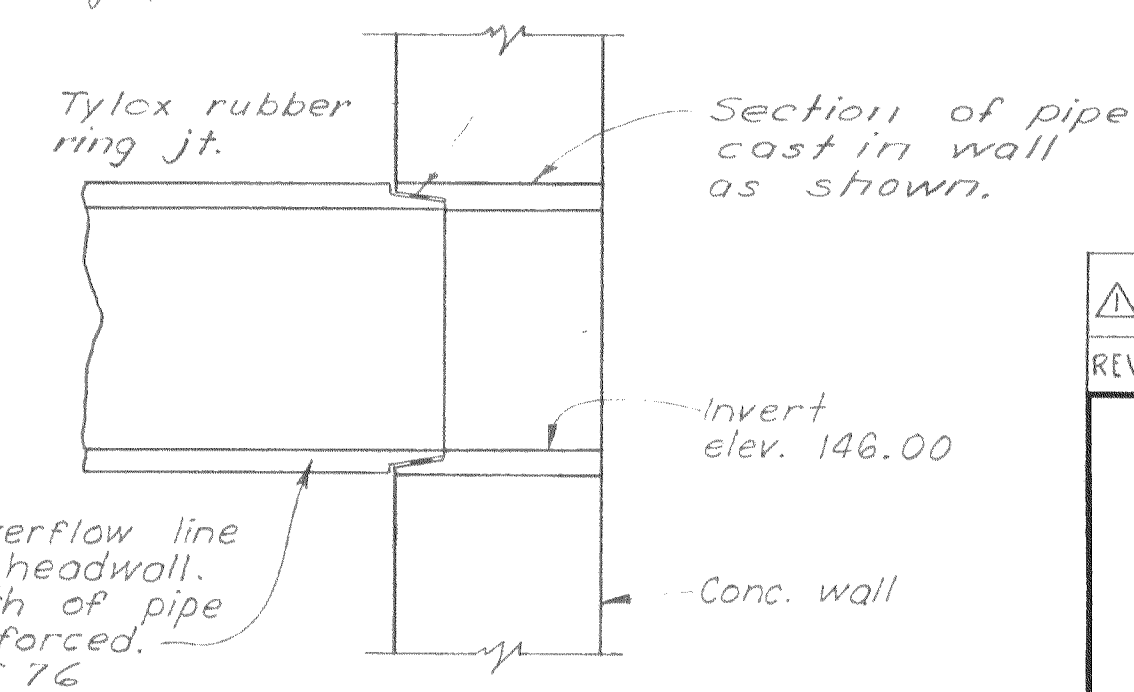
COMMUNITOR FLOOR DETAIL
Scale 1" = 1'-0"



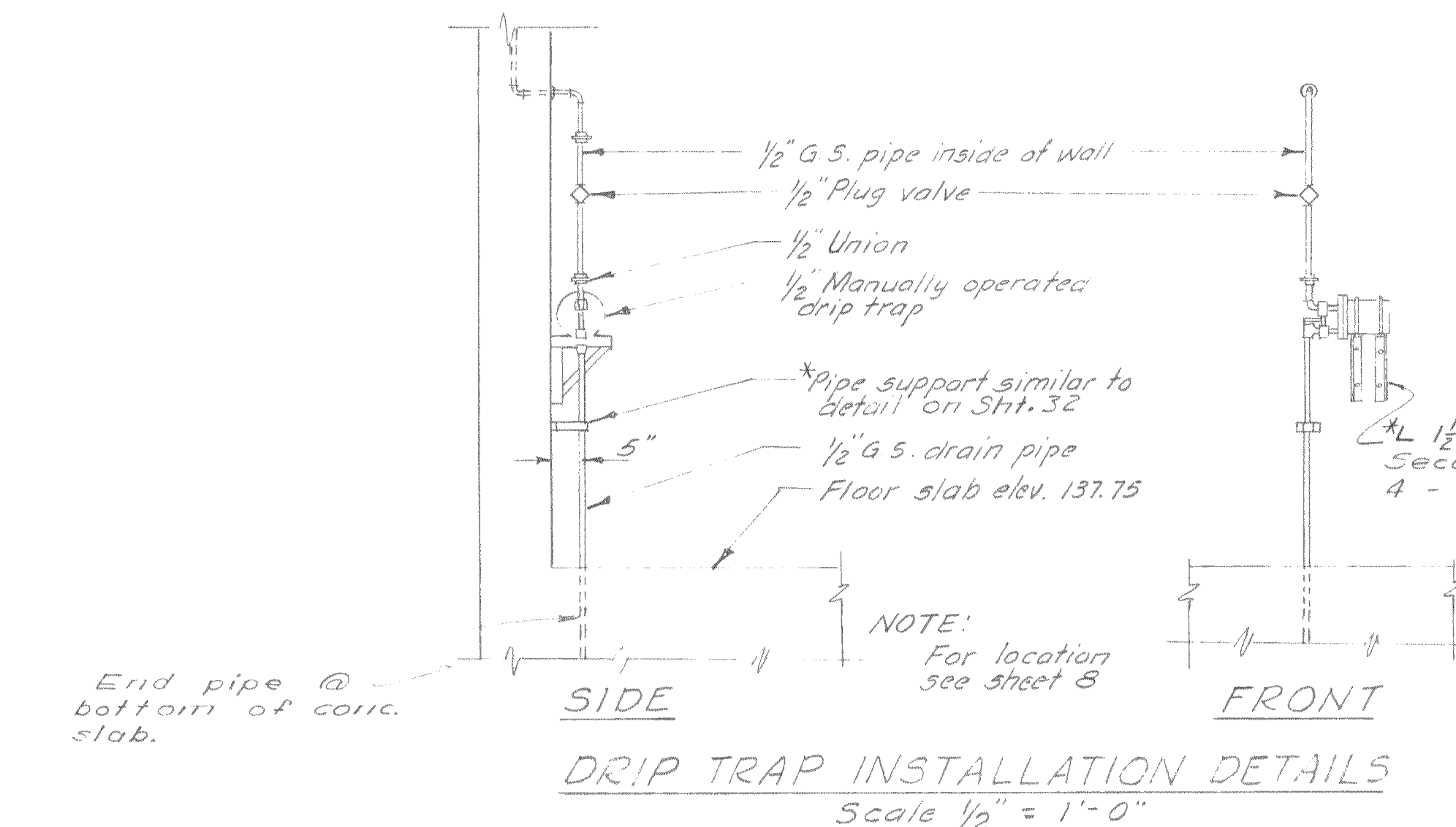
OFFSET GEAR INSTALLATION
Scale 3/8" = 1'-0"



OFFSET GEAR ASSEMBLY
Scale 3" = 1'-0"



OVERFLOW PIPE
Scale: 1" = 1'-0"



DRIP TRAP INSTALLATION DETAILS
Scale 1/2" = 1'-0"

AS BUILT

REVISION	DATE	DESCRIPTION	BY	APP
△ A.B.	5-1-61	Added dimensions.	R.A.B.	EXP

CITY OF OROVILLE
BUTTE COUNTY, CALIFORNIA

SEWAGE TREATMENT PLANT
PUMPING PLANT
MECHANICAL DETAILS

DEWANTE AND STOWELL
SANITARY AND CIVIL ENGINEERS—SACRAMENTO, CALIFORNIA

DRAWN: GL
CHECKED: RHD
DATE: Mar. 1959

APPROVED: [Signature]
DATE: [Signature]

SHEET NO. 9 OF 36