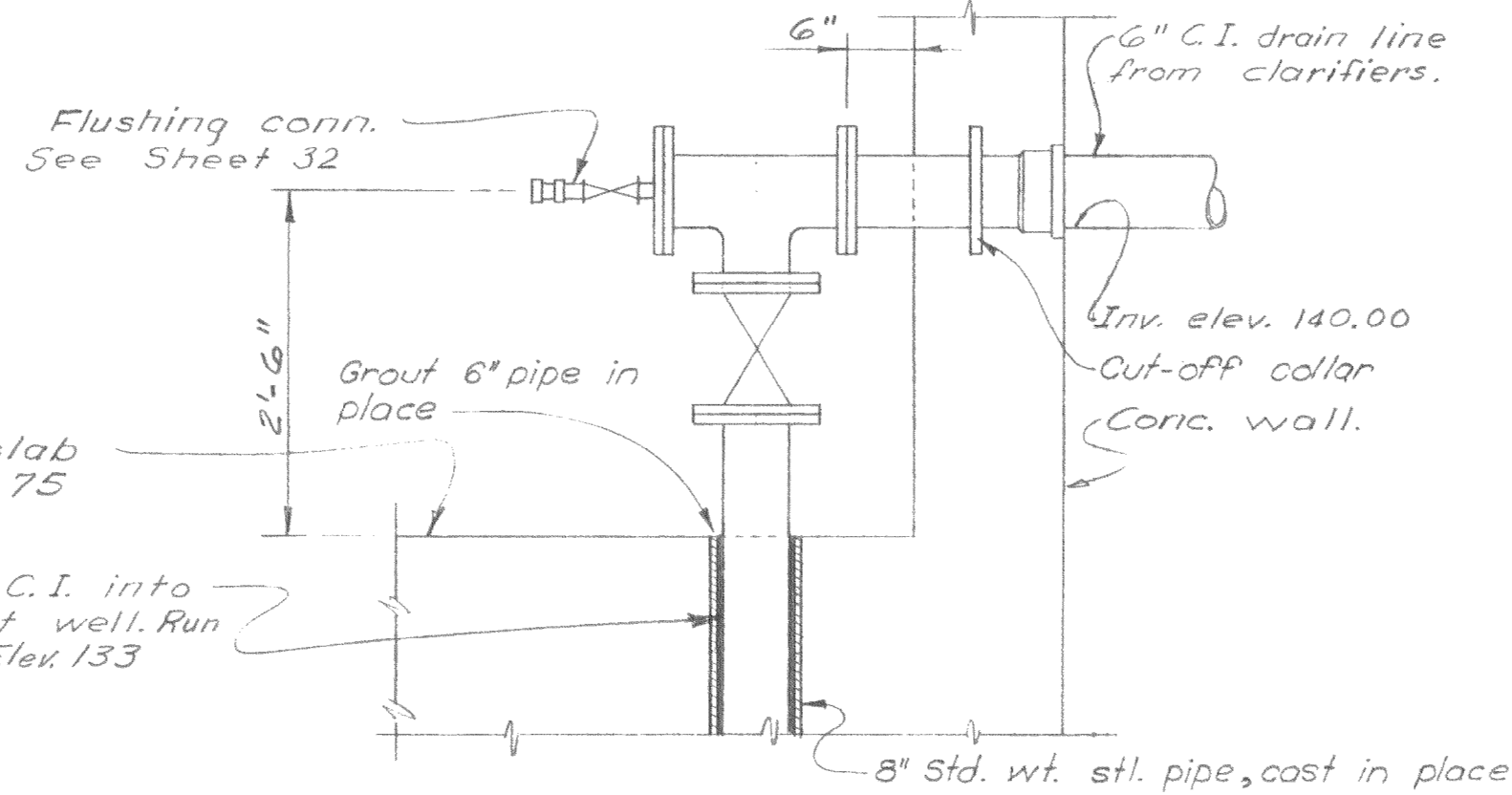
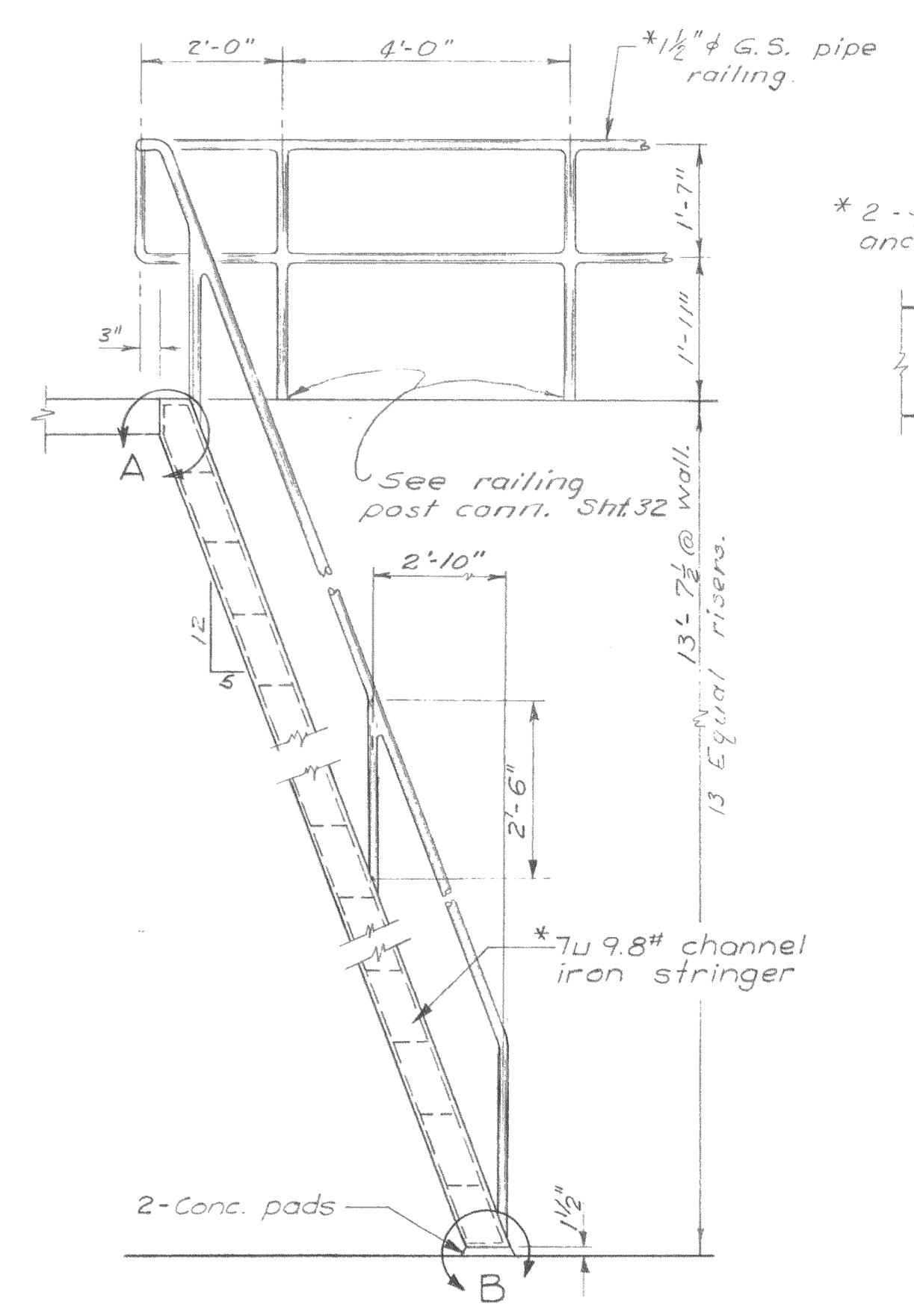


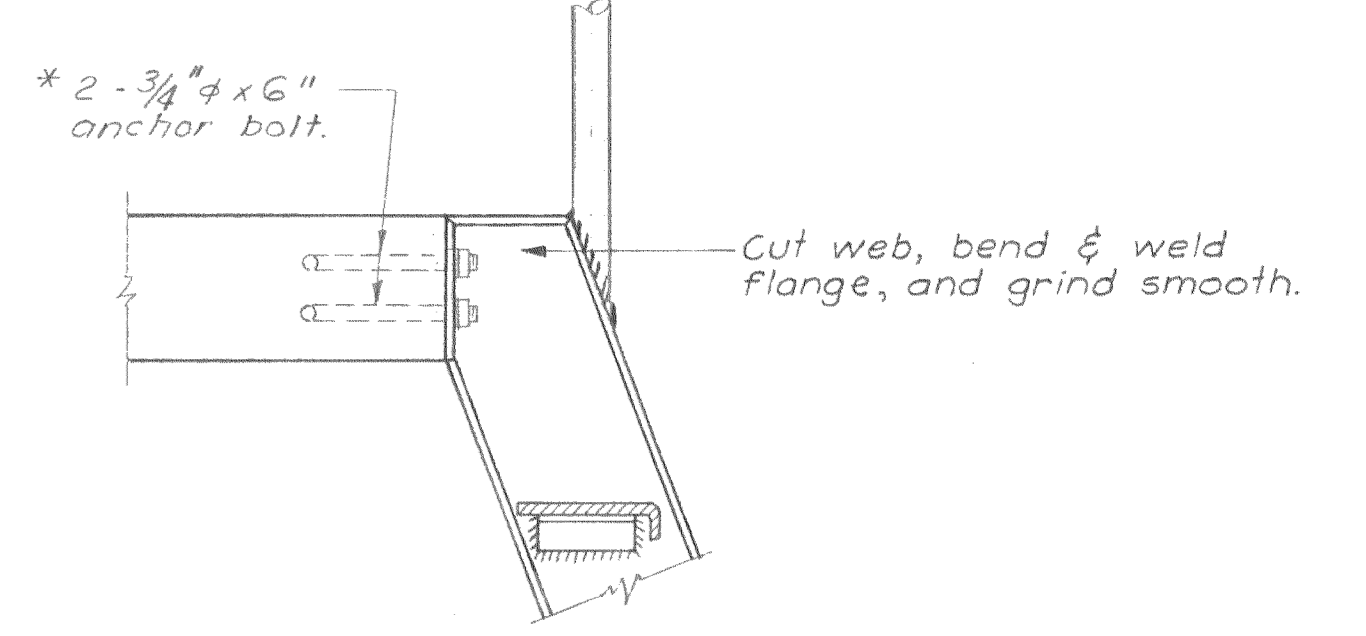
**DETAIL C**  
Scale: 1/2" = 1'-0"



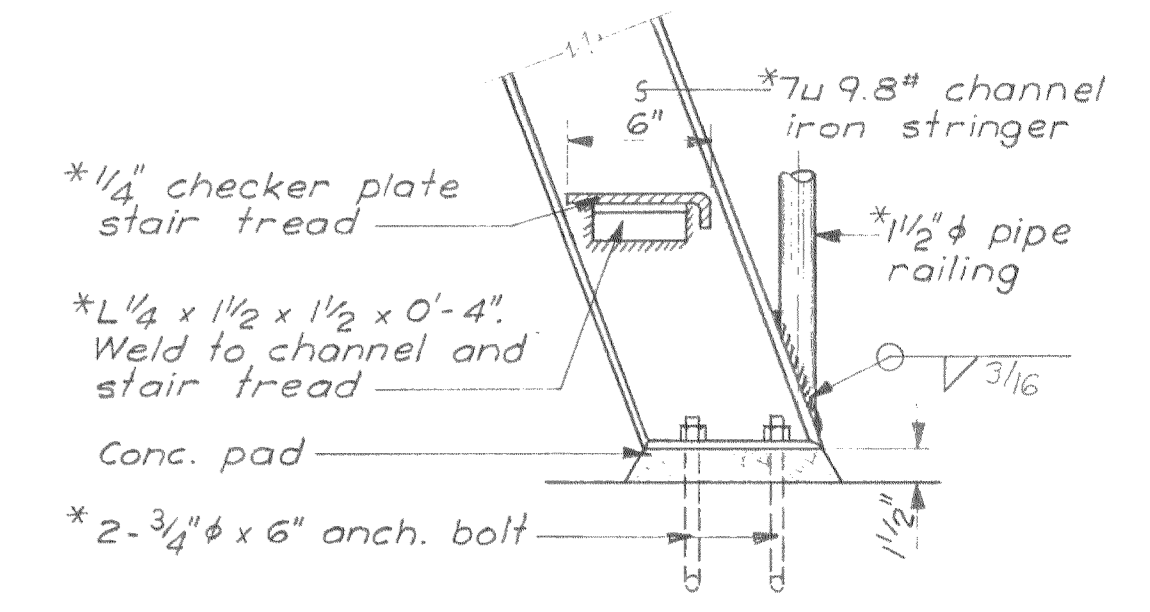
**SECTION C-C**  
Scale: 3/4" = 1'-0"



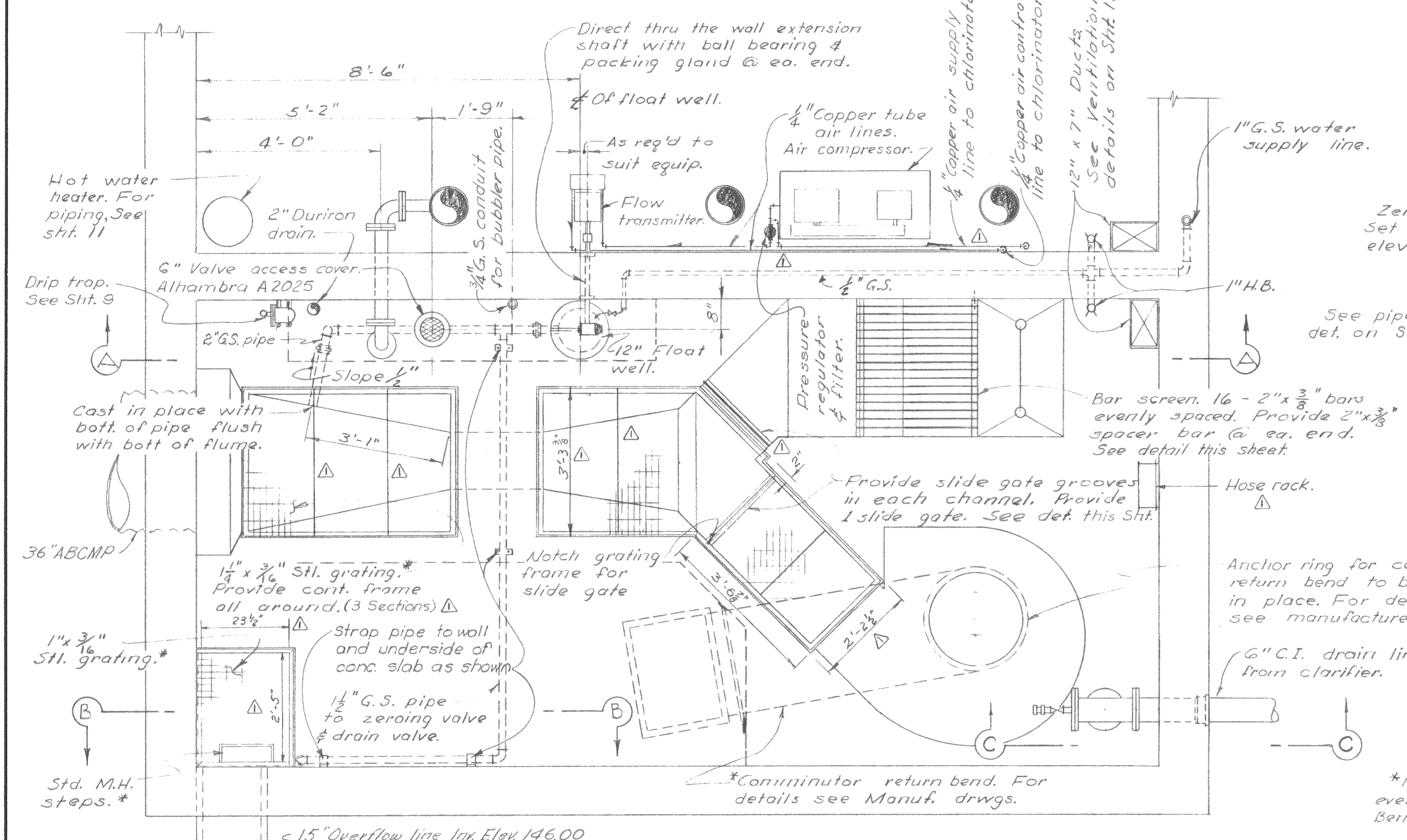
**WET WELL LADDER**  
Scale: 1/2" = 1'-0"



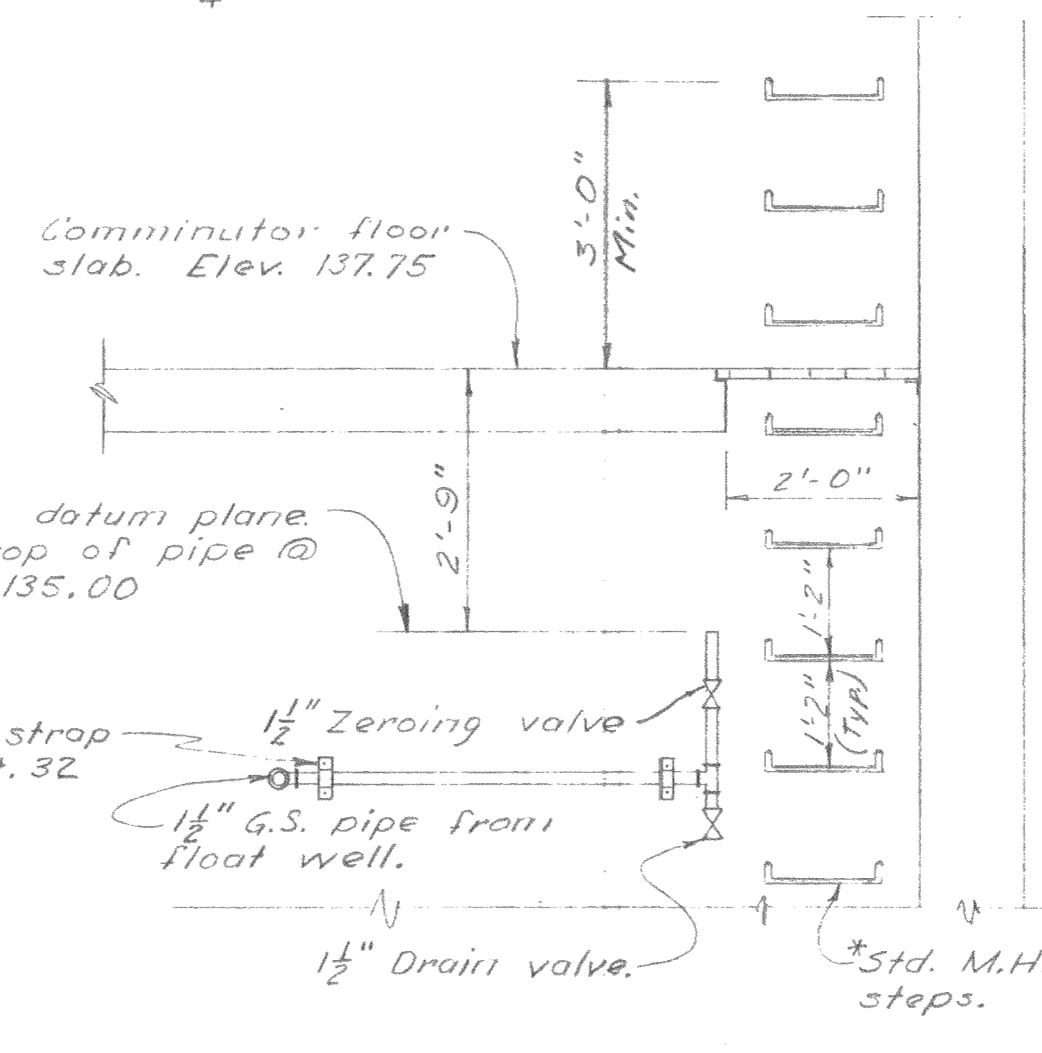
**DETAIL A**  
Scale: 1/2" = 1'-0"



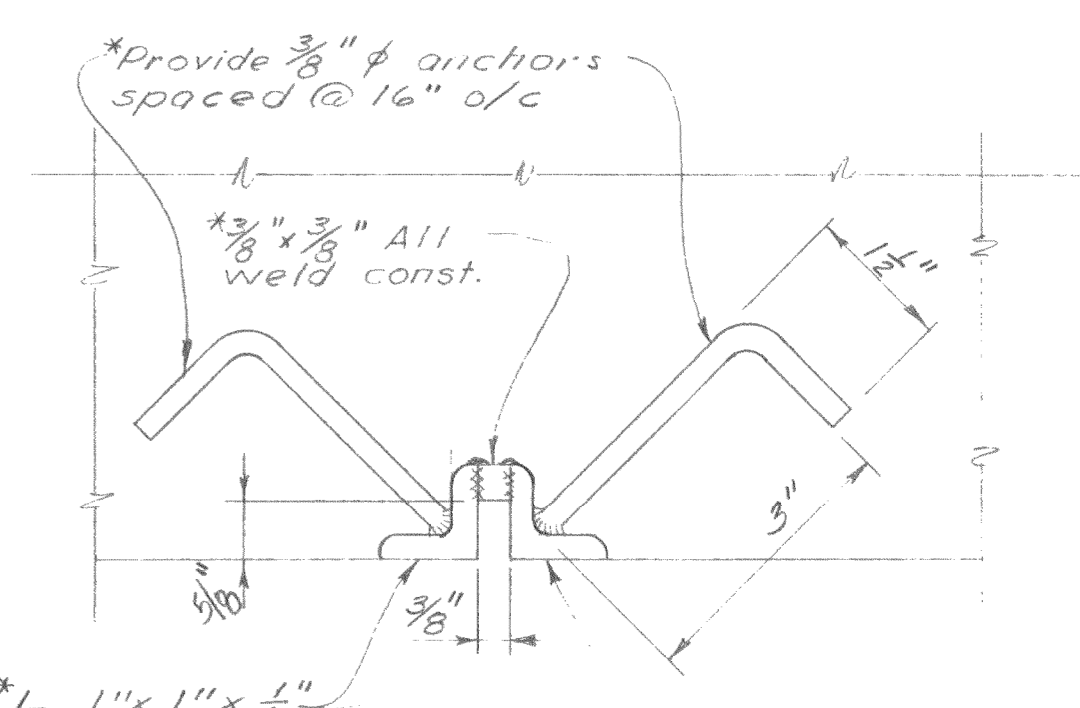
**DETAIL B**  
Scale: 1/2" = 1'-0"



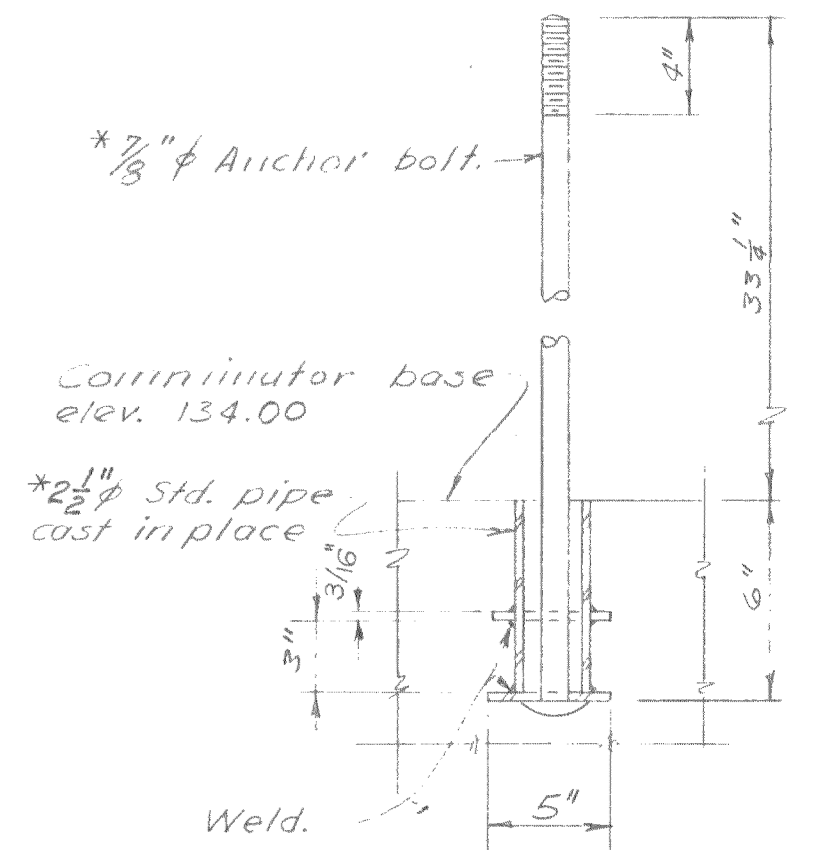
**COMMUNATOR FLOOR PLAN**  
Scale: 1/2" = 1'-0"



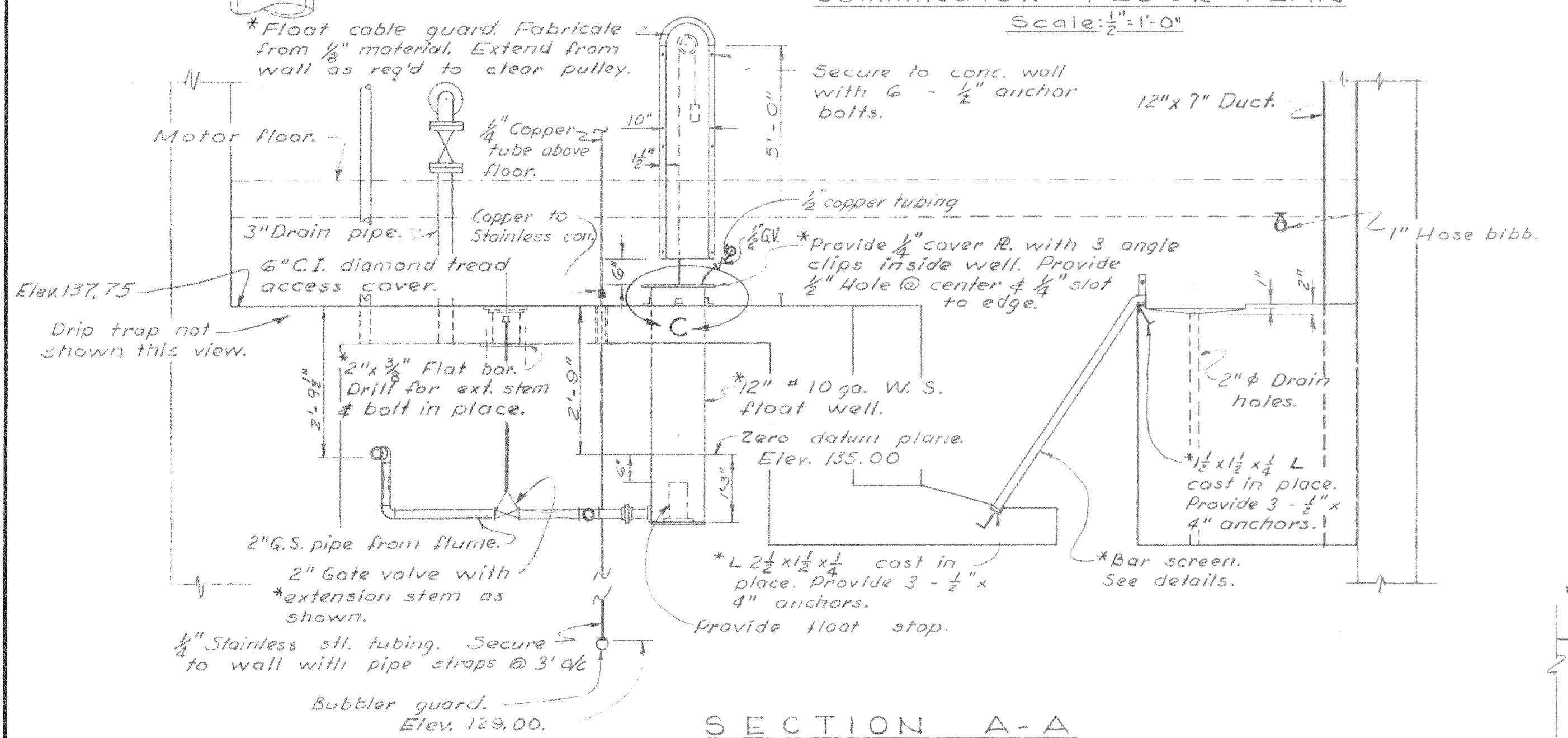
**SECTION B-B**  
Scale: 1/2" = 1'-0"



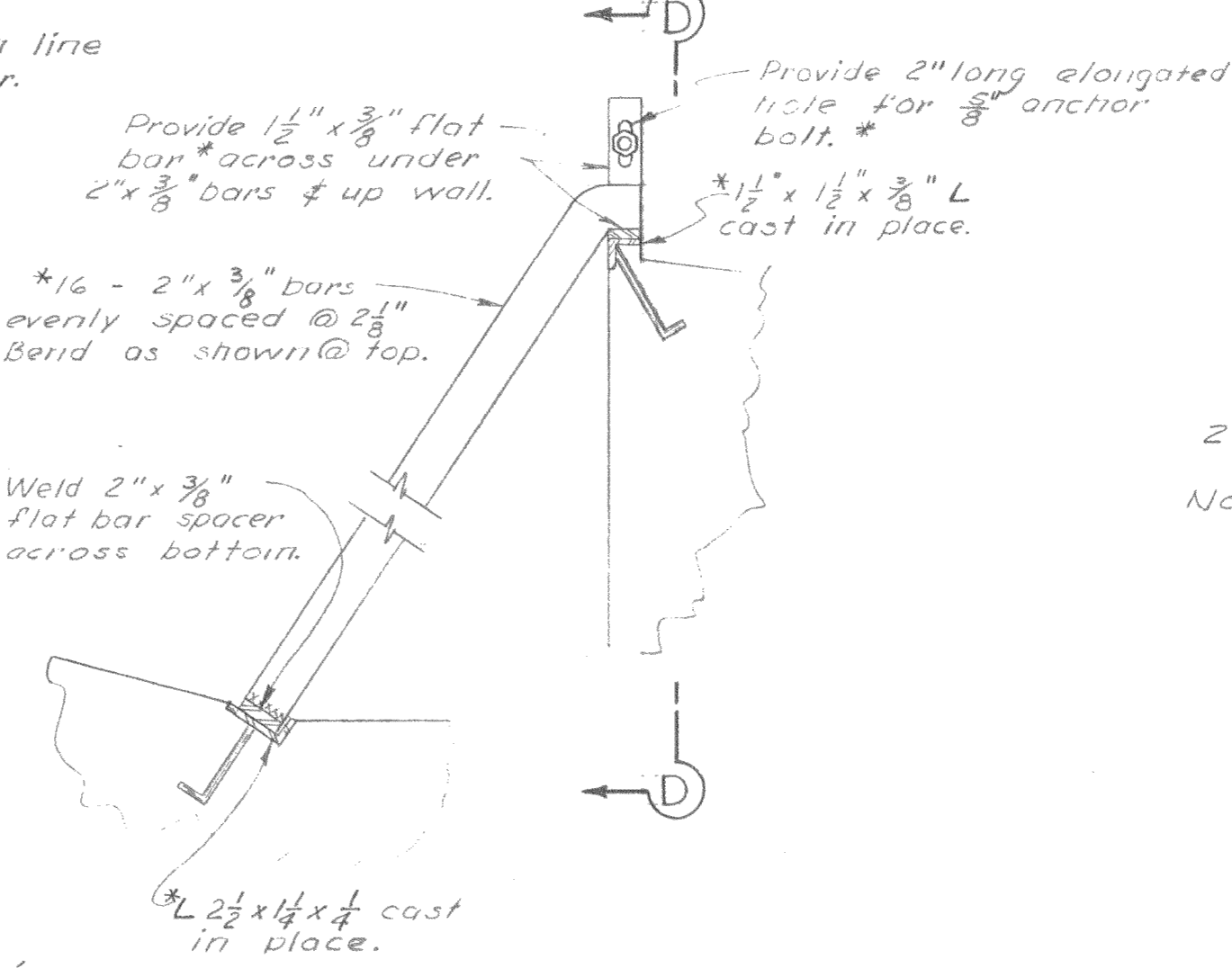
**SLIDE GATE GROOVES**  
Scale: 1/2" = 1'-0"



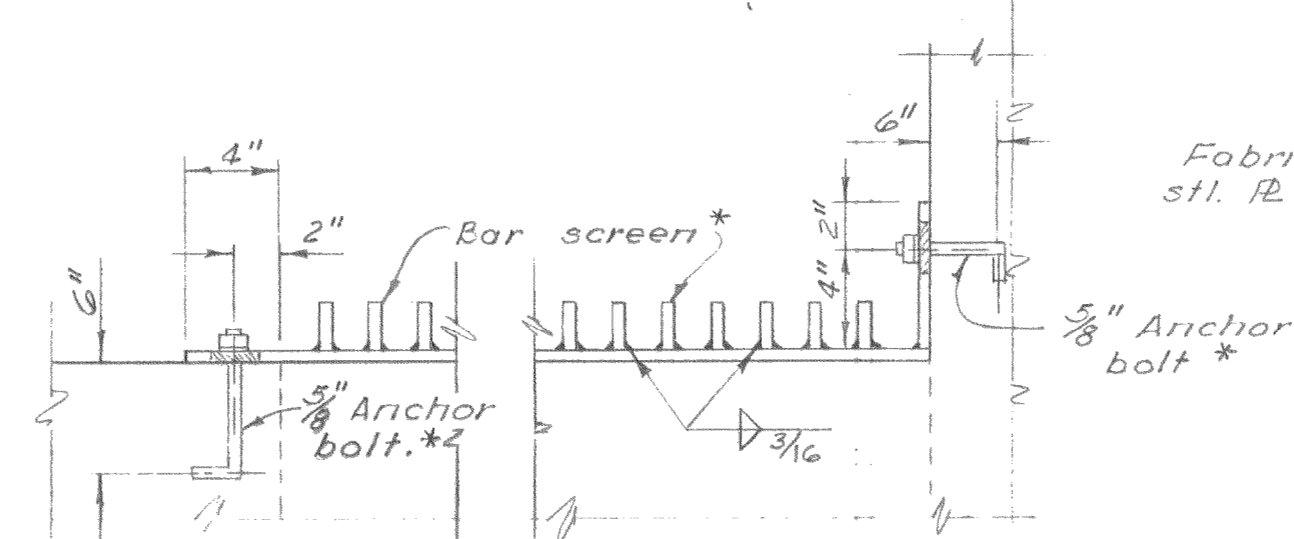
**COMMUNATOR ANCHOR BOLT**  
No Scale



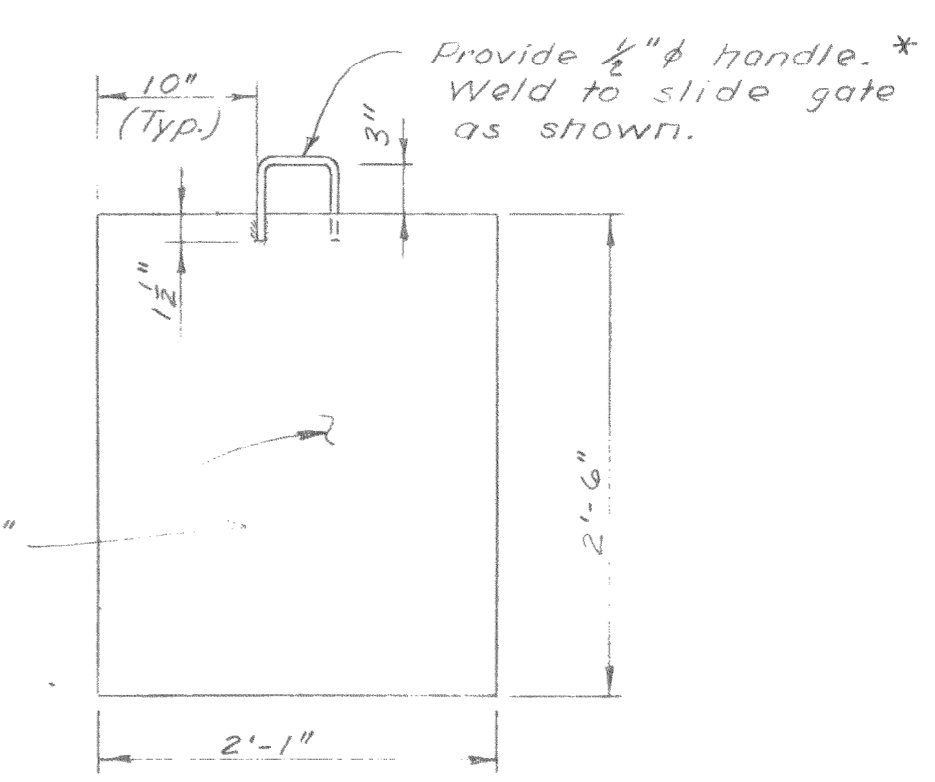
**SECTION A-A**  
Scale: 1/2" = 1'-0"



**BAR SCREEN DETAIL**  
Scale: 1/2" = 1'-0"



**SECTION D-D**  
Scale: 1/2" = 1'-0"



**SLIDE GATE**  
Scale: 1" = 1'-0"

AS BUILT			
REVISION	DATE	DESCRIPTION	BY APP
Δ A.B.	5-1-61	Added dimensions & hose rack.	R.A.B. RHD
CITY OF ORVILLE BUTTE COUNTY, CALIFORNIA			
SEWAGE TREATMENT PLANT PUMPING PLANT MECHANICAL DETAILS			
DEWANTE AND STOWELL SANITARY AND CIVIL ENGINEERS - SACRAMENTO, CALIFORNIA			
DRAWN: J.D.J.	SUBMITTED: [Signature]	CHECKED: RHD	SHEET NO. 8
DATE: Mar 1959	APPROVED: [Signature]		OF 36