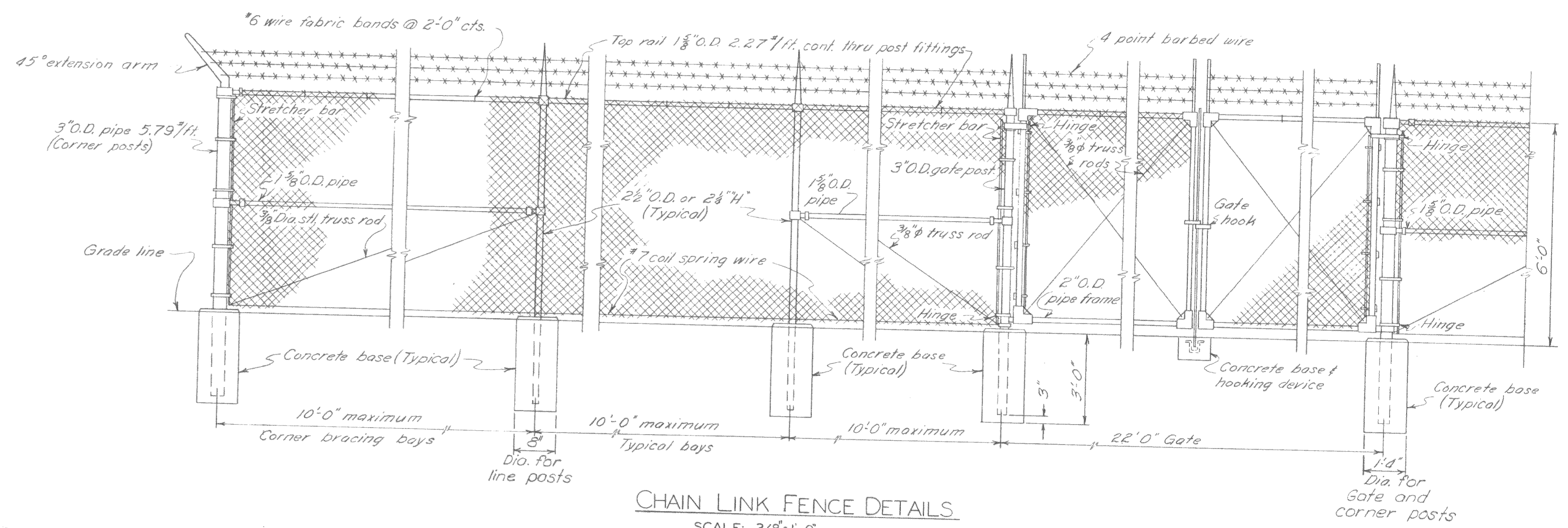
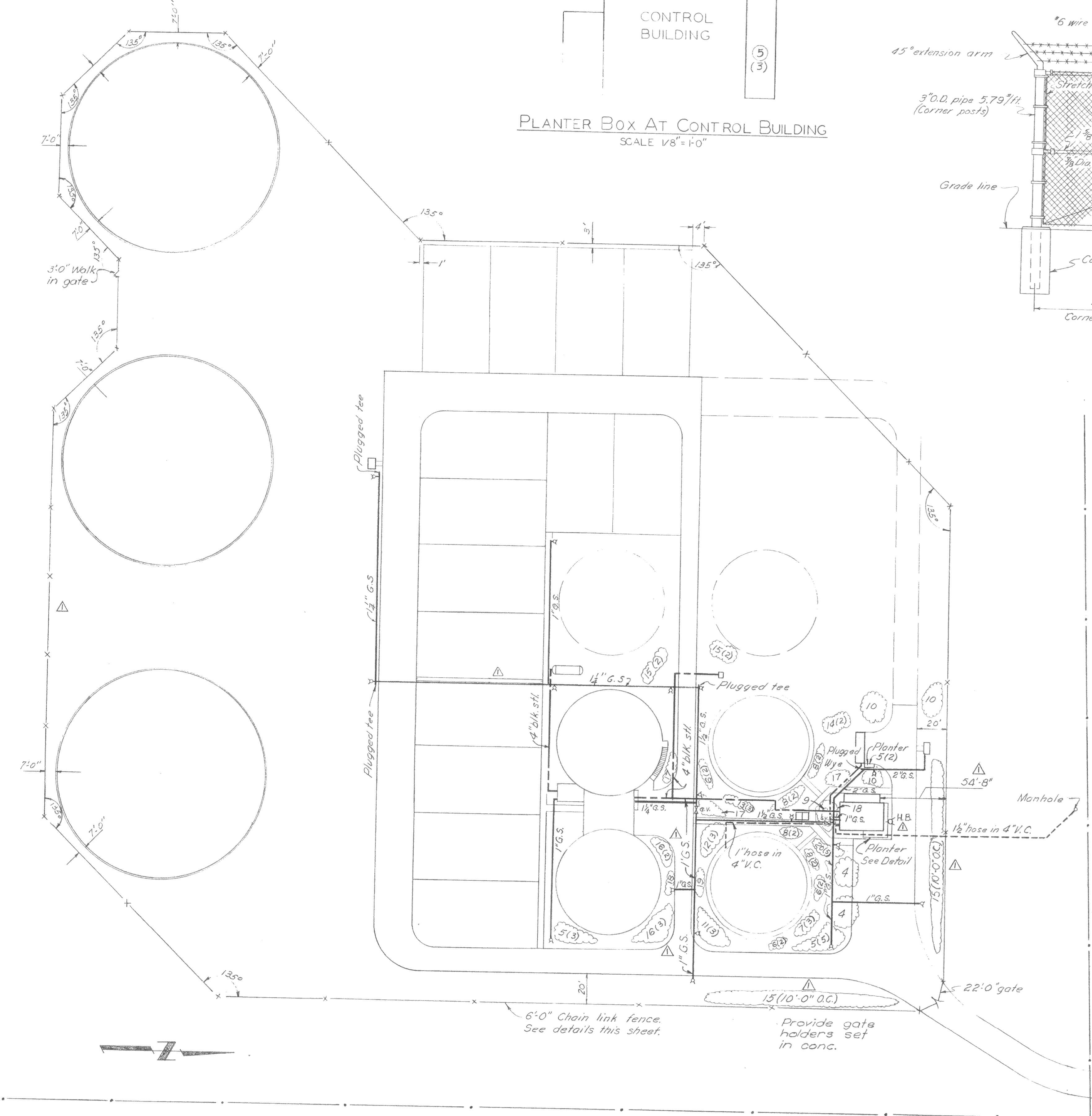


PLANTER BOX AT CONTROL BUILDING
SCALE 1/8" = 1'-0"



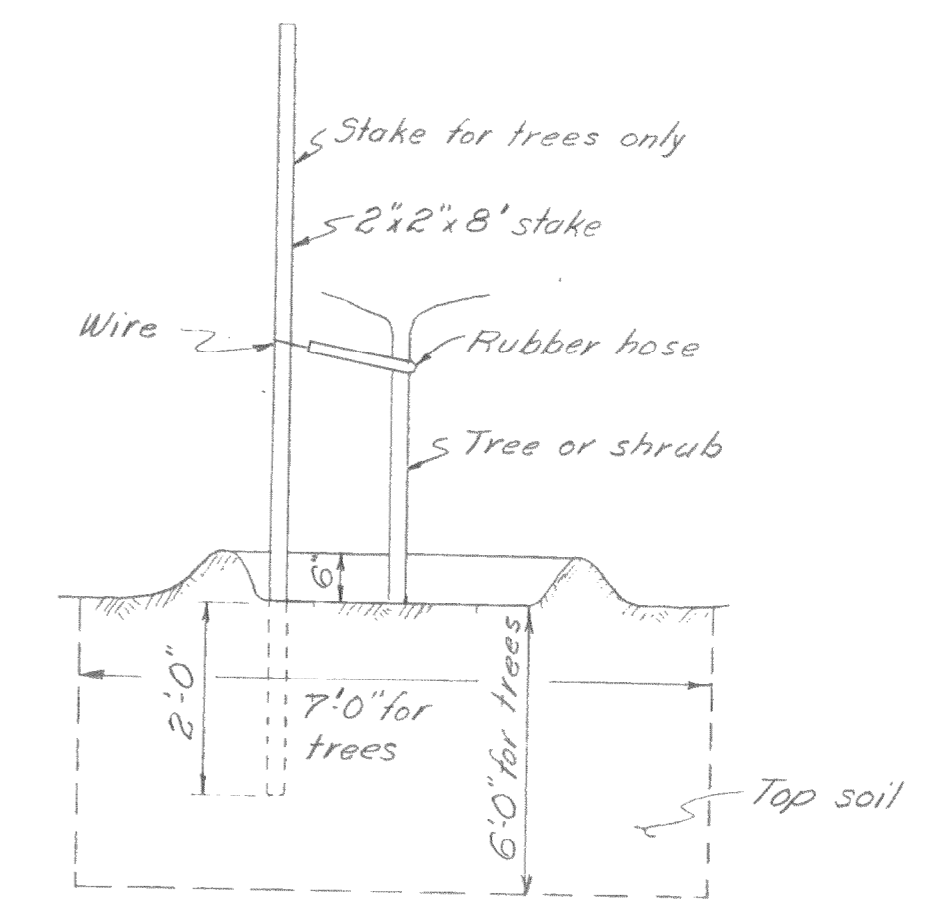
CHAIN LINK FENCE DETAILS
SCALE: 3/8" = 1'-0"



GENERAL LAYOUT
SCALE: 1" = 40'

PLANT LIST

NAME	MIN. HT. TO BE FURNISHED
1. Juniperus chinensis 'Forulosa'	15 to 18 inches
2. Mahonia aquilegifolia compacta	12 to 15 inches
4. Fraxinus glabra	5 to 6 feet
5. Juniperus sabinia Tamariscifolia (6'o.c.)	15 to 18 inches
6. Pittosporum tobira (8'o.c.)	2 to 3 feet
7. Pittosporum tobira variegata (8'o.c.)	2 to 3 feet
8. Juniperus chinensis pfitzeriana (9'o.c.)	15 to 18 inches
9. Prunus sieboldi (F. naden)	4 to 5 feet
10. Native Pine	6 feet
11. Pinus mugo mughus (8'o.c.)	1 to 2 feet
12. Abelia grandiflora (4'o.c.)	2 to 3 feet
13. Euonymus aurea marginata (5'o.c.)	2 to 3 feet
14. Cercis occidentalis	2 to 3 feet
15. Nerium Oleander	2 to 3 feet
16. Heteromeles arbutifolia	2 to 3 feet
17. Rosmarinus officinalis prostratus (4'o.c.)	9 to 12 inches
18. Cotoneaster dammeri (4'o.c.)	6 inches
19. Thyme serpyllum (15'o.c.)	6 inches
20. Gardenia Veitchi (4'o.c.)	1 1/2 to 2 feet



WATER COLLAR FOR ALL TREES & SHRUBS
NO SCALE

LEGEND

- Water Lines
- Gas Lines
- ⊥ Hose Bibbs
- Chlorine Solution Conduits
- Chlorine Gas Line (3/4")
- ⊕ Gate Valve
- x-x- Chain Link Fence
- - - Property Line
- (2) Indicates Number of plants in group

CITY OF OROVILLE
BUTTE COUNTY, CALIFORNIA

SEWAGE TREATMENT PLANT
PLANTING, FENCING
& SMALL PIPING

DEWANTE AND STOWELL
SANITARY AND CIVIL ENGINEERS - SACRAMENTO, CALIFORNIA

DRAWN: L.R.K.	SUBMITTED: <i>[Signature]</i>	SHEET NO. 4
CHECKED: R.H.D.	APPROVED: <i>[Signature]</i>	OF 36
DATE: Mar. 1959		

AS BUILT

REVISION	DATE	DESCRIPTION	BY	APP
△ AB	5-1-61	Relocated fence. Changed pipe mat & plant spacing.	RAB	W.S.