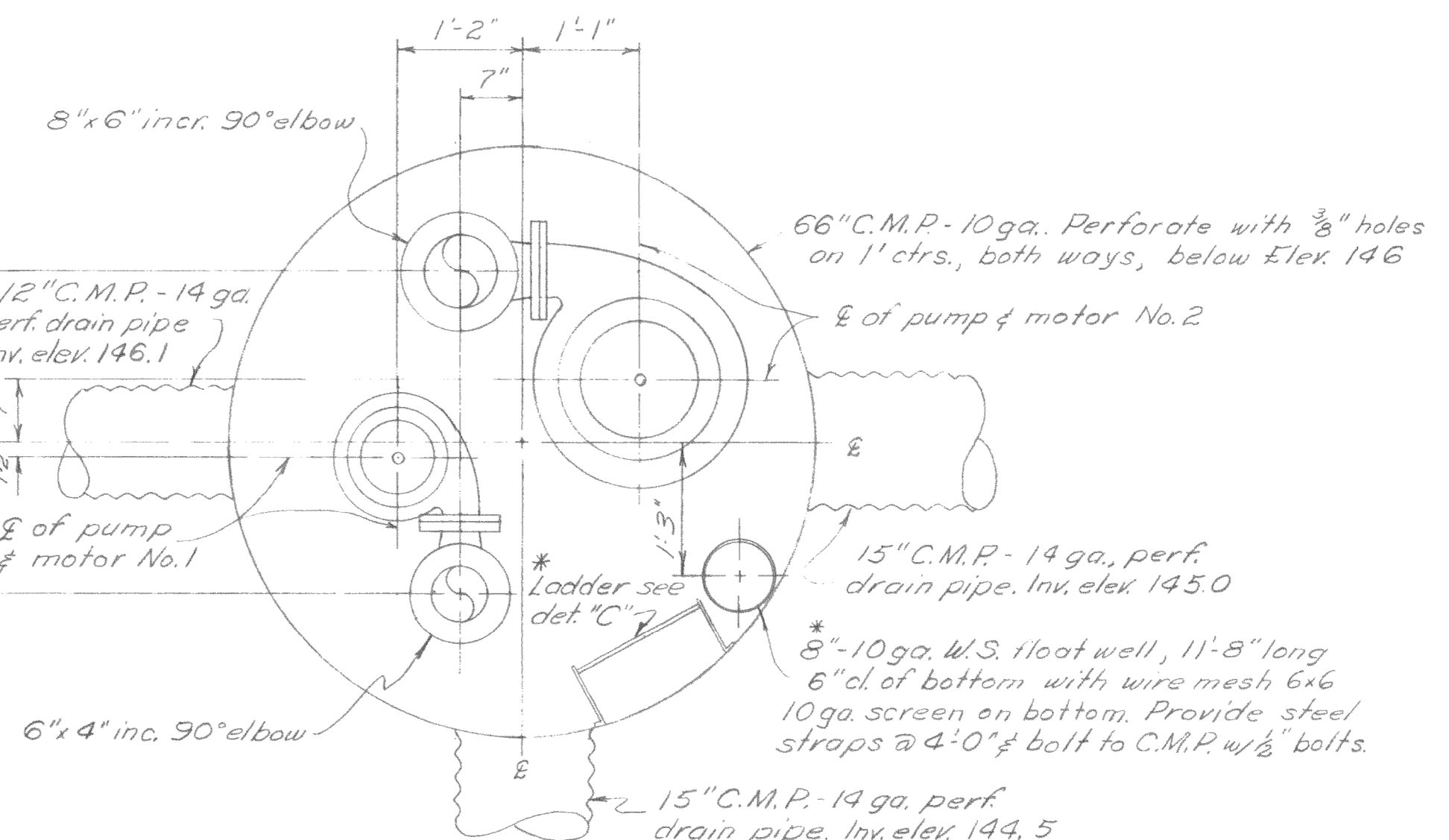
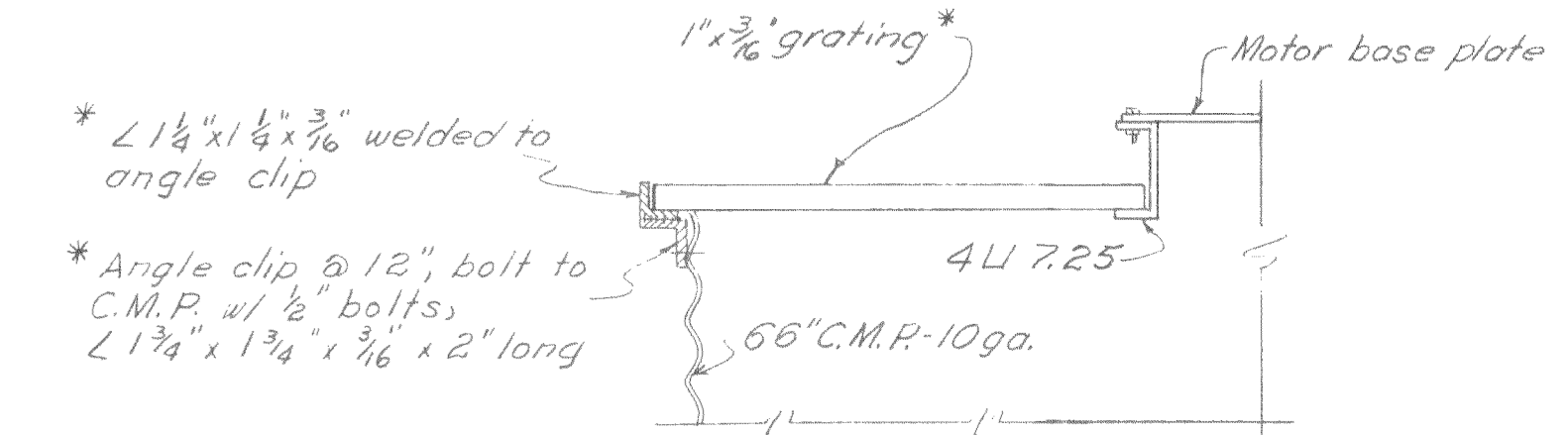


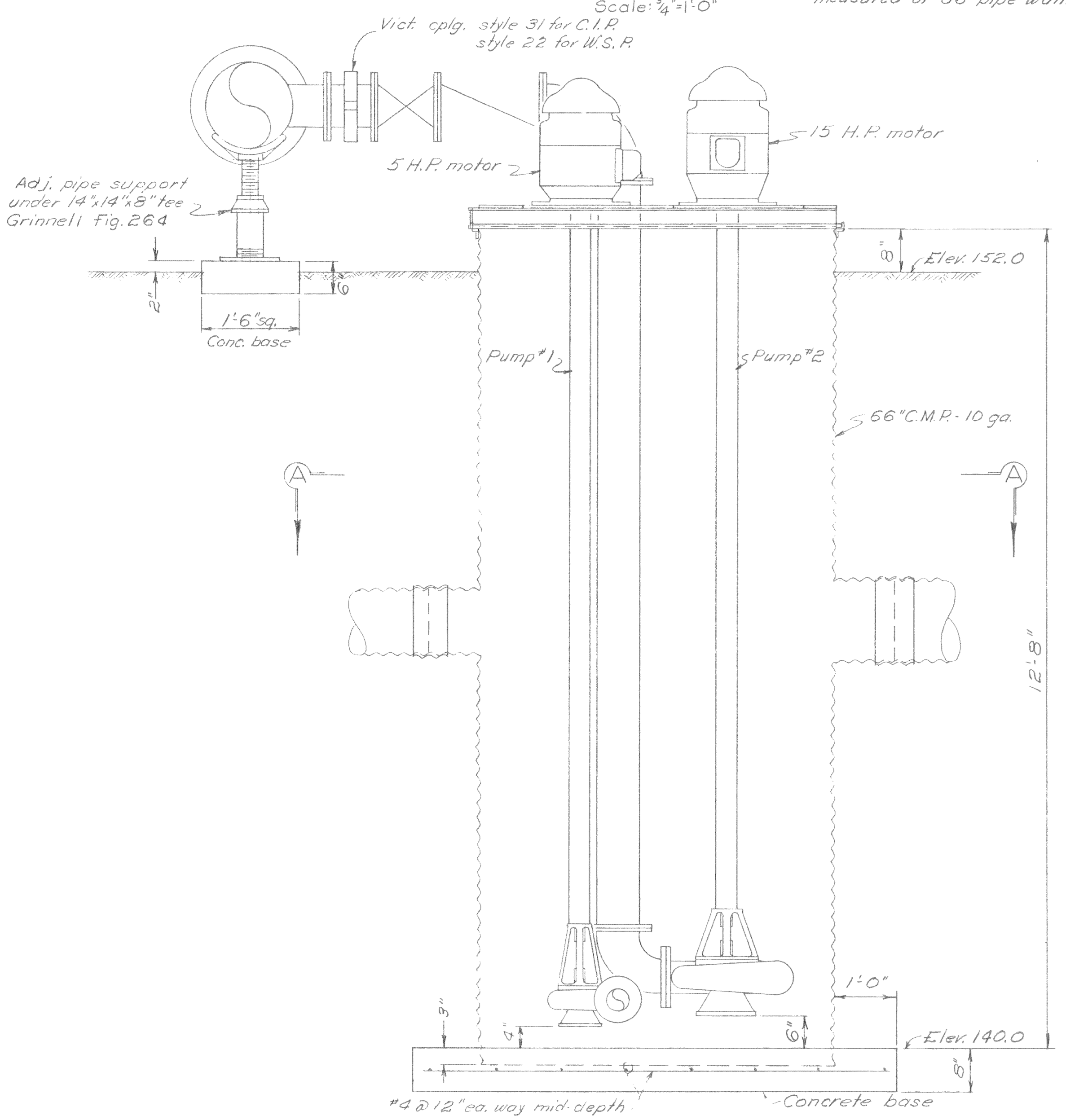
PLAN
Scale: 3/4" = 1'-0"
Note: Dimensions along arc are measured at 66" pipe wall.



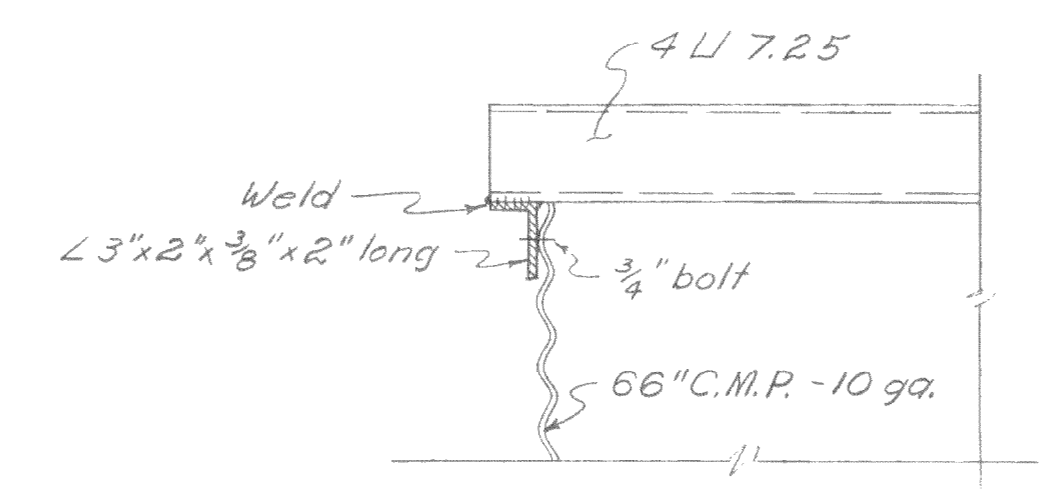
SECTION A-A
Scale: 3/4" = 1'-0"



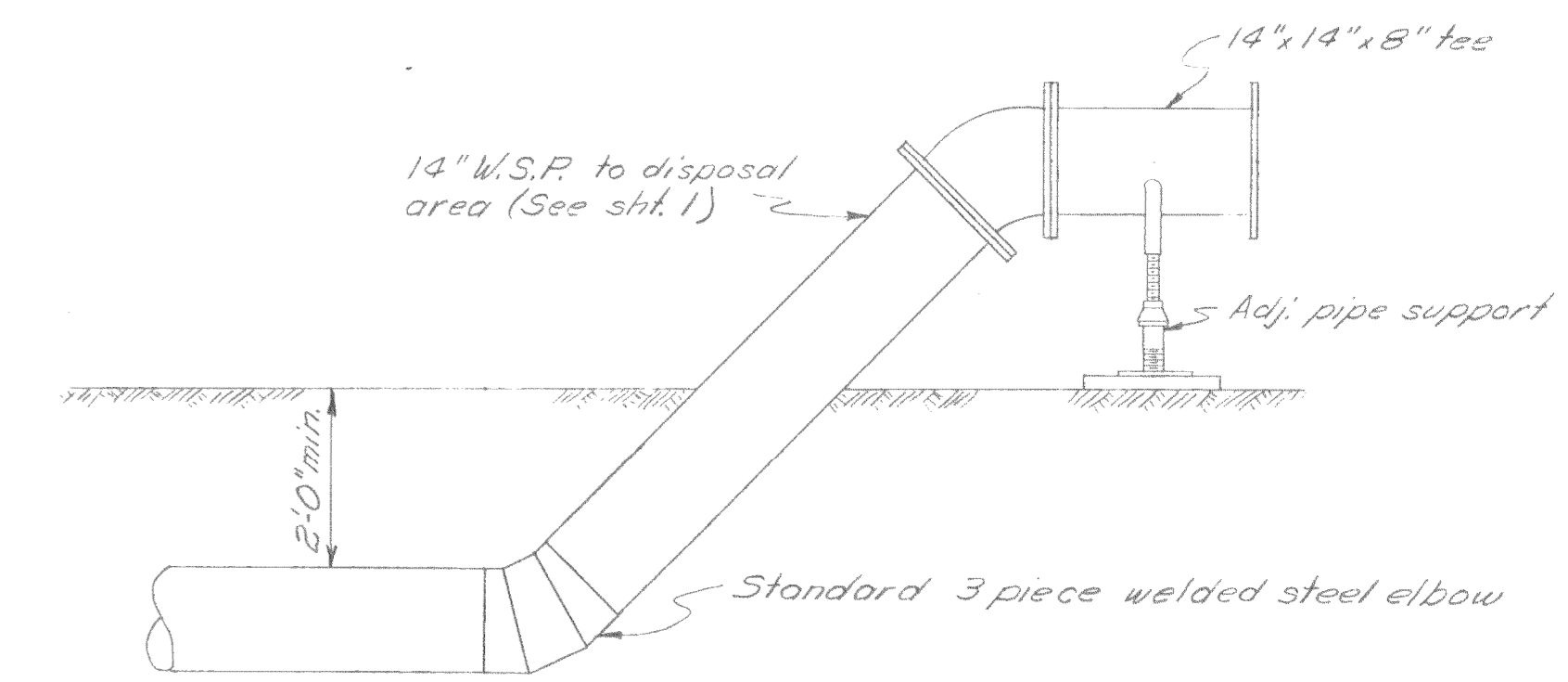
DETAIL "A"
No Scale



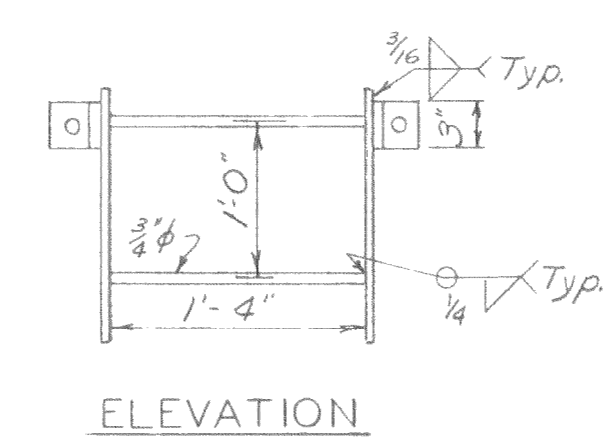
SECTION B-B
Scale: 3/4" = 1'-0"



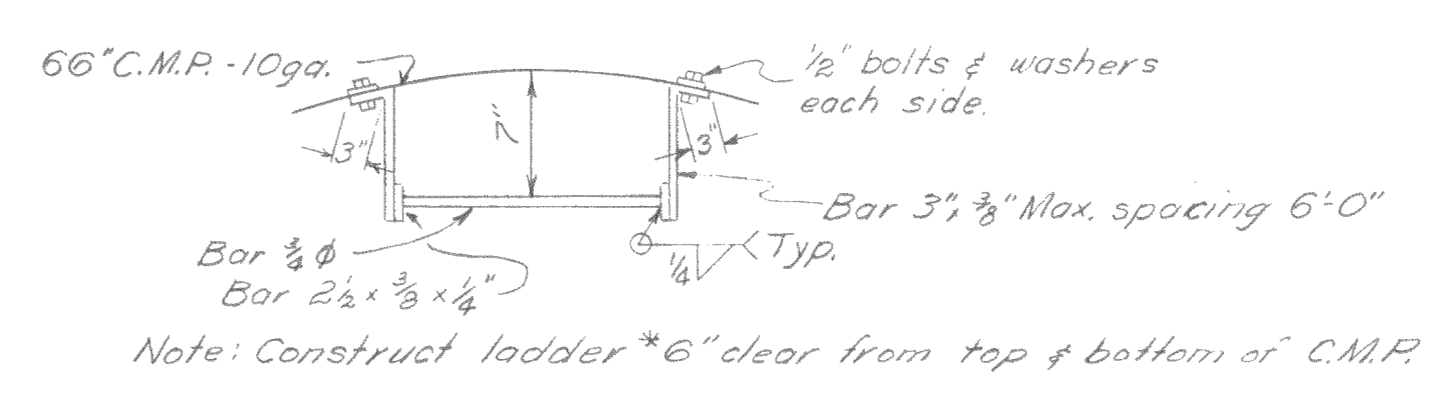
DETAIL "B"
No Scale
(4 req'd)



SECTION C-C
Scale: 1/2" = 1'-0"



ELEVATION



PLAN
LADDER DETAIL
No Scale

GENERAL NOTES & SPECIFICATIONS

- See Notes 1 & 4, Sht. 1.
- Pipe & fittings shall be either cast iron or No. 10 gage welded steel pipe, conforming to P 4-02 & 4-03 of specs.
- Pumps shall be Fairbanks Morse, Fig. 6715, as follows:

No.	Size	Speed	H.P.	Disch.	T.D.H.
1	4"	1750 R.P.M.	5	500 gpm	32 ft.
2	6"	1150 R.P.M.	15	1400 gpm	35 ft.
- C.M.P. means corrugated metal pipe conforming to AASHTO: M36, galvanized.
- Float switch shall be "Selectrol", Type M-2, NEMA IV Enclosure Switch shall be set as follows:

Rising Level	Falling Level
Elev. 144.0 start Pump #1	Elev. 145.0 stop Pump #1
Elev. 145.5 stop #1, start #2	Elev. 143.0 stop #2, start #1
Elev. 146.0 start #1	Elev. 142.0 stop #1
- Gate & check valves shall be as per P 4-13 of specs.
- Piping & equipment shall be painted as per Sec. 14 of specs.
- * Indicates galvanize after fabrication.

CITY OF OROVILLE
BUTTE COUNTY, CALIFORNIA
AUXILIARY SEWAGE DISPOSAL FACILITIES
COLLECTION WELL

DEWANTE AND STOWELL
SANITARY AND CIVIL ENGINEERS—SACRAMENTO, CALIFORNIA

DRAWN: L.R.K.	SUBMITTED: <i>L.R.K.</i>	SHEET NO. 2
CHECKED: R.H.D.	APPROVED: <i>R.H.D.</i>	of 2
DATE: Sept. 1959		