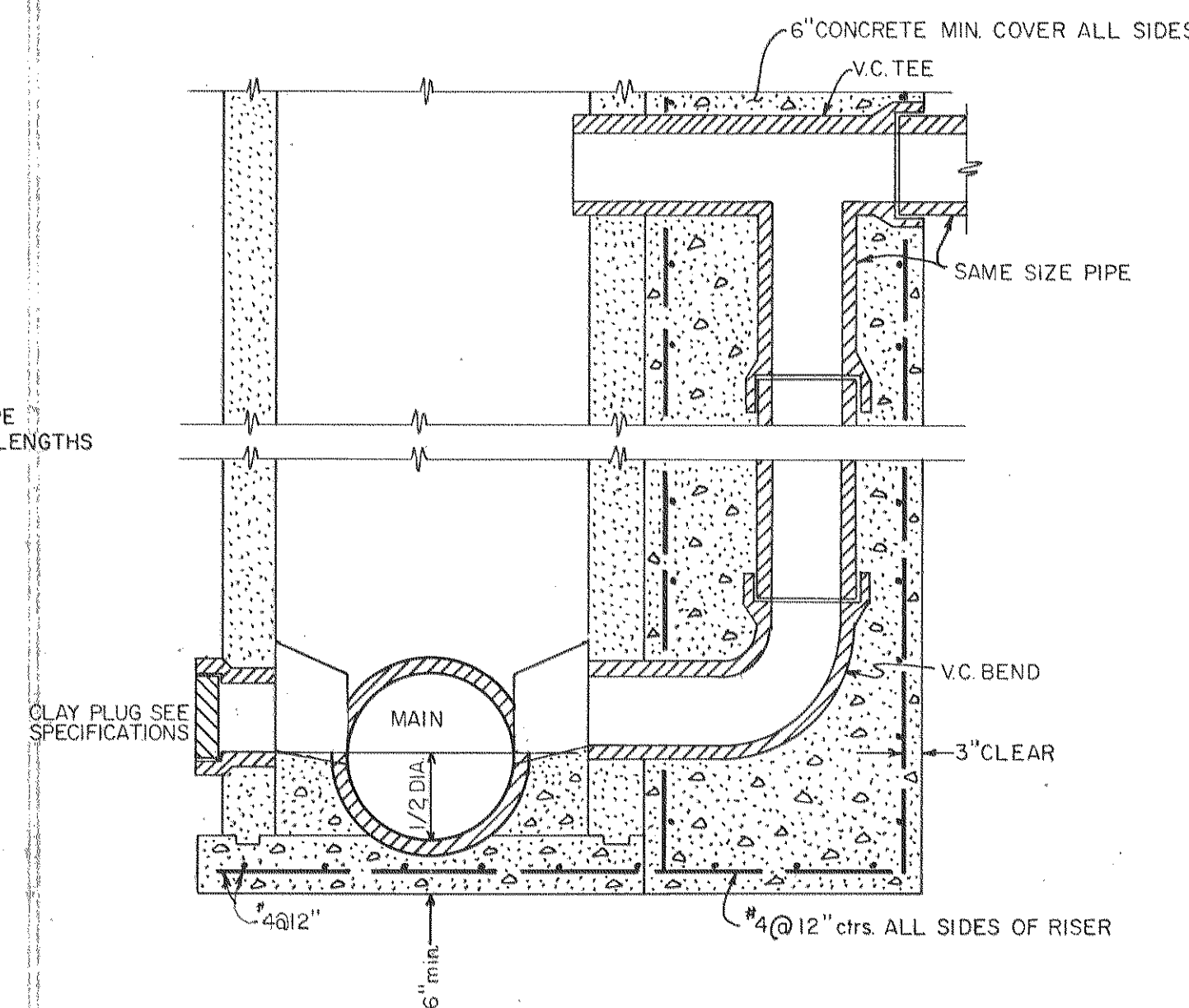


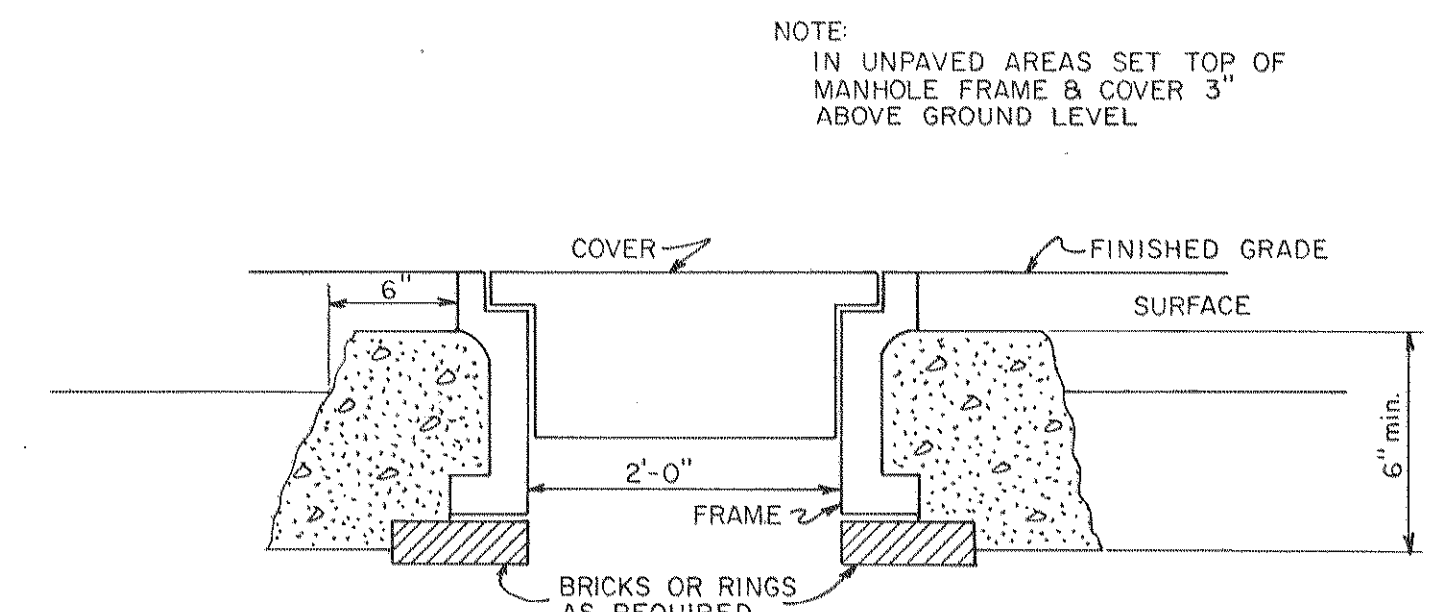
STANDARD MANHOLES PRECAST CONCRETE OR BRICK

NO SCALE



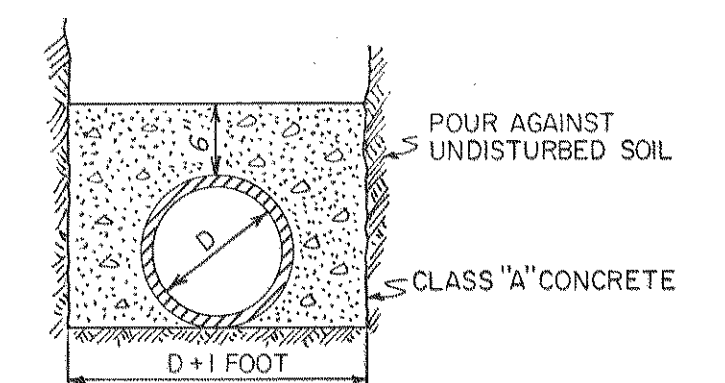
TYPICAL STUB & DROP MANHOLE

NO SCALE



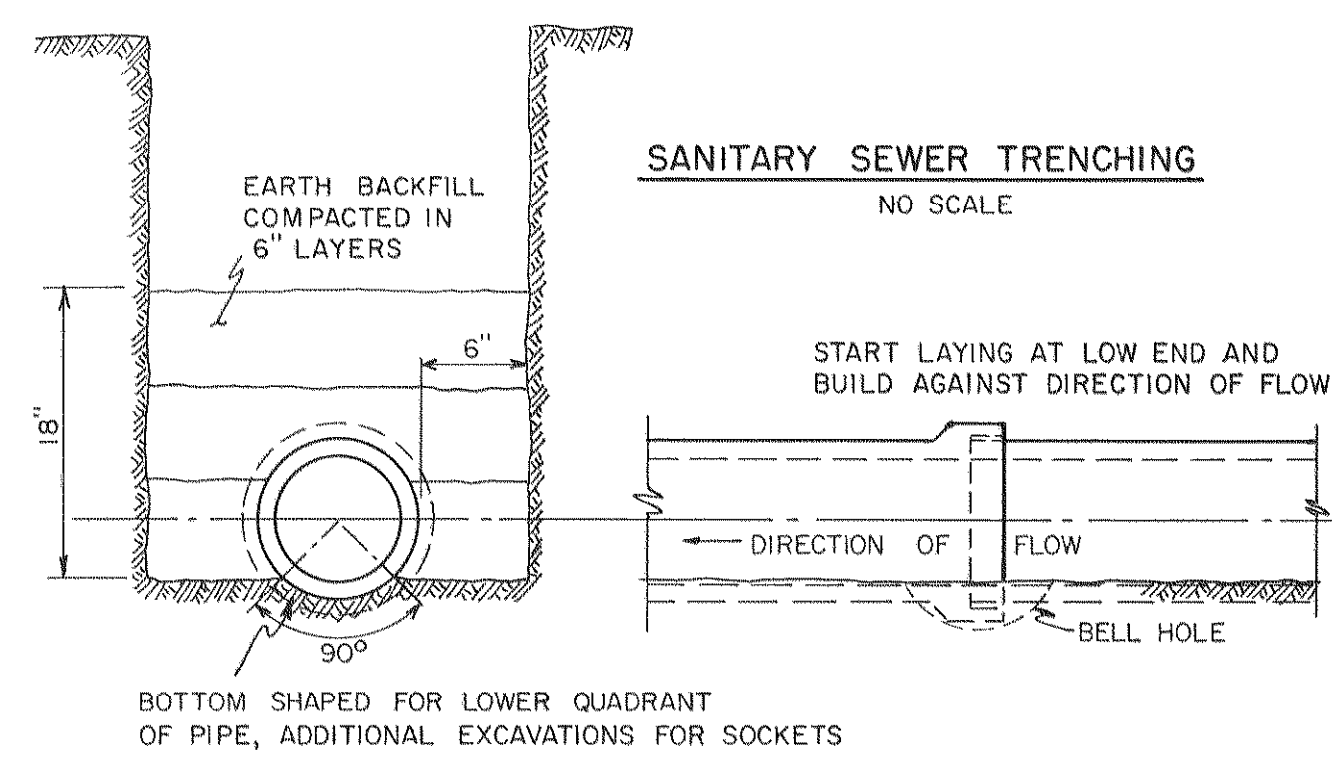
METHOD OF SETTING MANHOLE RING & COVER

NO SCALE



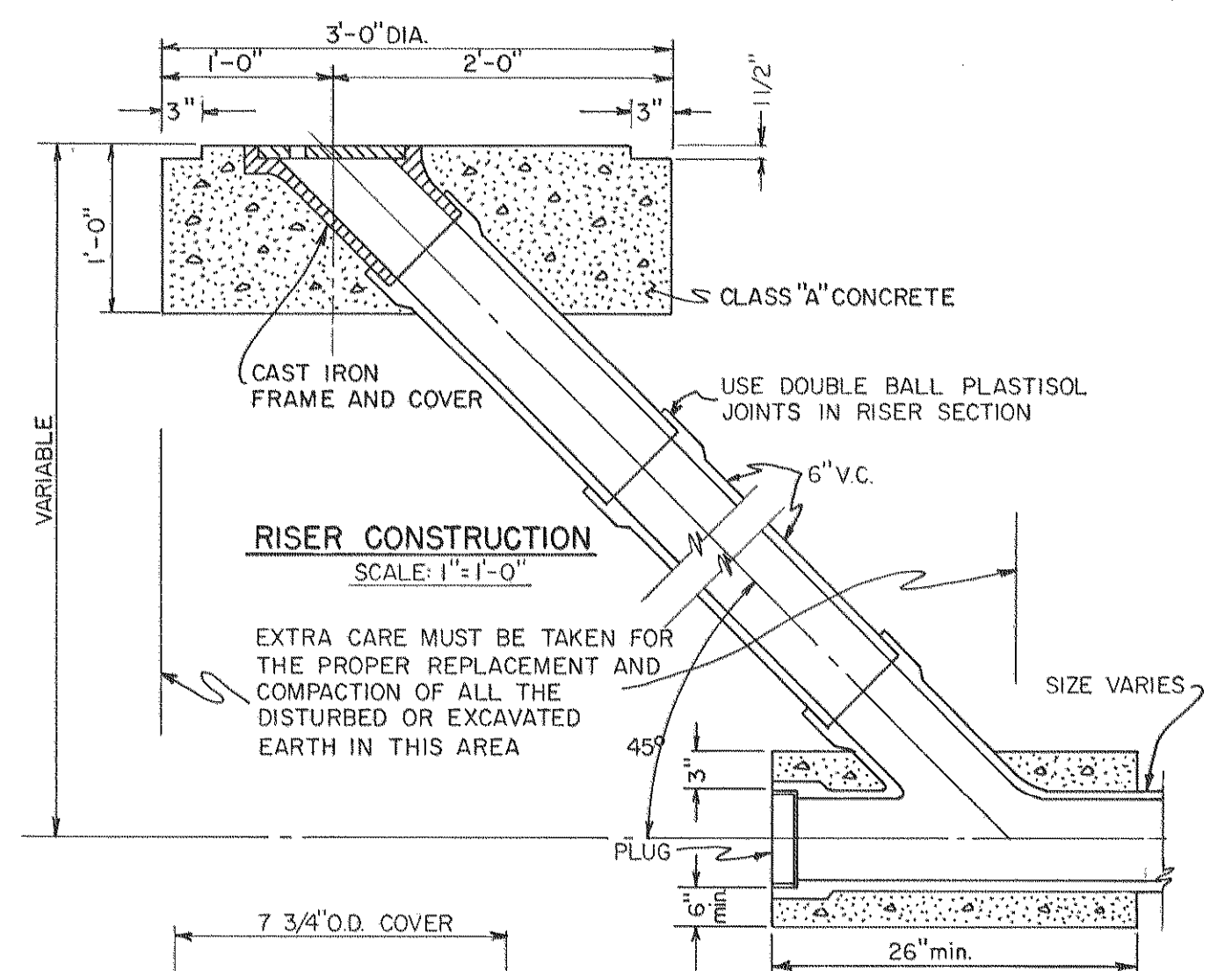
PIPE ENCASEMENT

NO SCALE



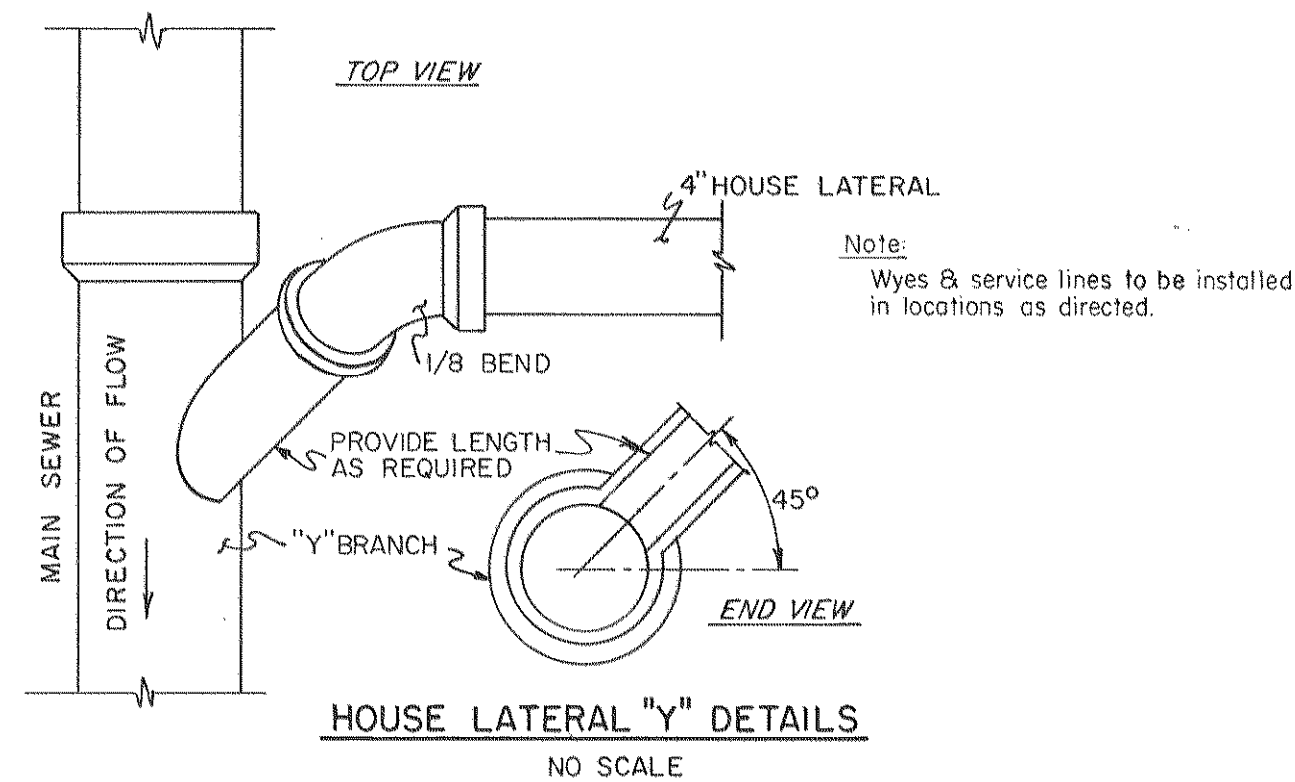
SANITARY SEWER TRENCHING

NO SCALE



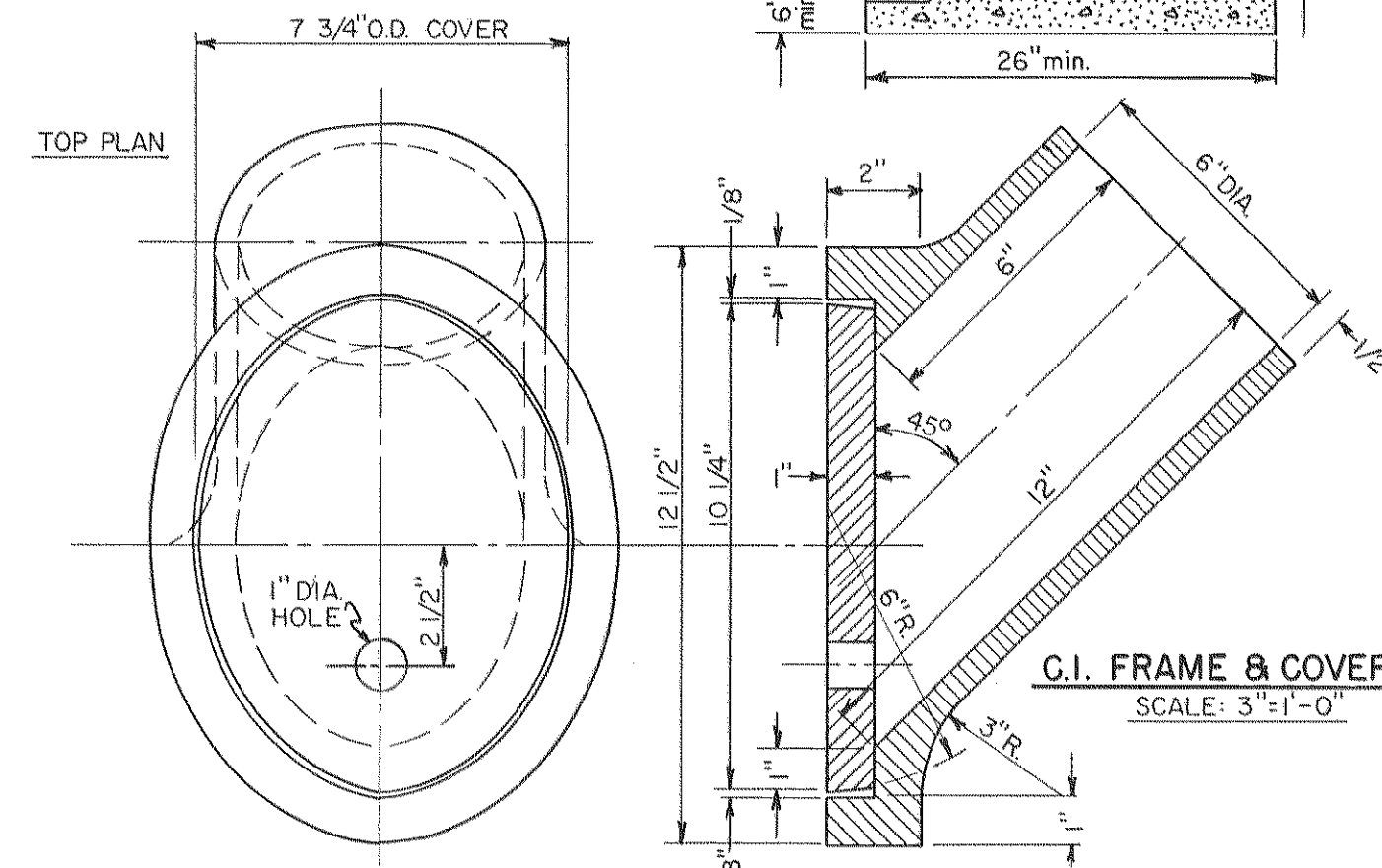
RISER CONSTRUCTION

SCALE: 1/2"=1'-0"



HOUSE LATERAL "Y" DETAILS

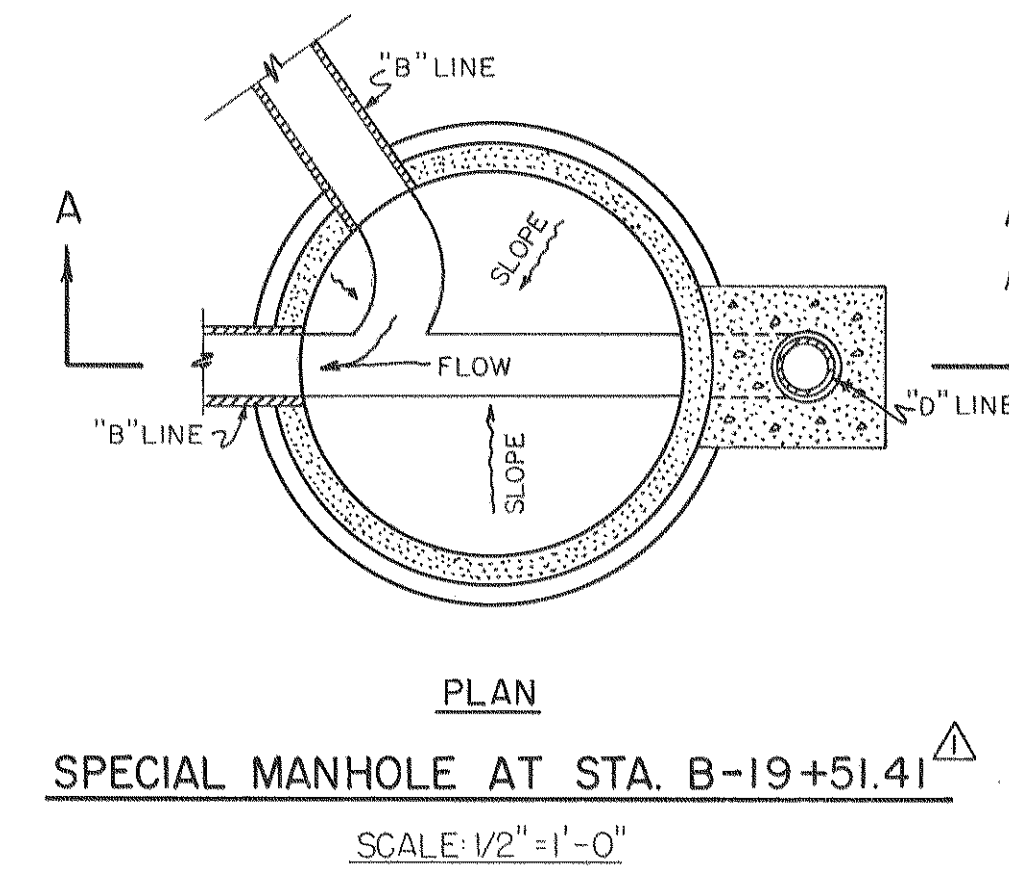
NO SCALE



C.I. FRAME & COVER

SCALE: 3/8"=1'-0"

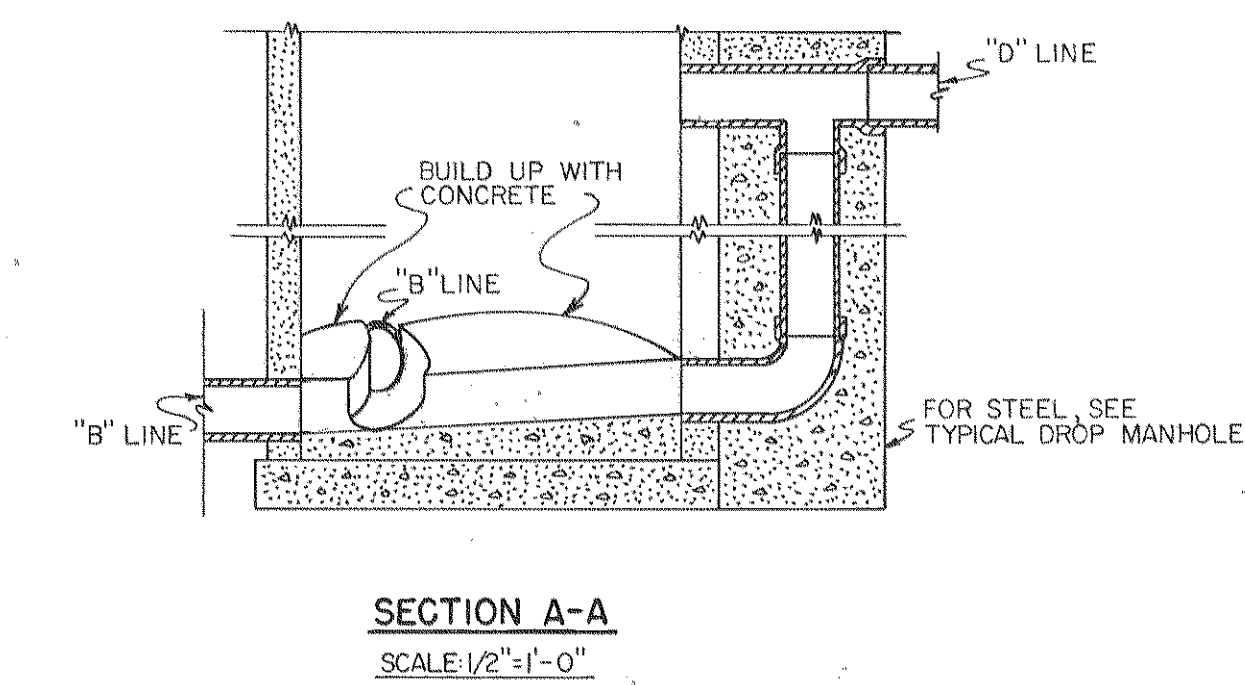
CITY OF OROVILLE, STANDARD S 28



PLAN

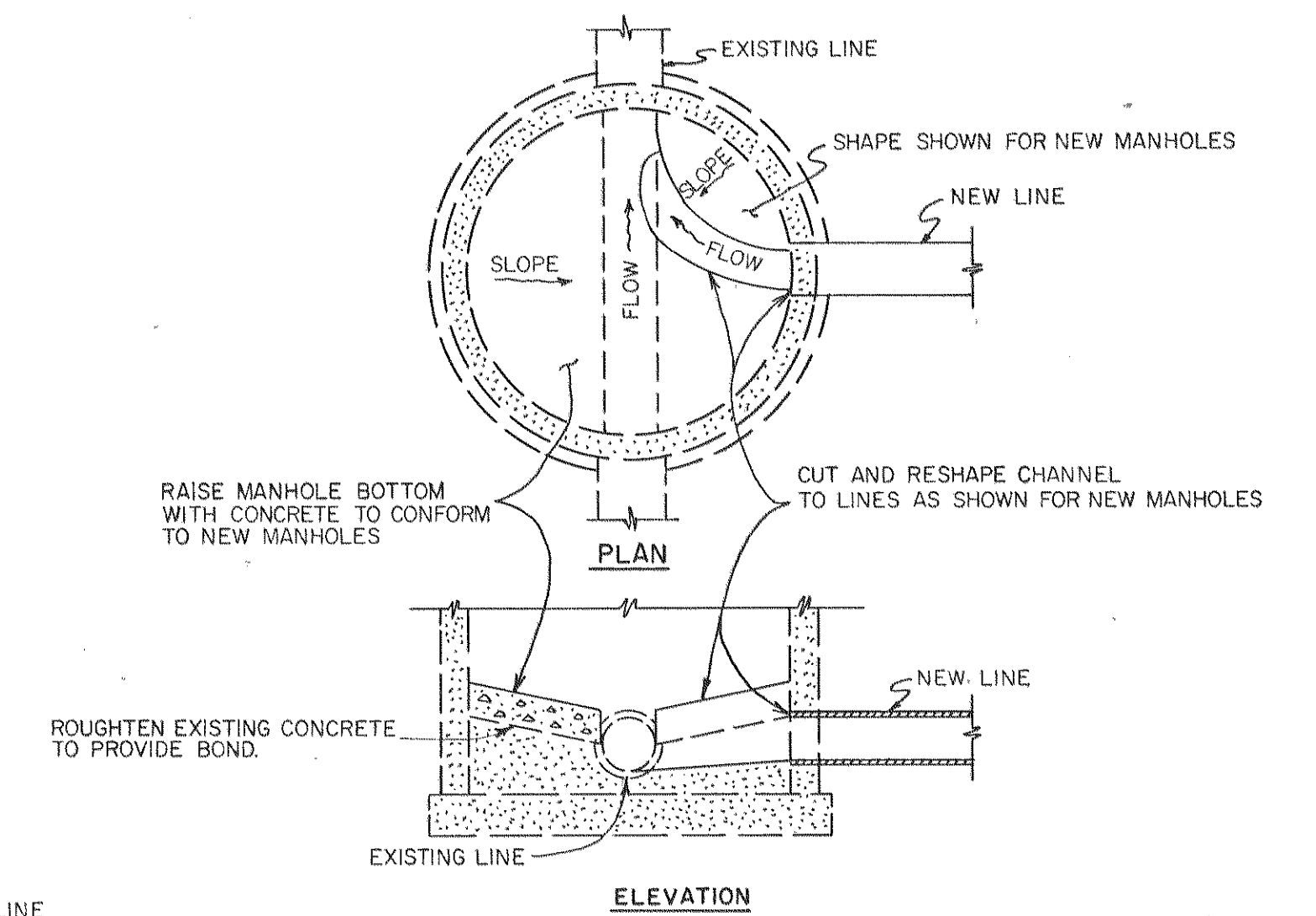
SPECIAL MANHOLE AT STA. B-19+51.41

SCALE: 1/2"=1'-0"



SECTION A-A

SCALE: 1/2"=1'-0"



MODIFICATION EXISTING MANHOLES

SCALE: 1/2"=1'-0"

AS BUILT

REV.	DATE	DESCRIPTION	BY	APP.
AB 11359		Revised stationing		L.R.K.
FEATHER PORTALS ASSESSMENT DISTRICT OROVILLE, CALIFORNIA				
SANITARY SEWER SYSTEM MISCELLANEOUS DETAILS				
DEWANTE AND STOWELL SANITARY AND CIVIL ENGINEERS - SACRAMENTO, CALIFORNIA				
DRAWN: L.R.K.	CHECKED: NEW	APPROVED: <i>[Signature]</i>	SUBMITTED: <i>[Signature]</i>	SHEET NO. 11
DATE: March '59				OF 11