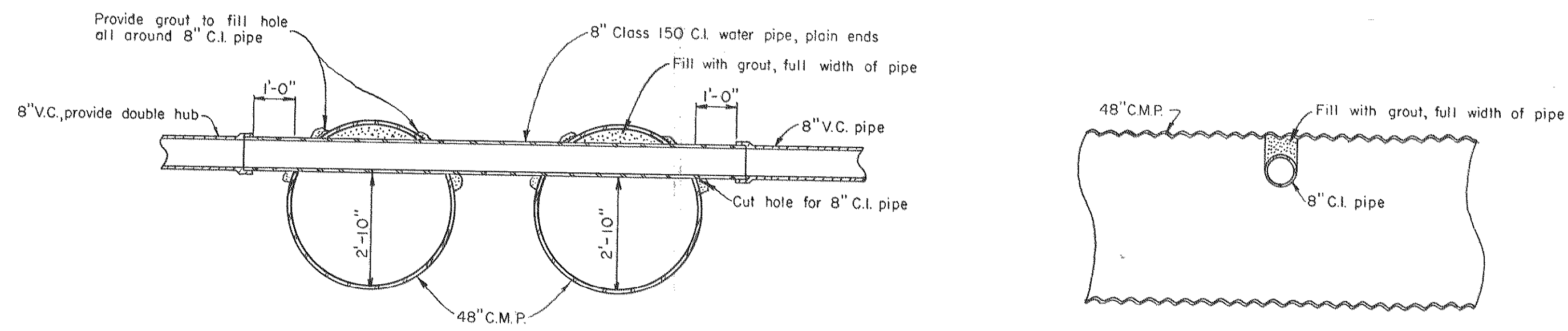


Scales:
 Horizontal: 1"=100'
 Vertical: 1"=8'



DETAIL OF SEWER AT CULVERT CROSSING

Scale: 3/8"=1'-0"

SECTIONAL VIEW



Supplemental Drawing

AS BUILT

REV.	DATE	DESCRIPTION	BY	APP.
Δ AB	11-13-59	Revised entire "B" line	L.R.K.	
FEATHER PORTALS ASSESSMENT DISTRICT OROVILLE, CALIFORNIA SANITARY SEWER SYSTEM PLAN & PROFILE "B" LINE				
DEWANTE AND STOWELL SANITARY AND CIVIL ENGINEERS - SACRAMENTO, CALIFORNIA				
DRAWN: L.R.K.	CHECKED: E.R.S.	DATE: May 1959	SUBMITTED: APPROVED:	SHEET NO. 1 OF 1

11-01-SS 129