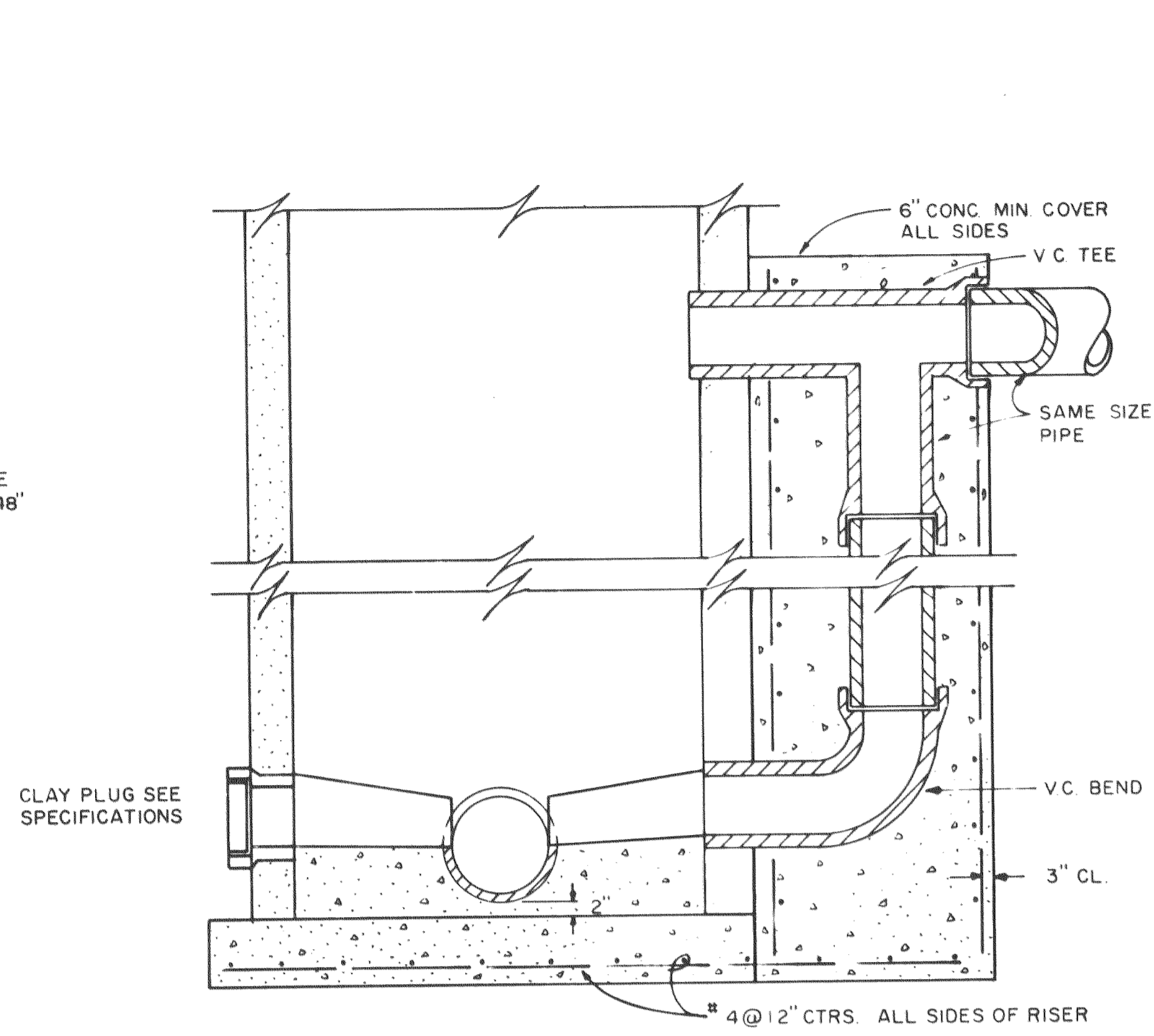
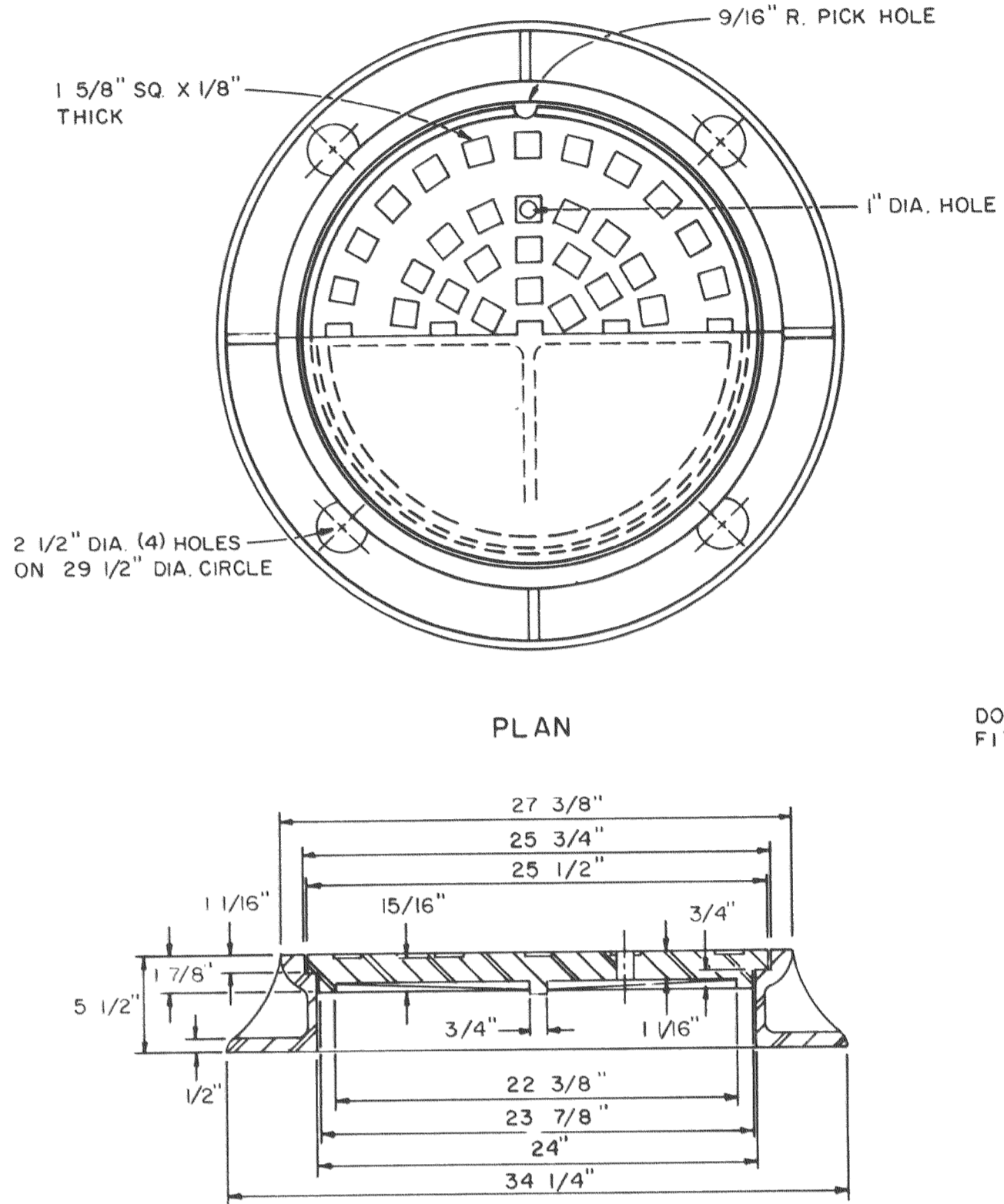


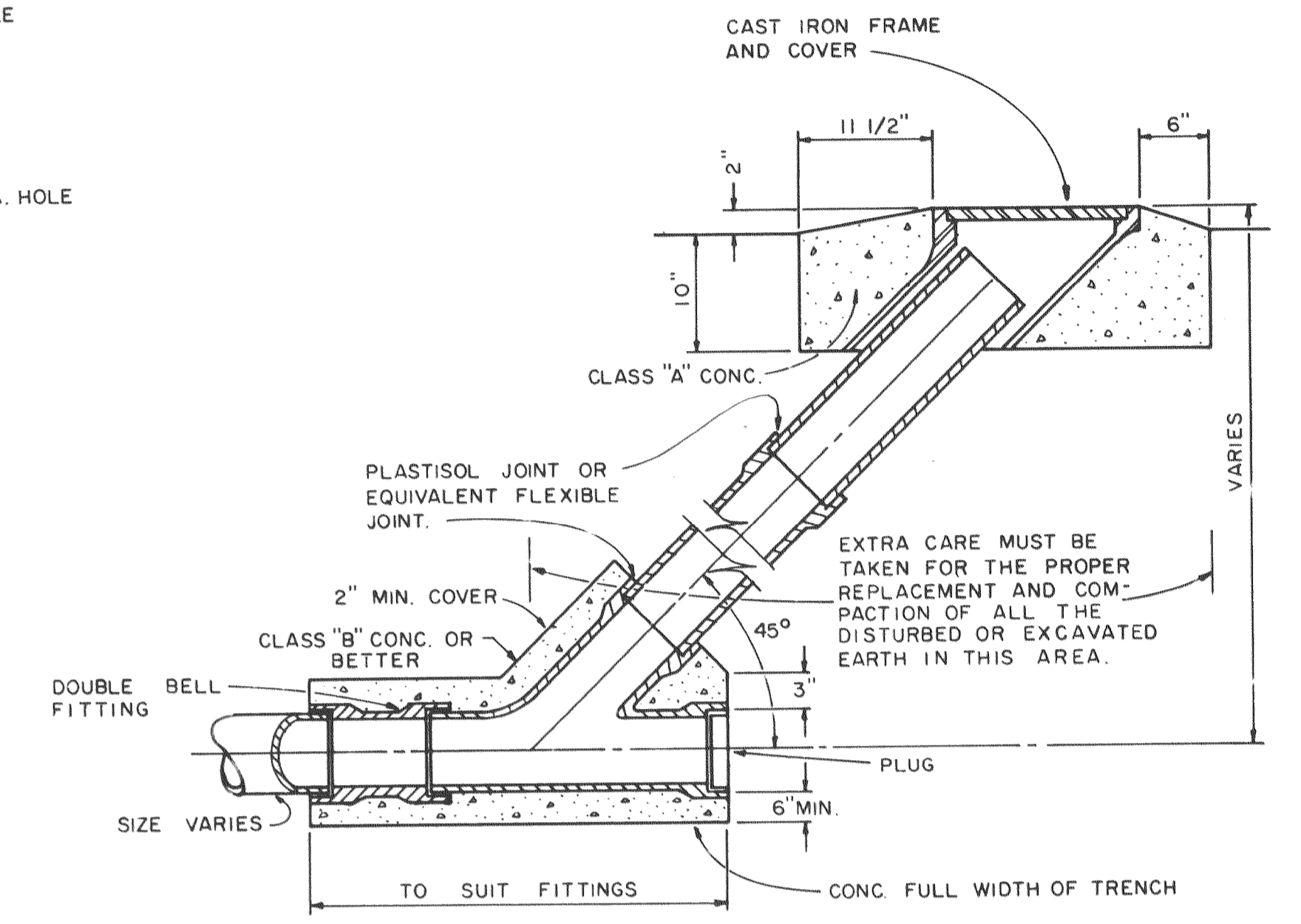
**STANDARD PRECAST MANHOLE**  
NO SCALE



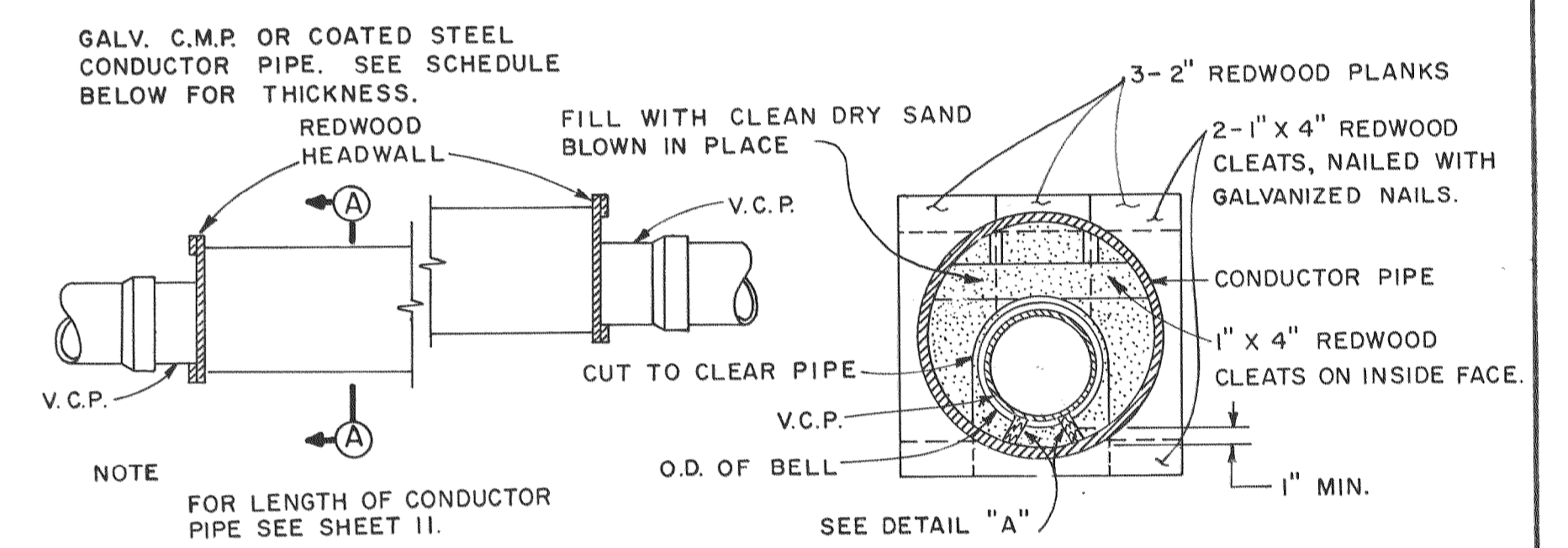
**TYPICAL STUB & PRECAST MANHOLE**  
NO SCALE



**MANHOLE FRAME & COVER**  
NO SCALE

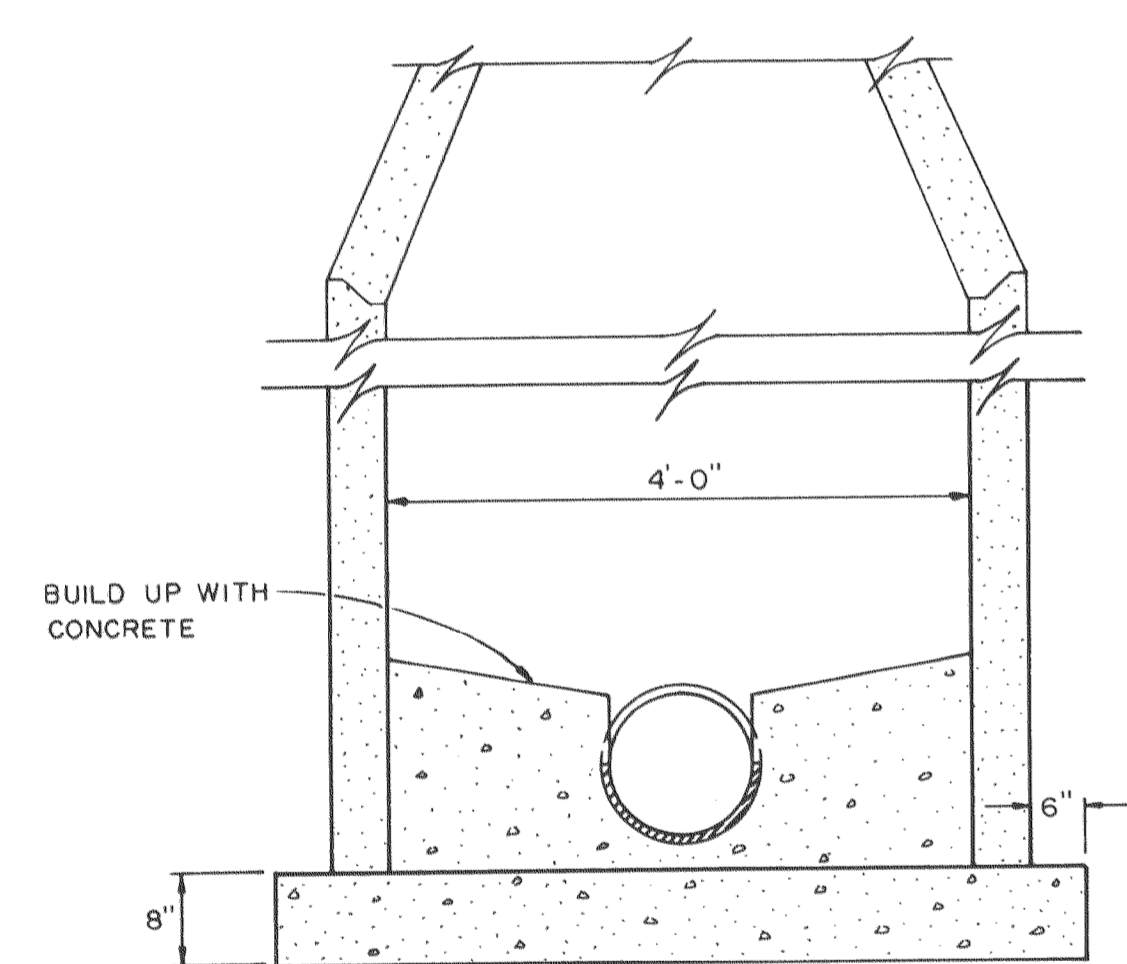


**FLUSHING BRANCH**  
NO SCALE

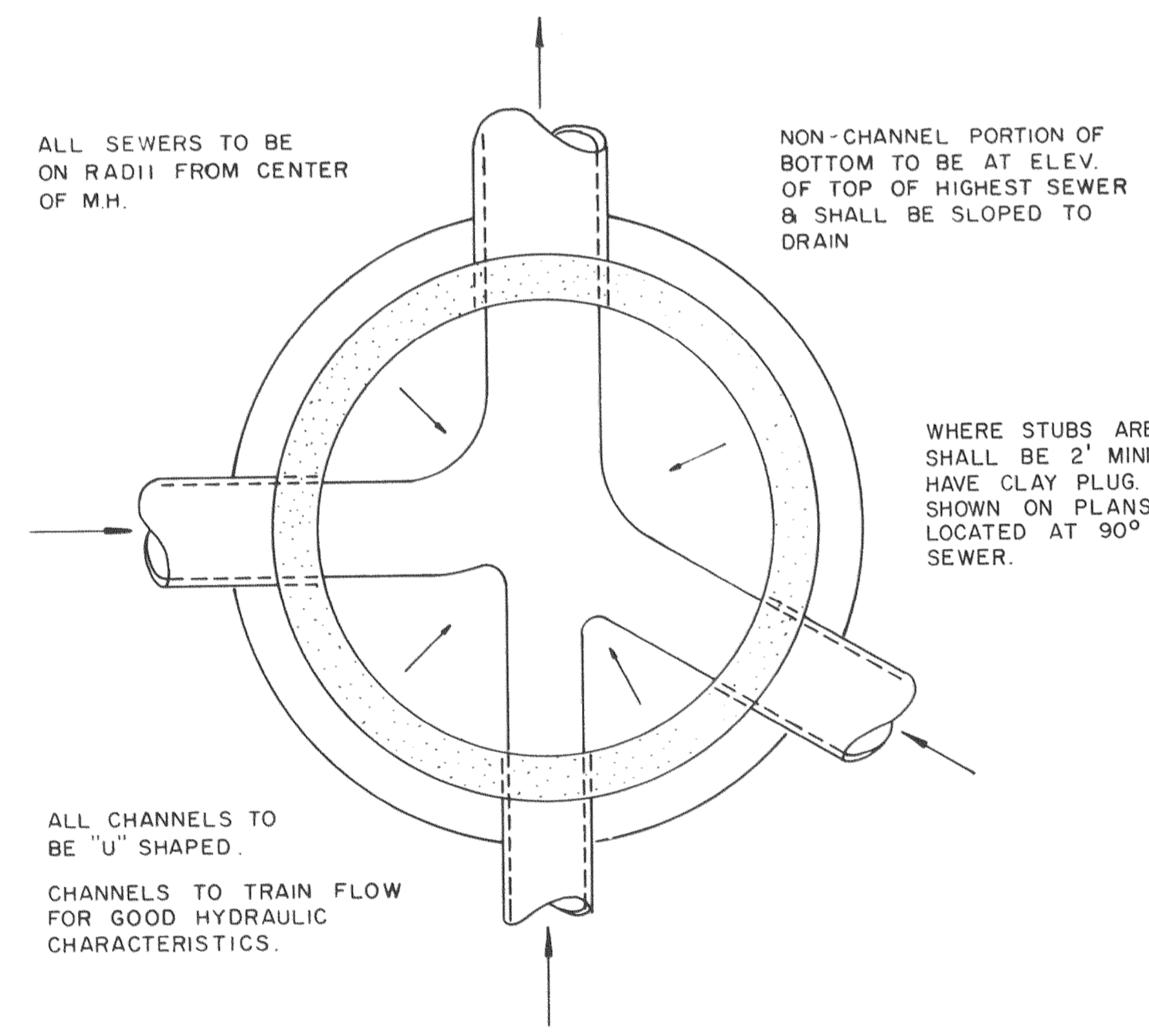


**CONDUCTOR PIPE**  
NO SCALE

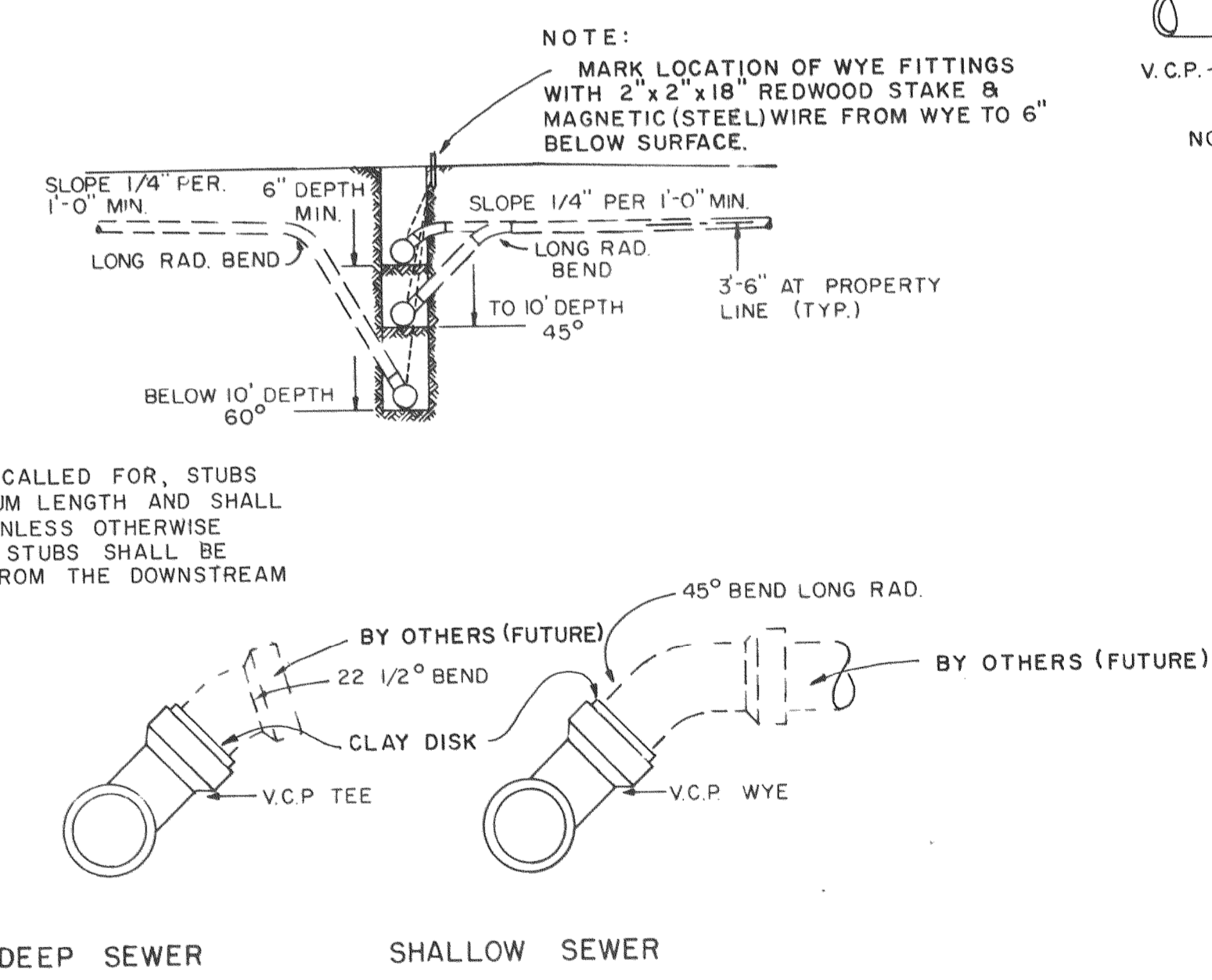
**SECTION A**  
NO SCALE



**TYPICAL MANHOLE BASE SECTION**  
NO SCALE



**COMPOSITE MANHOLE BOTTOM**  
NO SCALE



**LATERAL SETTING DETAIL**  
NO SCALE

CONDUCTOR PIPE THICKNESS SCHEDULE		
SIZE	GALV. C.M.P.	ASPHALT COATED STEEL
18"	10 Gauge	1/4"
21"	10 Gauge	1/4"
24"	10 Gauge	1/4"
27"	8 Gauge	5/16"
30"	8 Gauge	5/16"
36"	8 Gauge	5/16"

**DETAIL "A"**  
NO SCALE

TWO WOODEN SKIDS 1'-0" LONG, EACH LENGTH V.C.P. SKIDS TO BE OF SIZE SUCH THAT BELL CLEARS CONDUCTOR. SKID HEIGHT NOT TO BE MORE THAN 50% MORE THAN WIDTH. SKID TO BE SECURED TO PIPE BY STRAP, EACH END. GROOVE SKIDS FOR STRAP CLEARANCE.

**DEWANTE AND STOWELL**  
SANITARY AND CIVIL ENGINEERS - SACRAMENTO, CALIFORNIA

REVISION	DATE	DESCRIPTION	BY	APPD

SUBMITTED  
*Edwin R. Stowell*  
APPROVED  
*Harold Cooper*

CITY OF OROVILLE  
OROVILLE, CALIFORNIA  
FOOTHILL BOULEVARD - GLEN DRIVE SEWER MAIN EXTENSION  
MISCELLANEOUS DETAILS

DATE		SHEET NO
July 26, 1962		14
CHKD	DRWN	
E.R.S.	RE.J.	OF 14