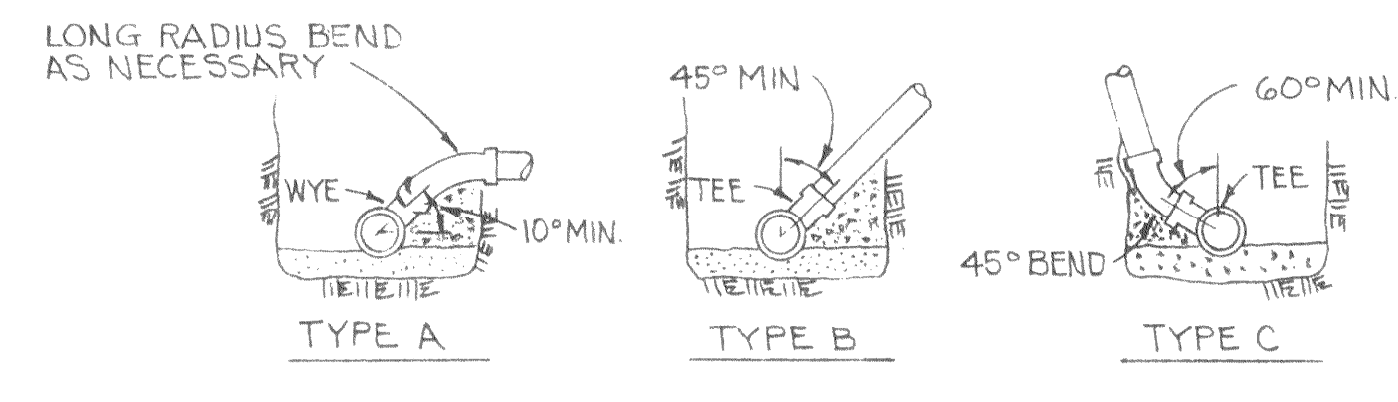
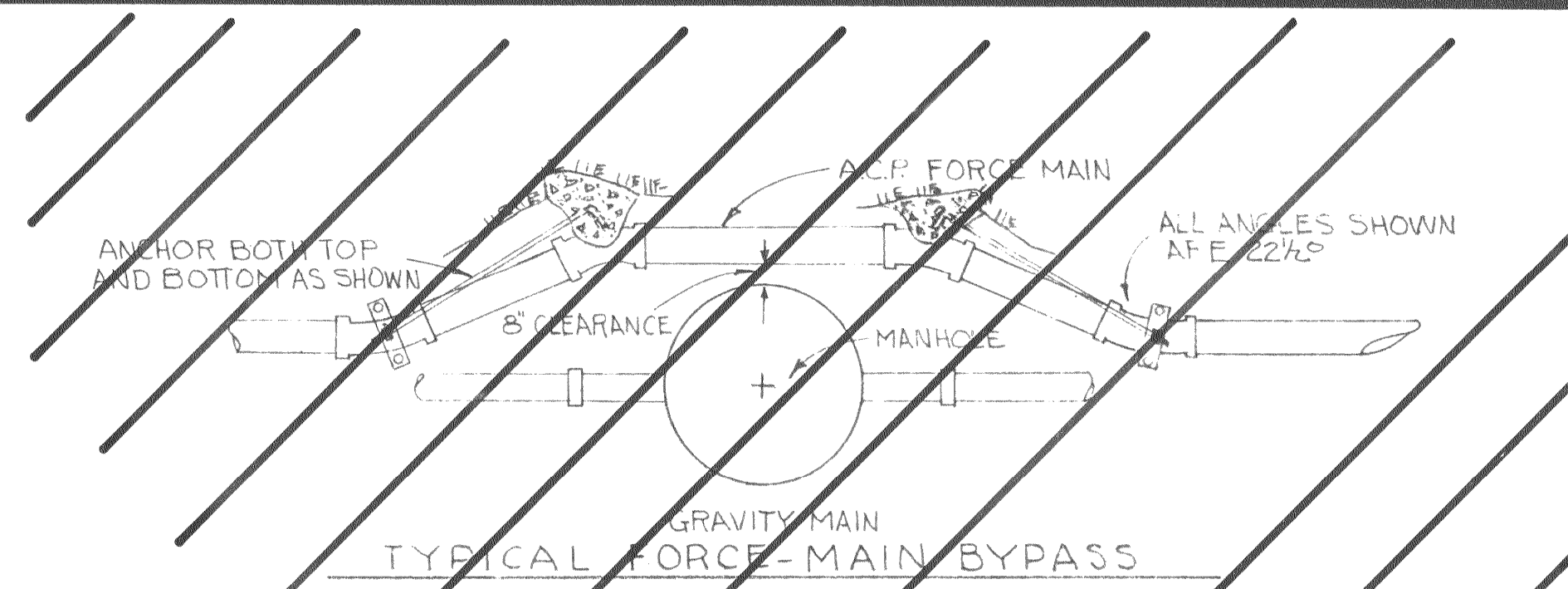
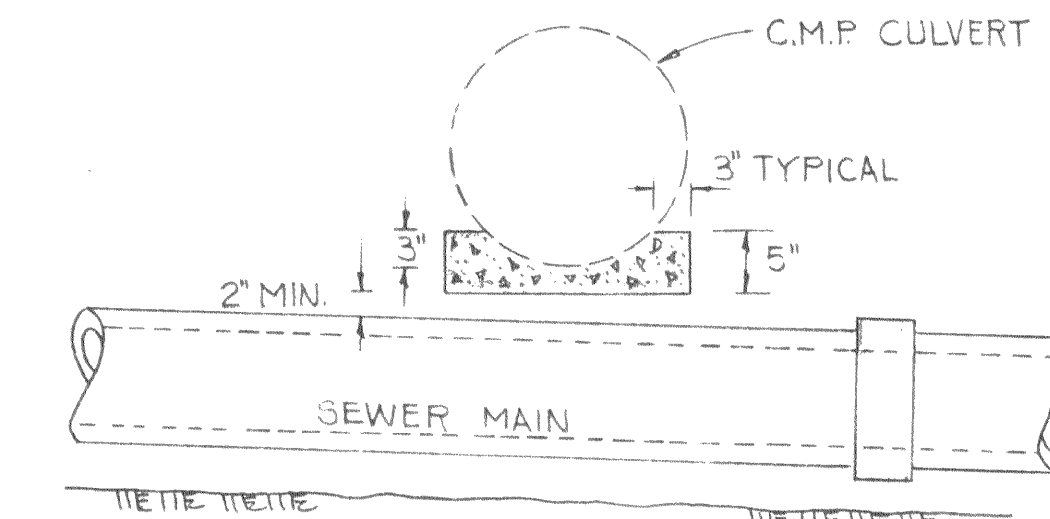
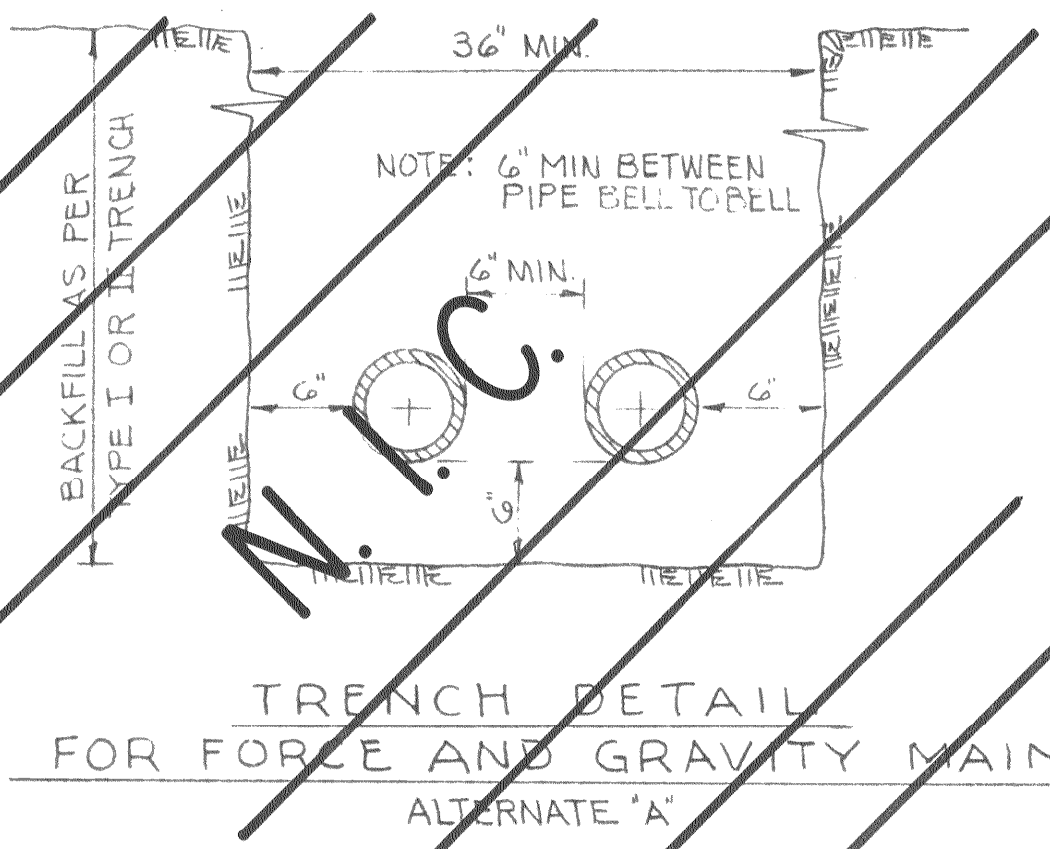
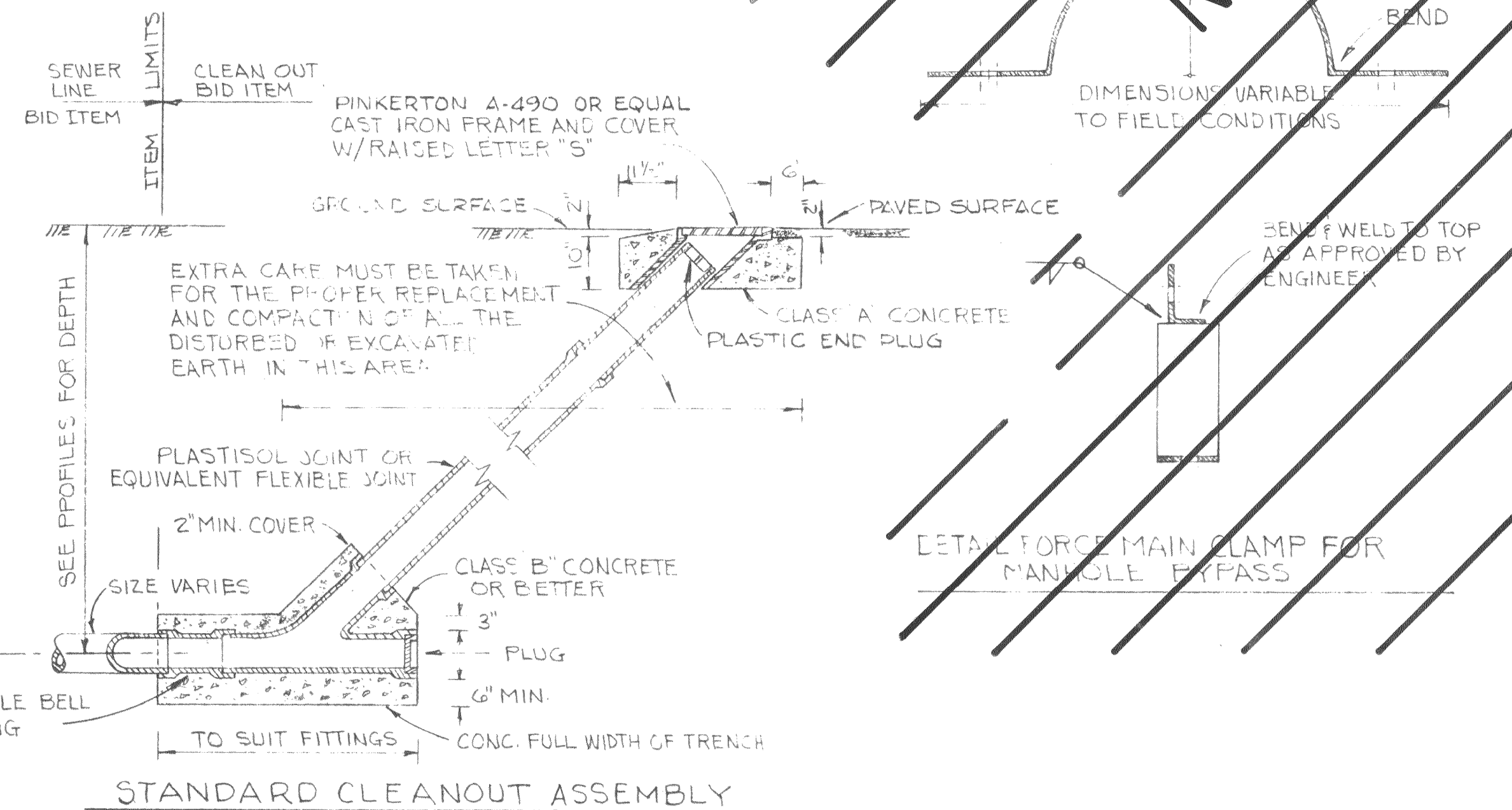
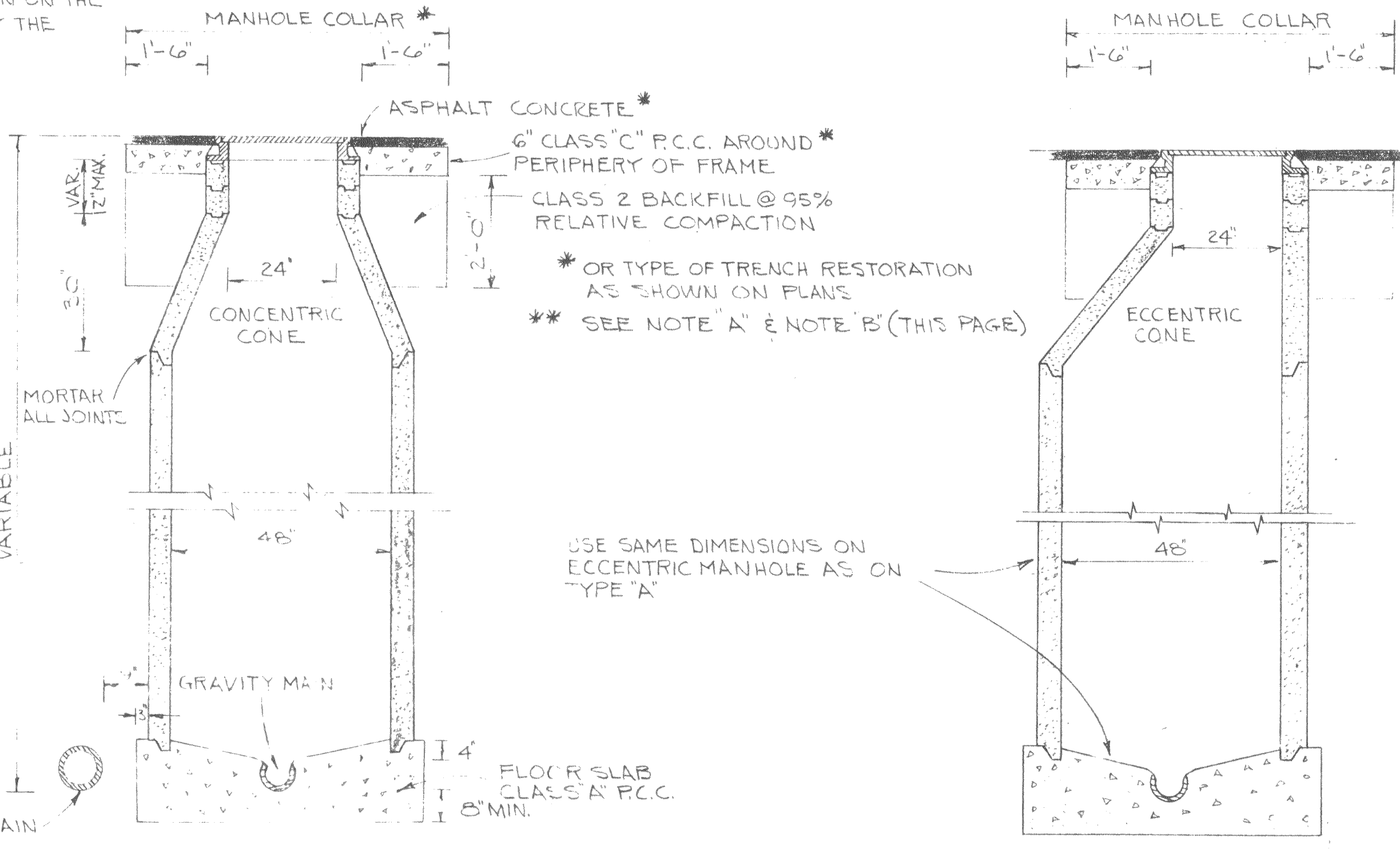
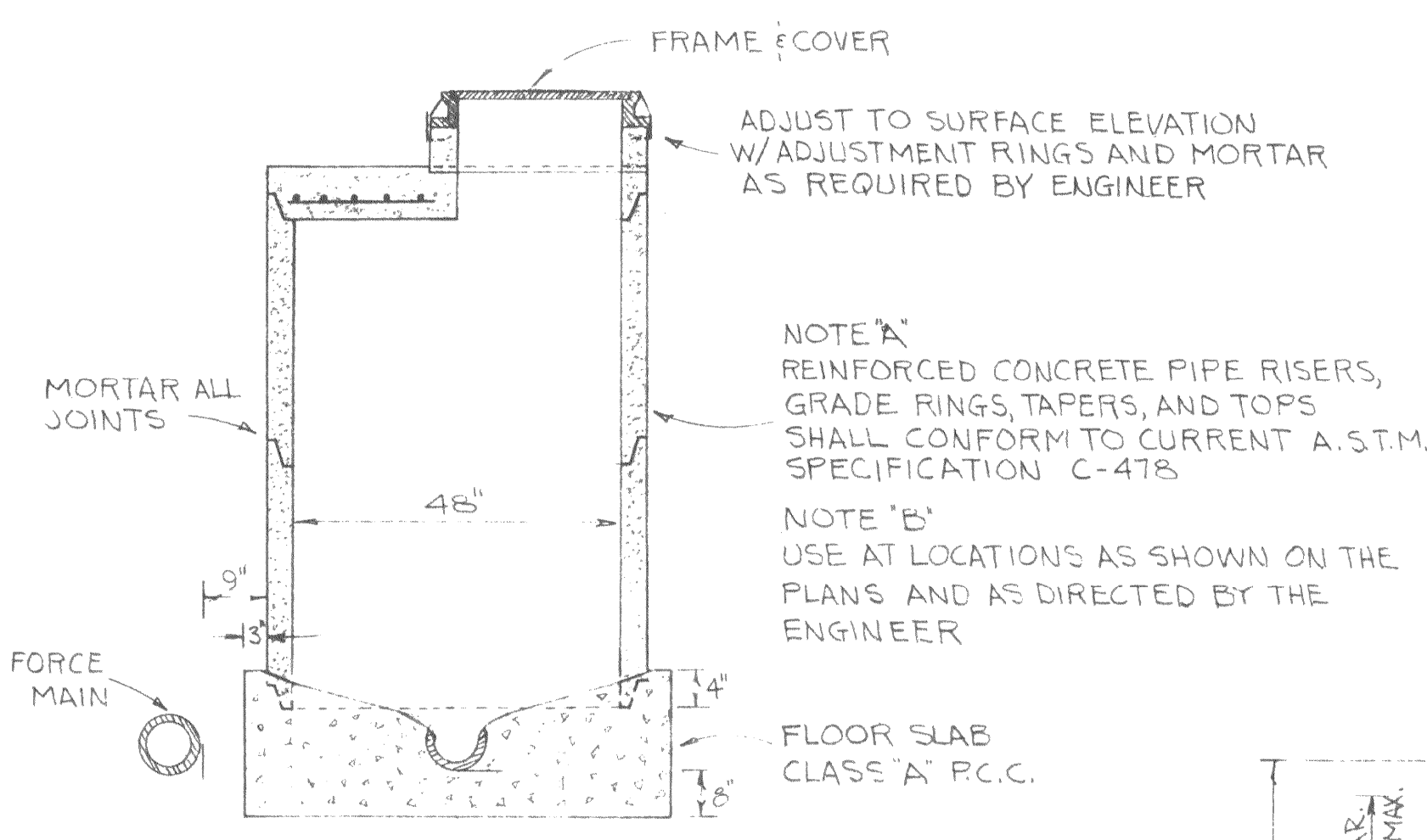
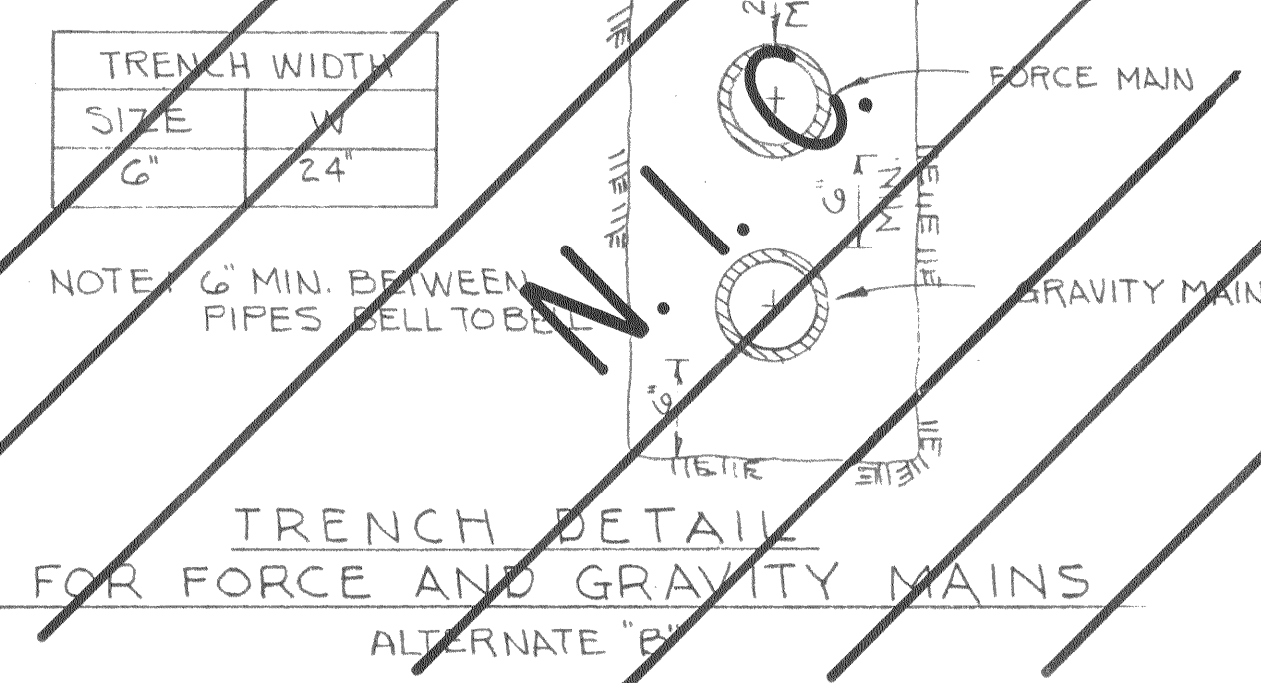
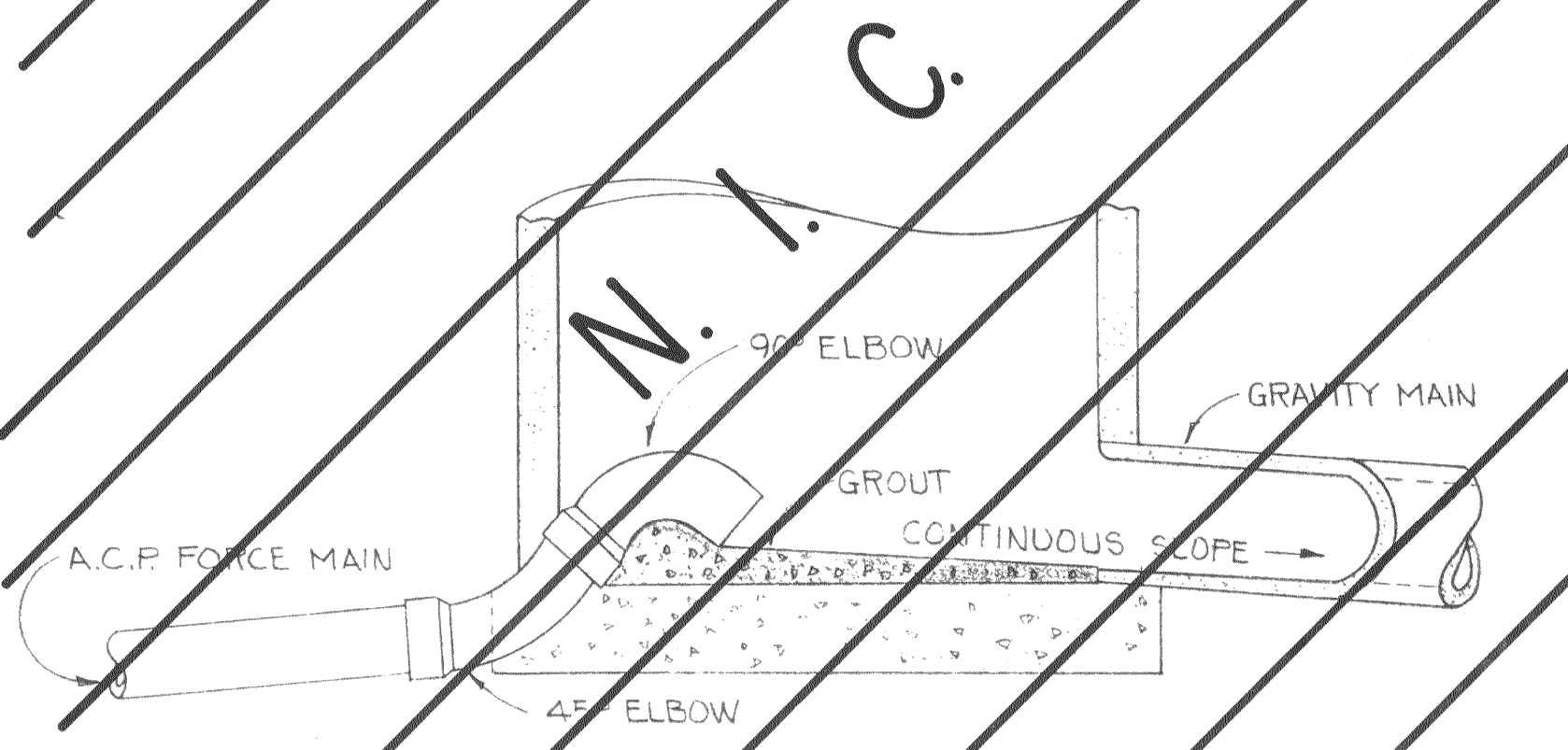
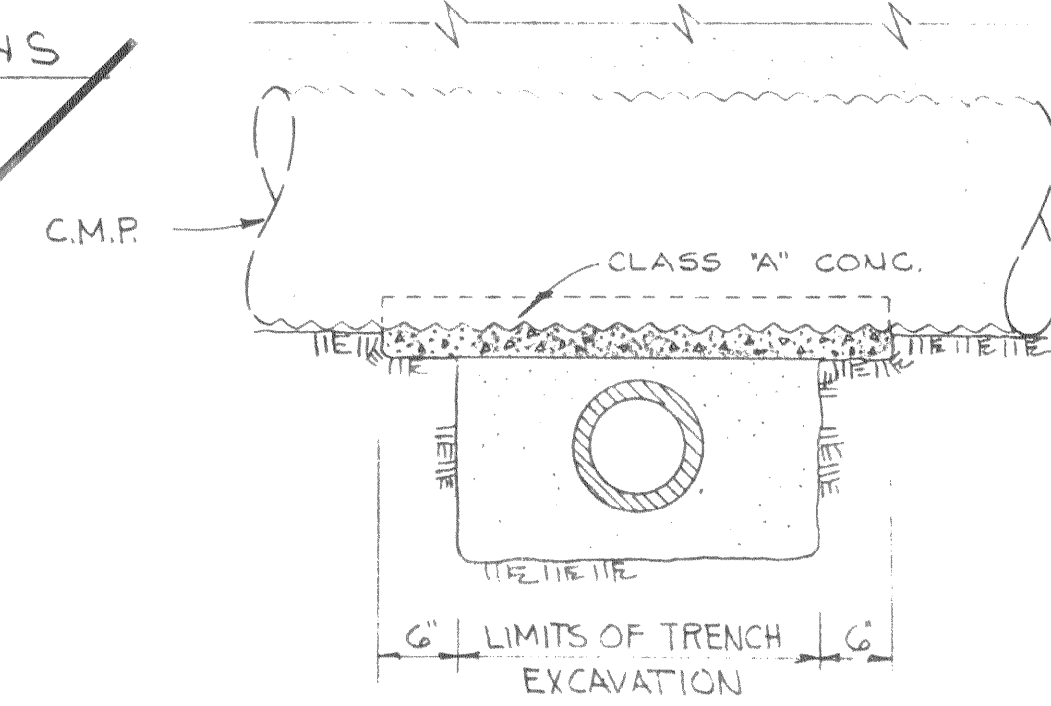
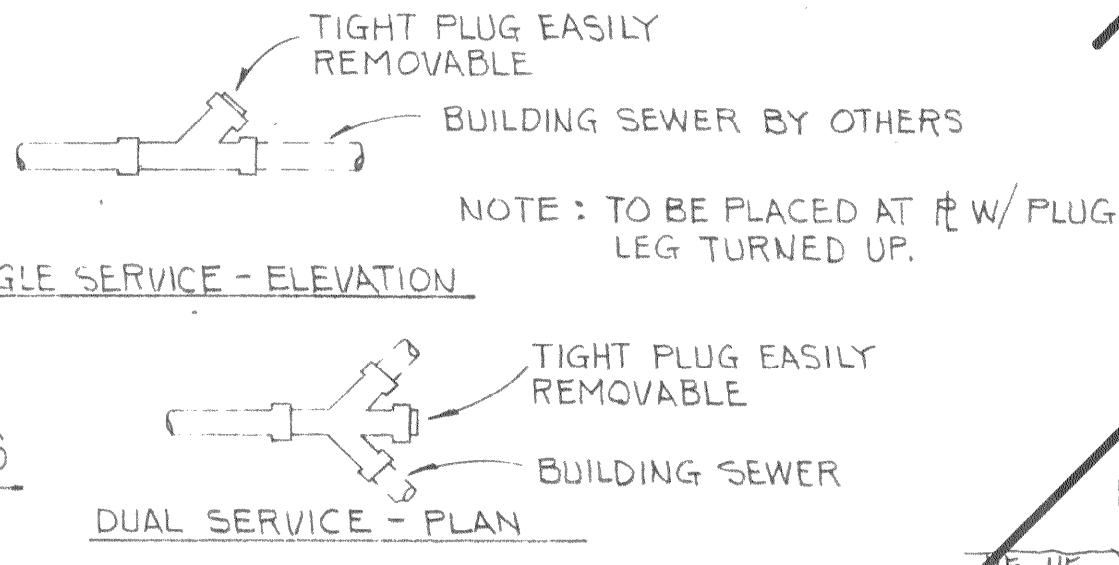


DOUBLE TRENCH WIDTH		
GRAVITY	FORCE	W
6"	6"	36"
8"	8"	38"
8"	8"	40"



INDIVIDUAL SERVICE DETAILS



72032

COOK ASSOCIATES ENGINEERING CONSULTANTS OROVILLE CALIFORNIA

SEWER LINE EXTENSION WITHIN THE CITY OF OROVILLE BUTTE COUNTY, CALIFORNIA

TYPICAL CONSTRUCTION DETAILS

REGISTERED PROFESSIONAL ENGINEER Daniel James Cook No. 13062 Civil Engineer STATE OF CALIFORNIA

MARCH 1973 SHEET NO. 4 OF 5 SHEETS

44262