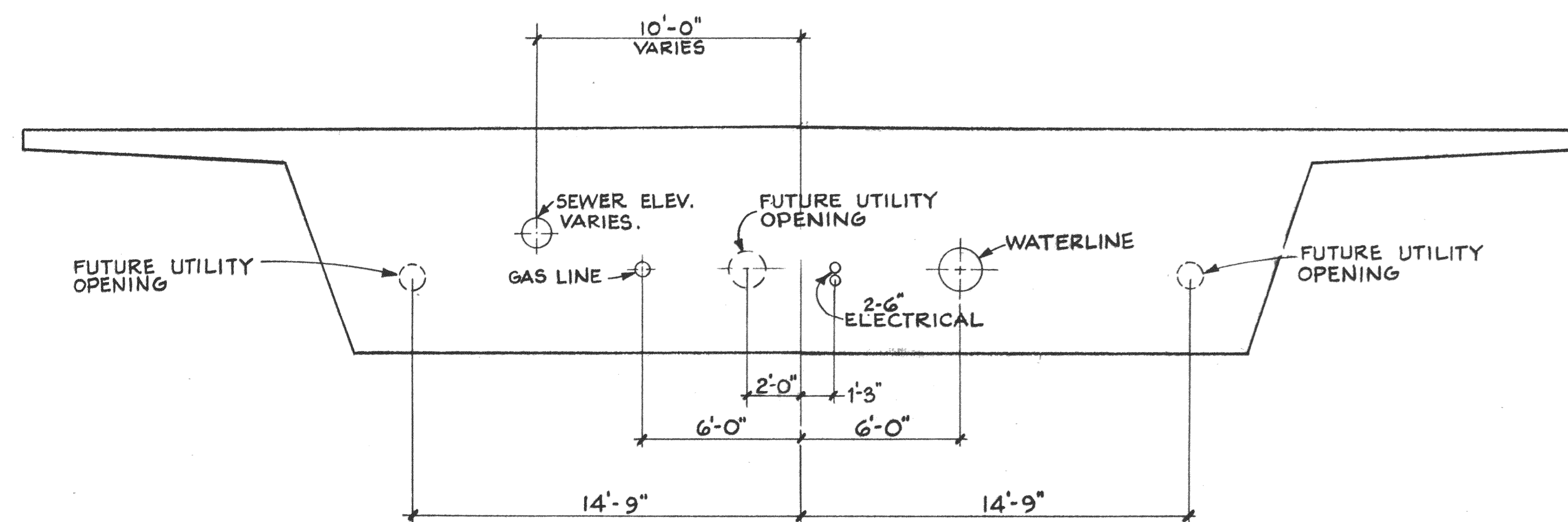


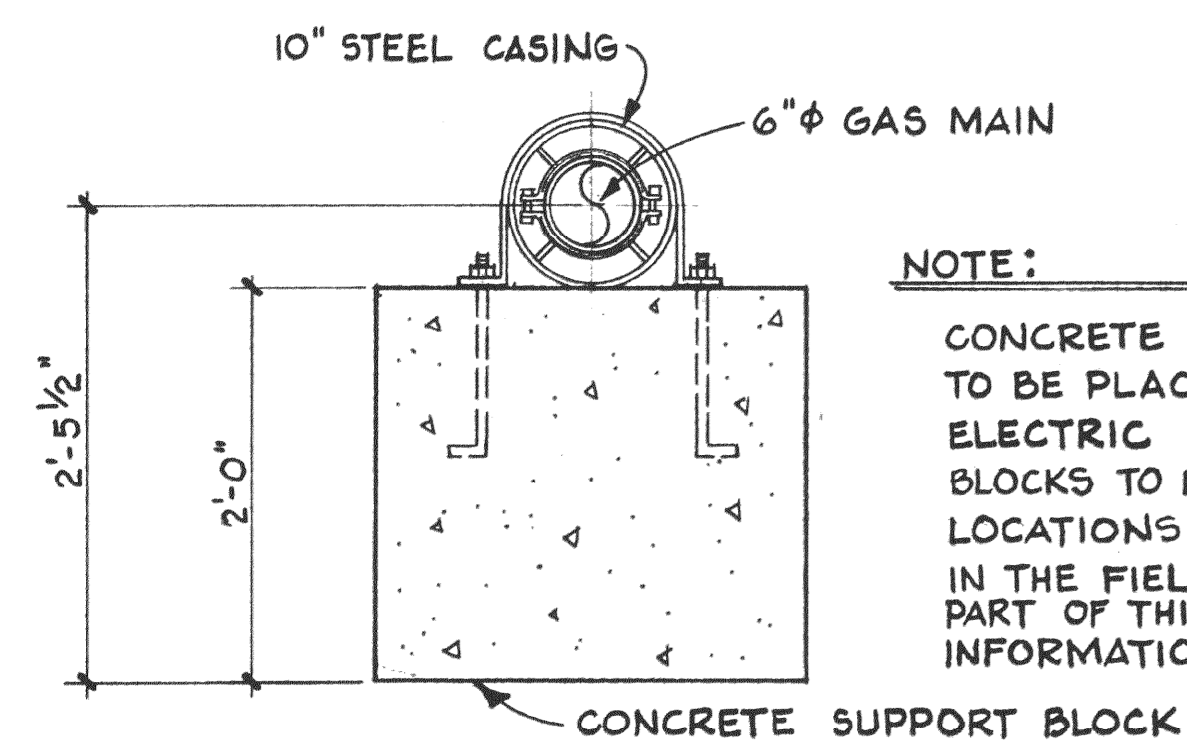
**TYPICAL SECTIONS**

SCALE: 1/4" = 1'-0"



**ABUT. DIAGRAM  
UTILITY OPENING DETAILS**

SCALE: 1/4" = 1'-0"

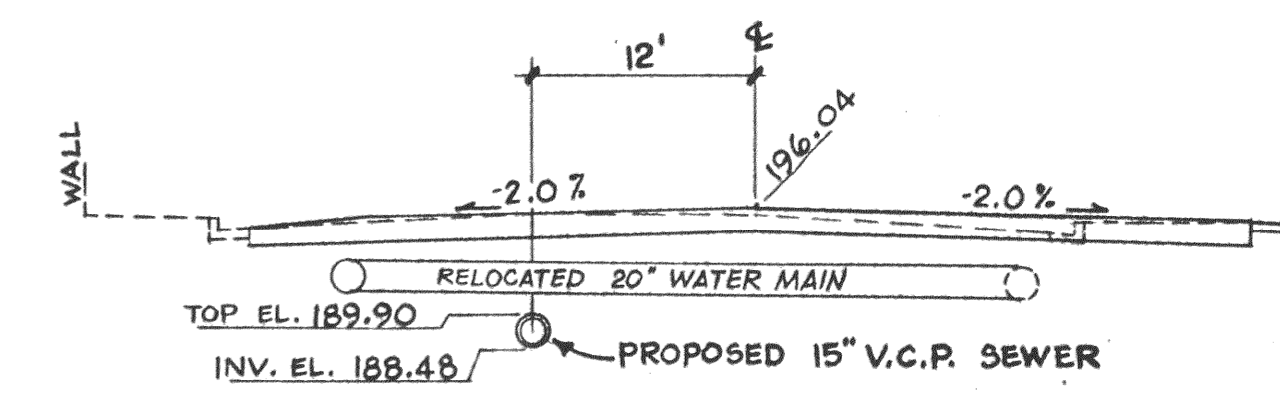


**NOTE:**

CONCRETE SUPPORT BLOCKS TO BE PLACED BY PACIFIC GAS & ELECTRIC CO. APPROX. 24 BLOCKS TO BE PLACED. FINAL LOCATIONS TO BE DETERMINED IN THE FIELD. (THIS WORK NOT A PART OF THIS CONTRACT: INFORMATION ONLY.)

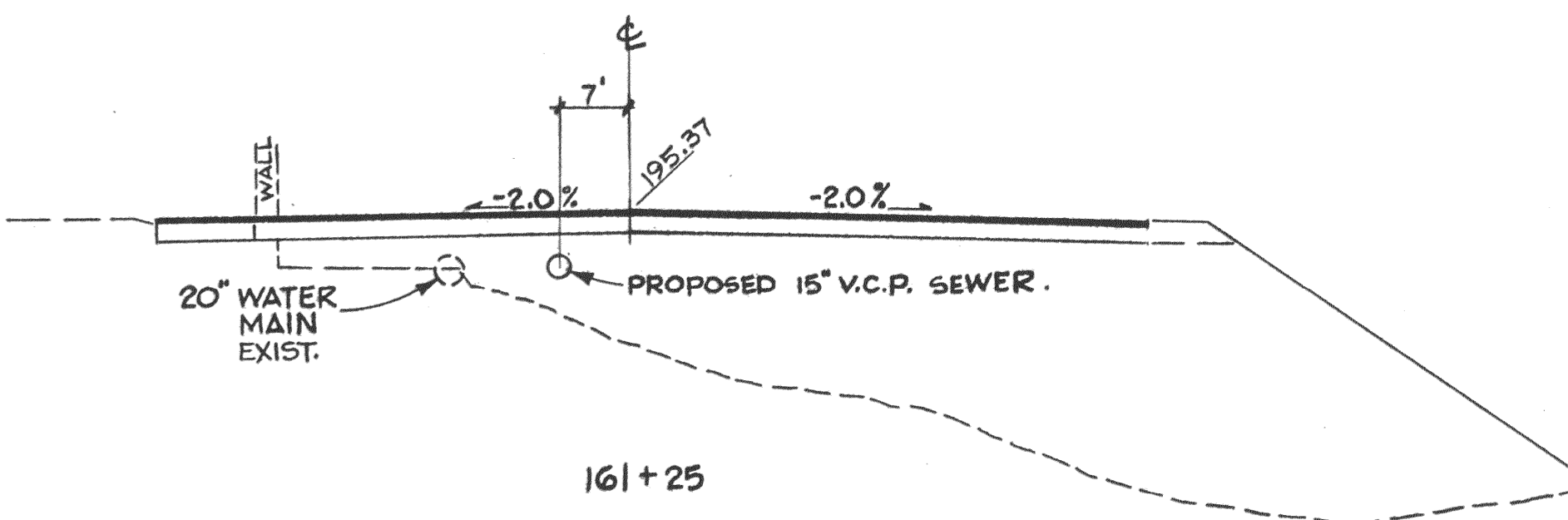
**PROPOSED GAS MAIN SUPPORT**

N.T.S.



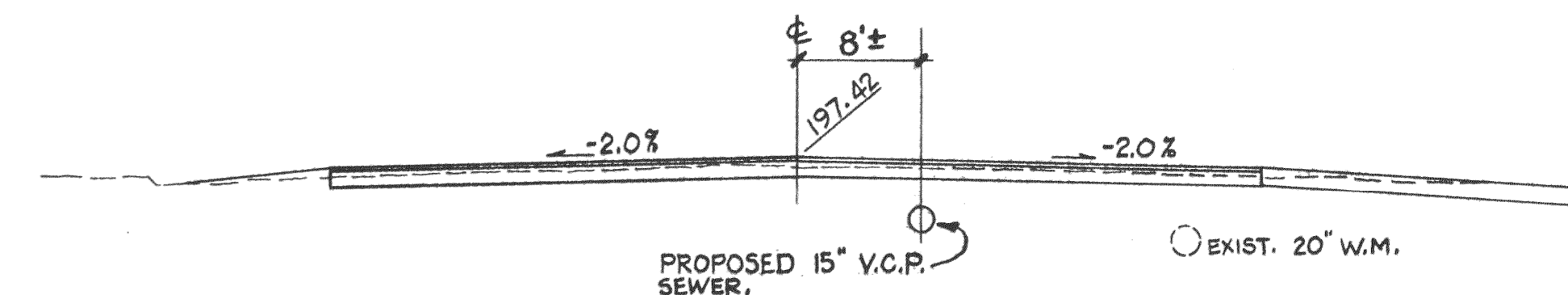
**CROSS SECTION**

N.T.S.



**CROSS SECTION**

N.T.S.



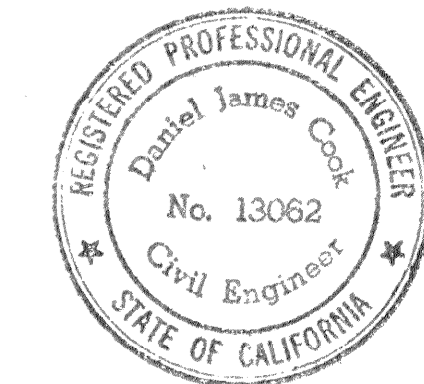
**CROSS SECTION**

N.T.S.

**COOK ASSOCIATES**  
ENGINEERING CONSULTANTS  
2080 PARK AVENUE, OROVILLE, CALIFORNIA 95965

TABLE MOUNTAIN  
BOULEVARD BRIDGE

TYPICAL SECTIONS  
MISCELLANEOUS DETAILS



REVISION	DATE
D. KIMBRELL	6-80
DRAWN	DATE
APPROVED	DATE
FILE NO.	
SHEET NO.	
6	7
OF 6 SHEETS	06440