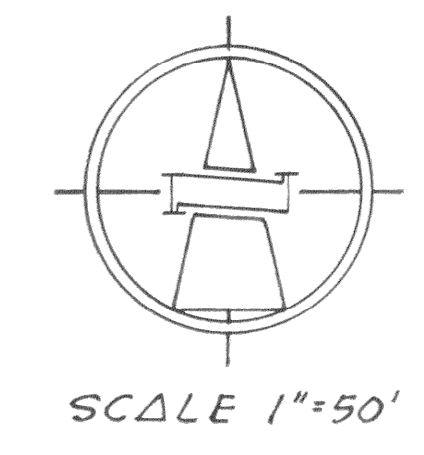
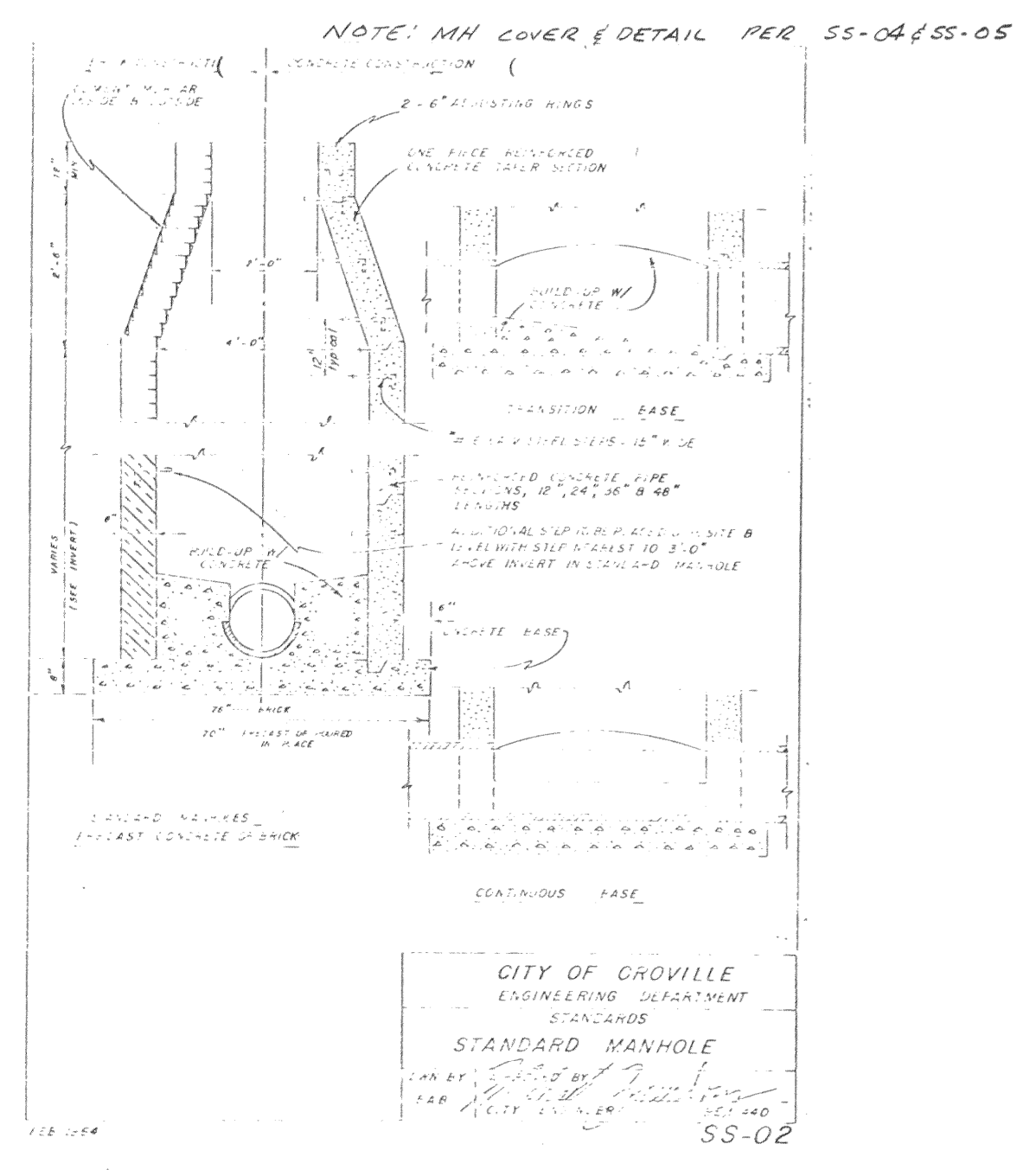


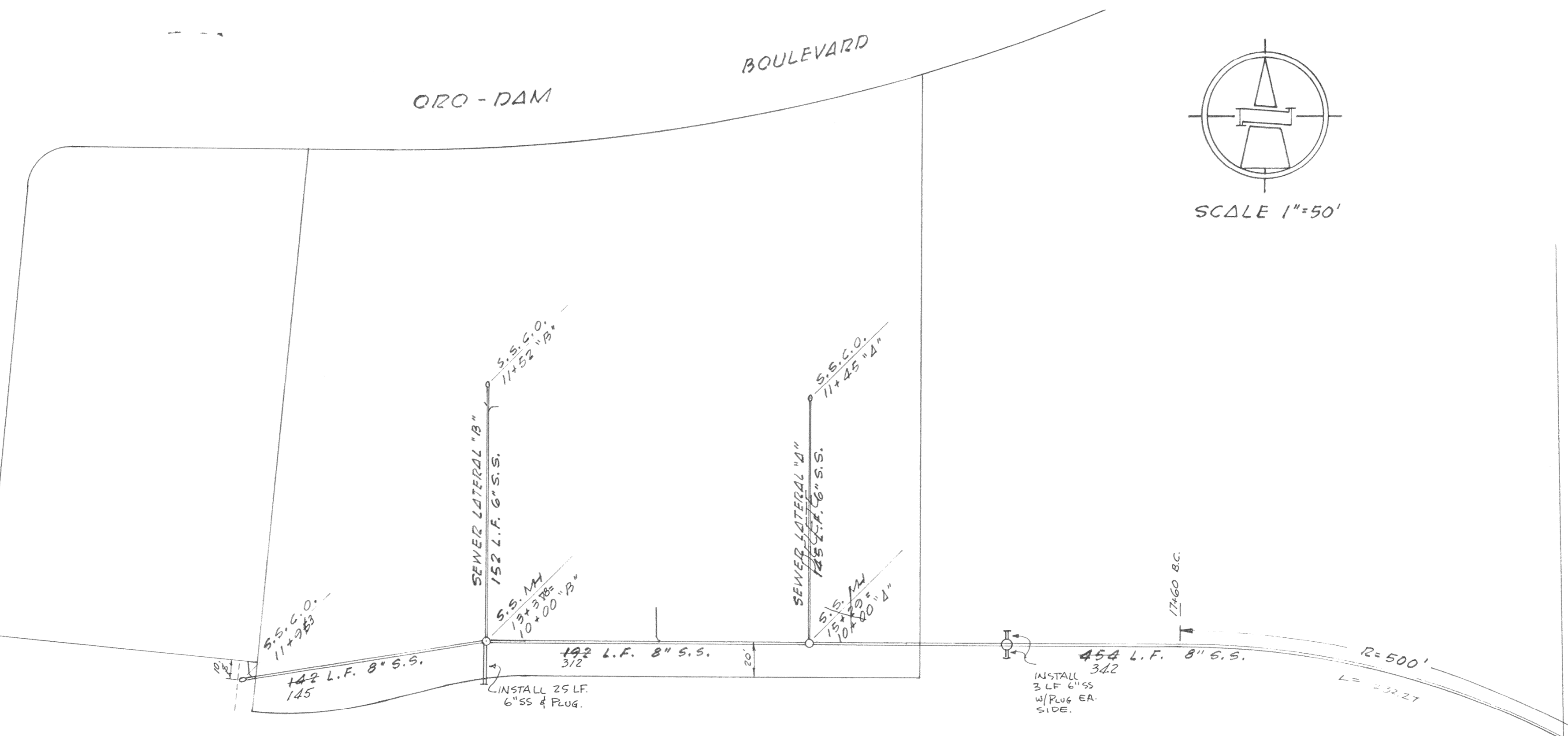
ORO-DAM BOULEVARD



William S. Harelson  
 WILLIAM S. HARELSON  
 DIRECTOR OF PUBLIC WORKS  
 CITY OF OROVILLE

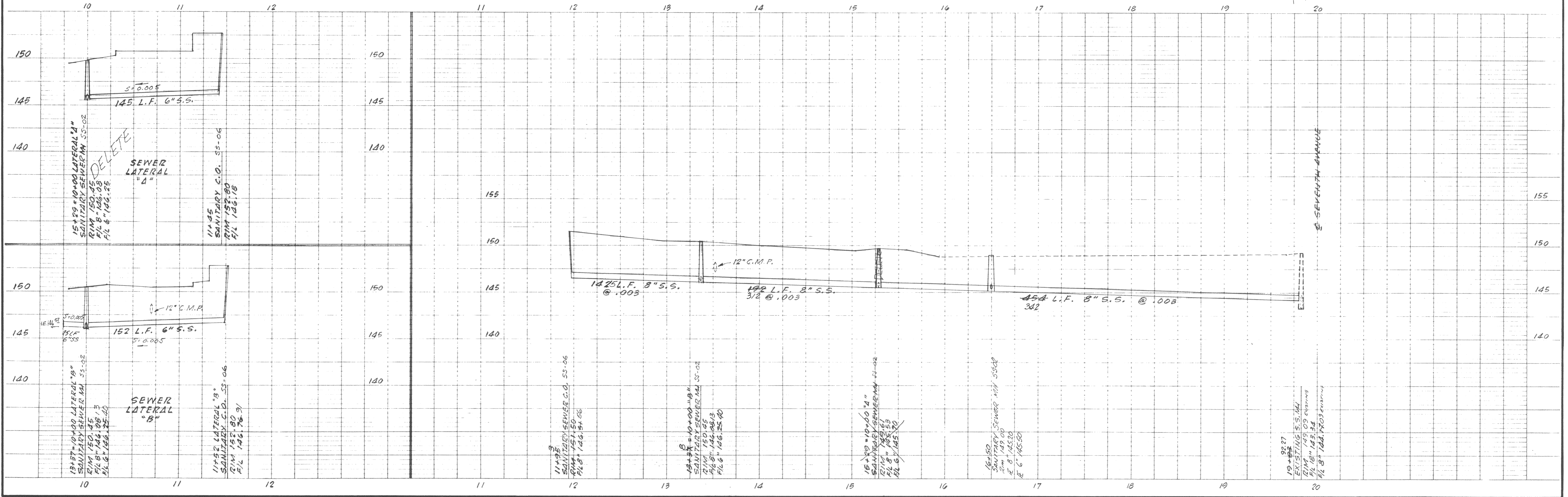


FEATHER RIVER BOULEVARD



SEVENTH AVENUE

EXISTING S.S. MH  
 19" DIA. 145.00  
 30" OR NEAR INTERCEPTOR MH  
 STATION 20+55



3/20/78 1 DELETE LAT "A"		FIELD BOOK	DRAWN Lane	GEDDIS BRISCOLL AND ASSOCIATES	ENGINEERING SURVEYING PLANNING 1636 HUNTOON STREET OROVILLE, CALIF. 95965 (916) 531-2068	SEWER PLAN <b>FEATHER RIVER VILLAGE</b> ORO-DAM BOULEVARD OROVILLE, CALIFORNIA	SHEET <b>2</b> OF <b>2</b> SHEETS JOB N° 77-263
DATE	REVISION	BY	APP'D				

ELEVATION DATUM  
 U.S.G.S. BM IN ISLAND AT  
 INTERSECTION OF ORO-DAM  
 AND FEATHER RIVER BLVD'S  
 ELEV 157.78 CITY OF  
 OROVILLE DATUM.

SCALE 1" = 50'

SS286