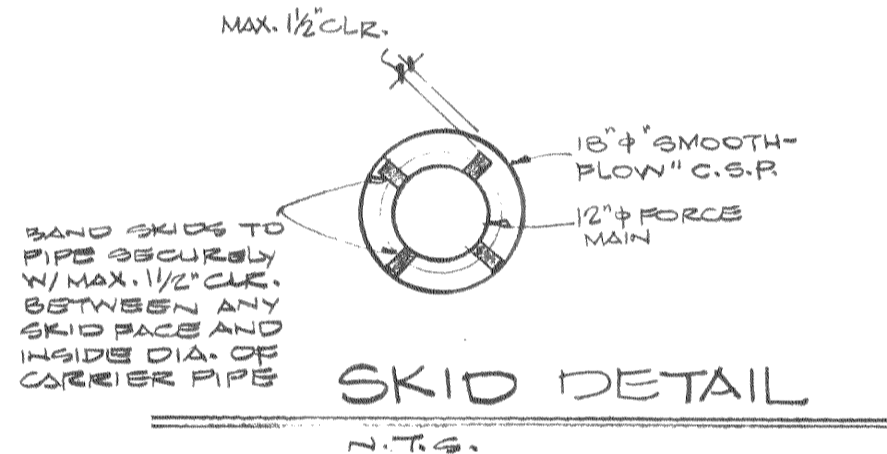
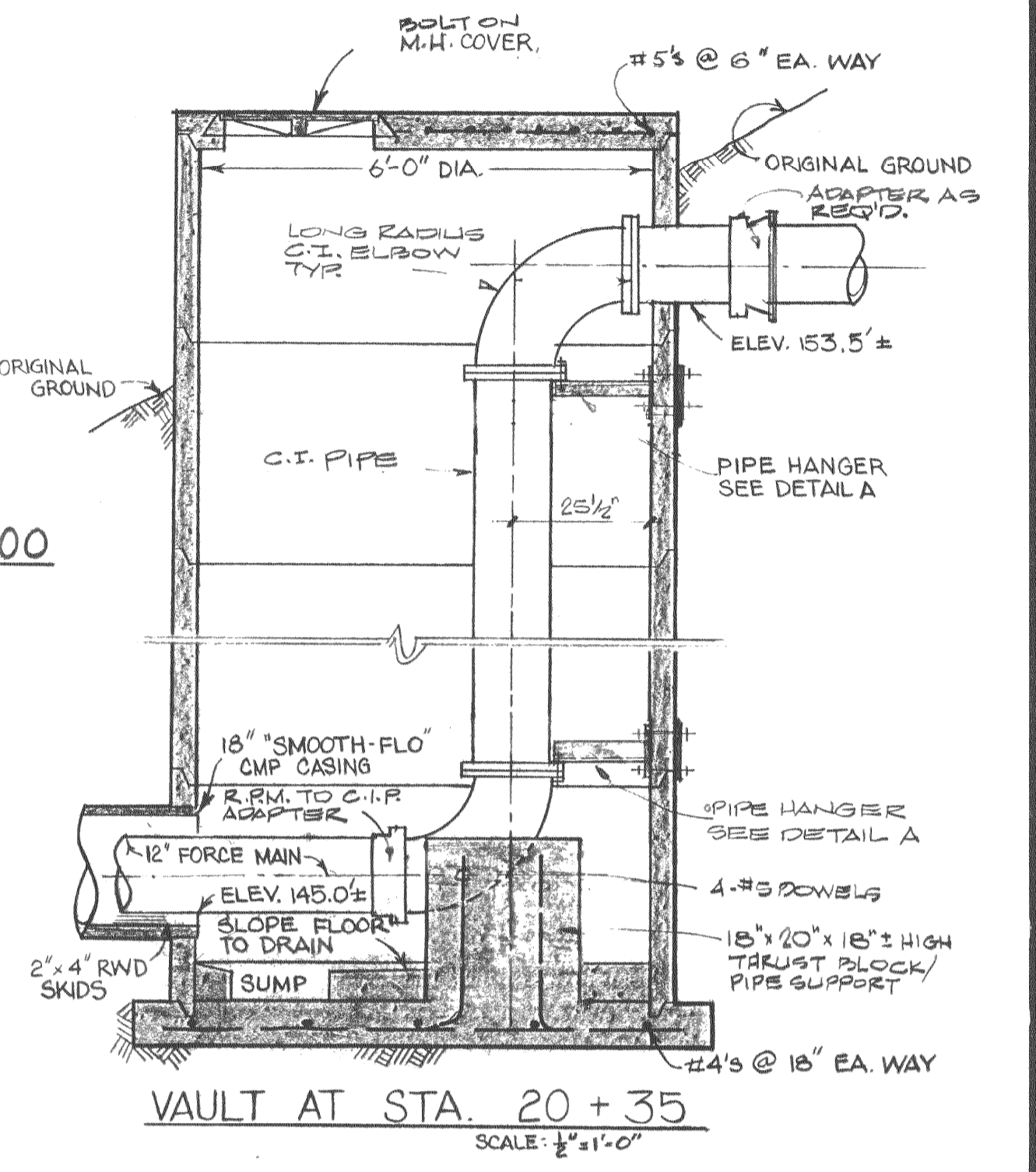
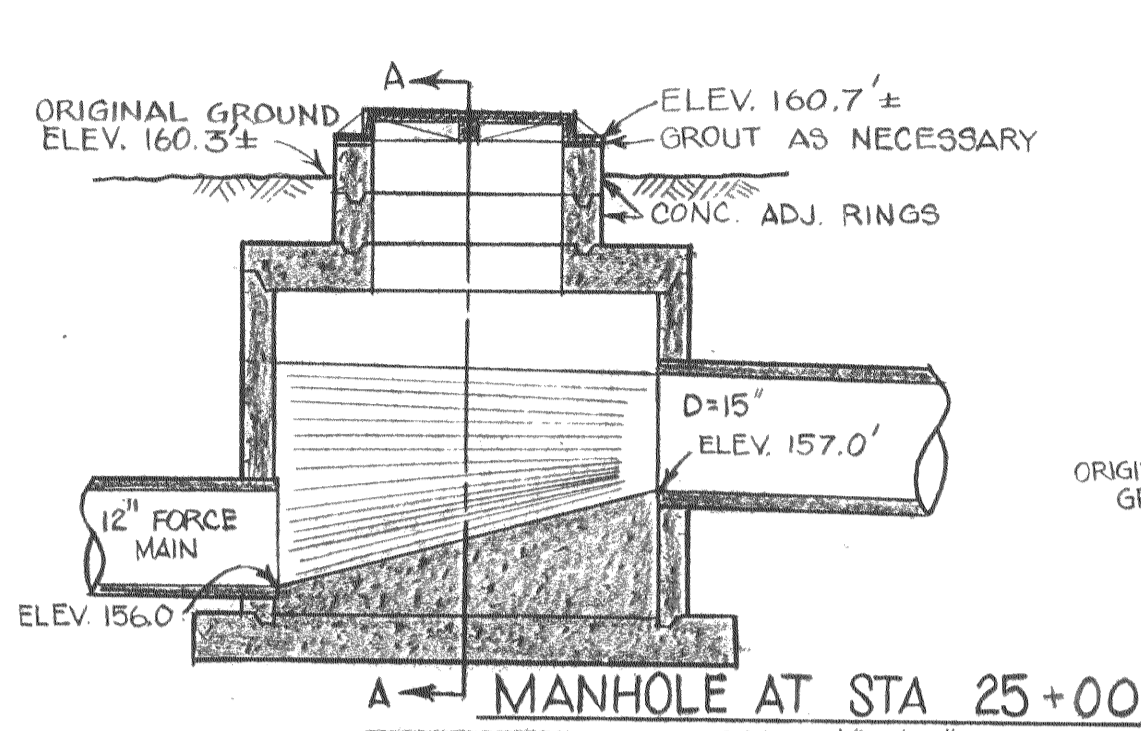
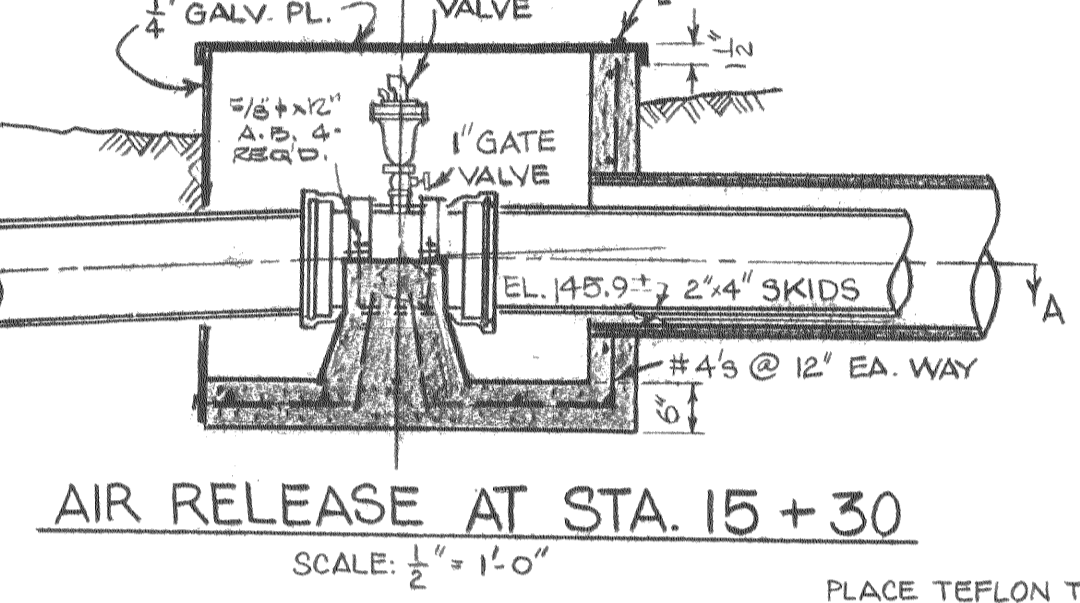
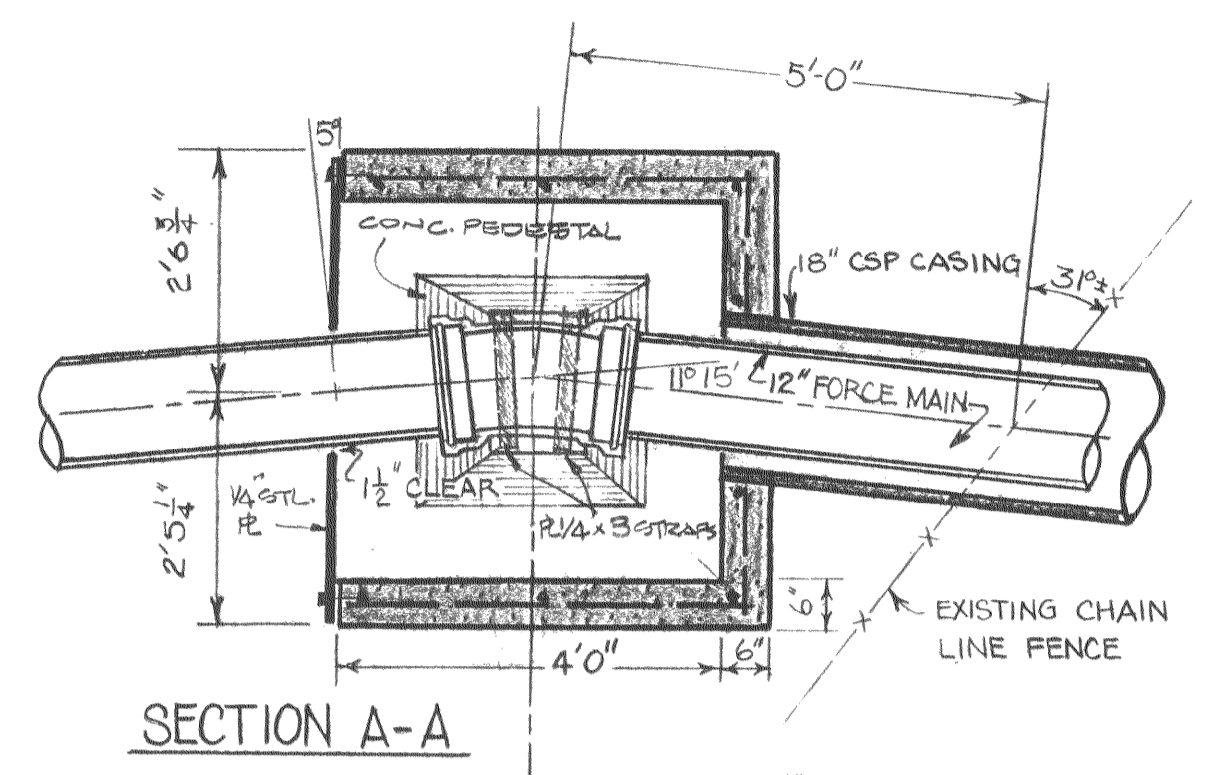
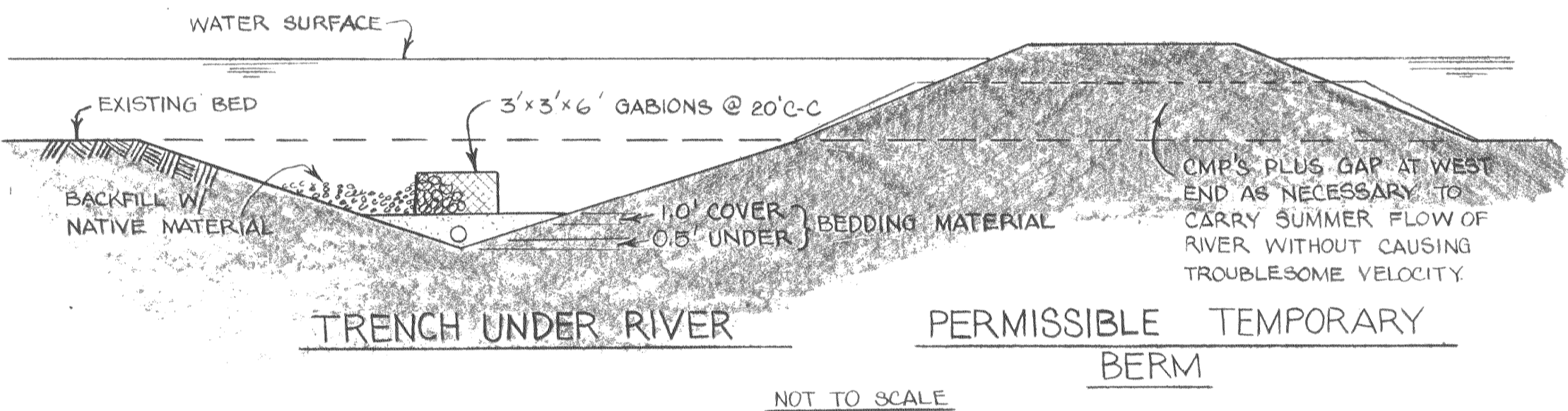


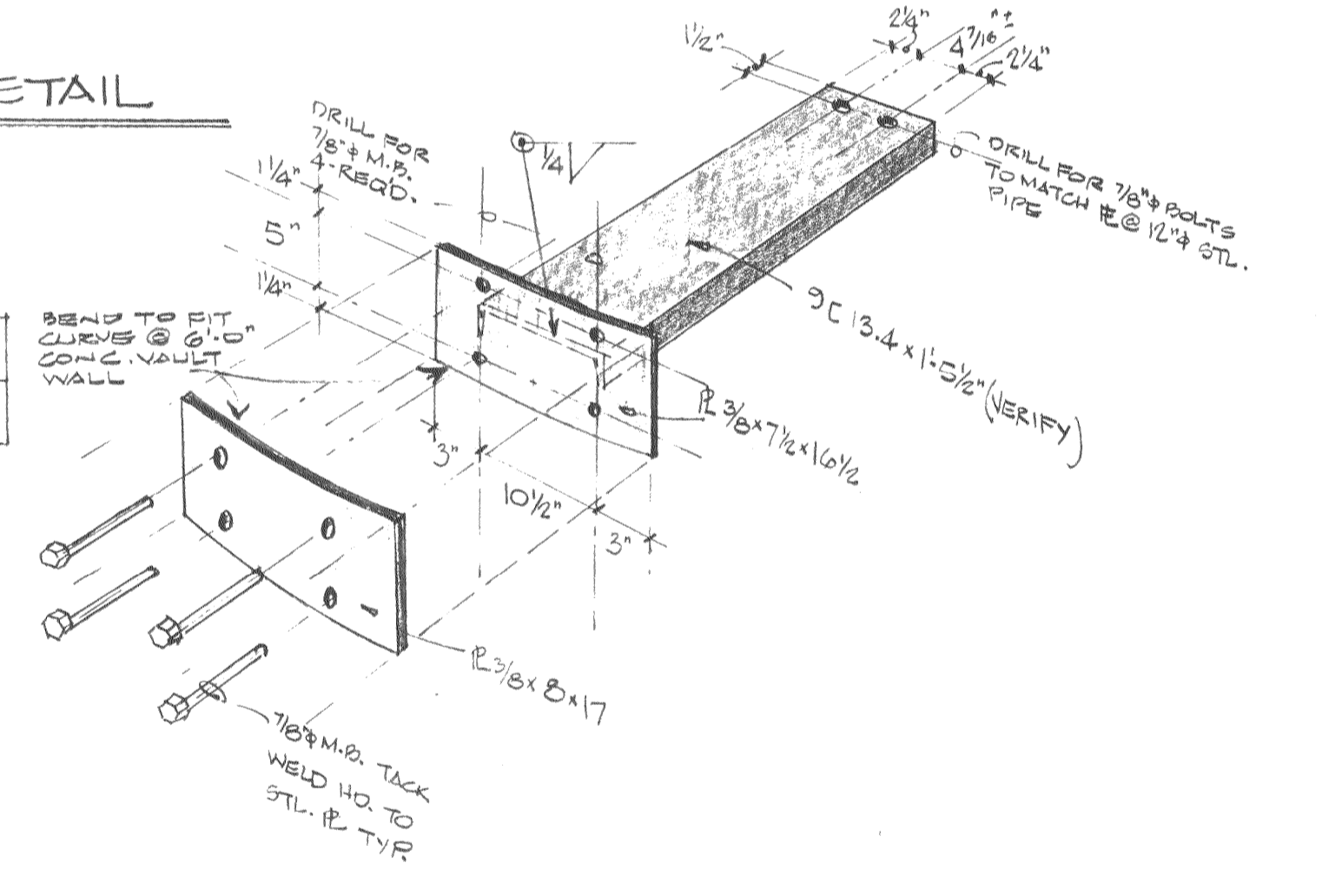
SCALE: 1" = 50'
 USE OF BERM IS NOT A REQUIREMENT OF THE CONTRACT. IT IS SHOWN SIMPLY AS ONE CONSTRUCTION TECHNIQUE THAT HAS BEEN REVIEWED AND APPROVED BY CONTROLLING AGENCIES. SEE SPECIFICATIONS.



THRUST BLOCK CHART

SIZE	TES	90°	45°	22 1/2°	11 1/4°
12"φ	11'	15'	8'	4'	2'

MINIMUM BEARING AREA IN SQ. FT. (□)



RINGEL & ASSOCIATES, INC

DES. EAR					
DR. BB, KT					
CHK. WKJ, EAR					
APPD. [Signature]	NO.	DATE	REVISION	BY	APPD.

PLAN & DETAILS

SEWERAGE COMMISSION,
 OROVILLE REGION
 OROVILLE, CALIFORNIA

FEATHER RIVER FORCE MAIN
 SC - OR WEST INTERCEPTOR

SHEET
 14 OF 20
 DATE AUG. 1, 1974
 PROJ. NO. 2316