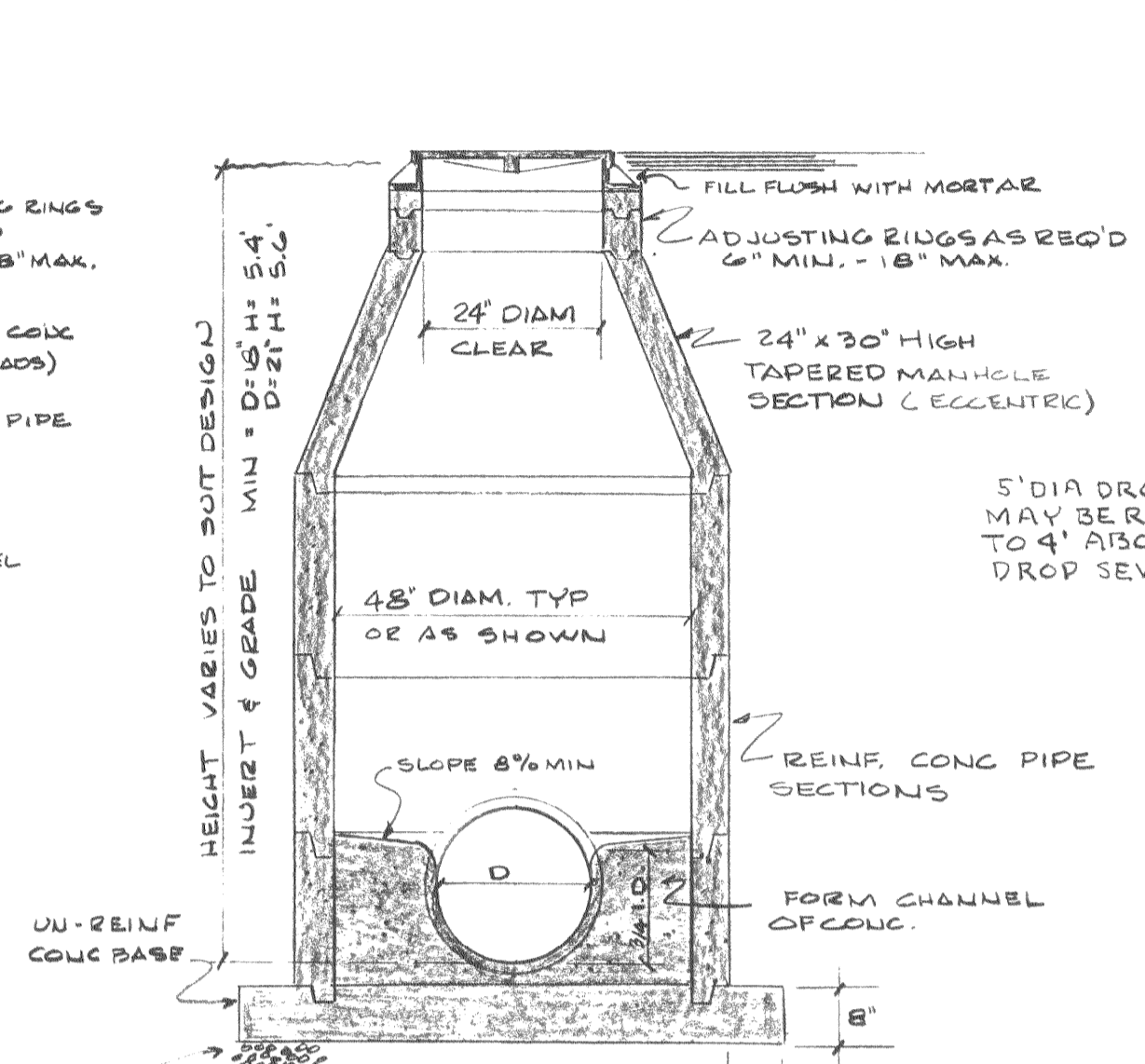
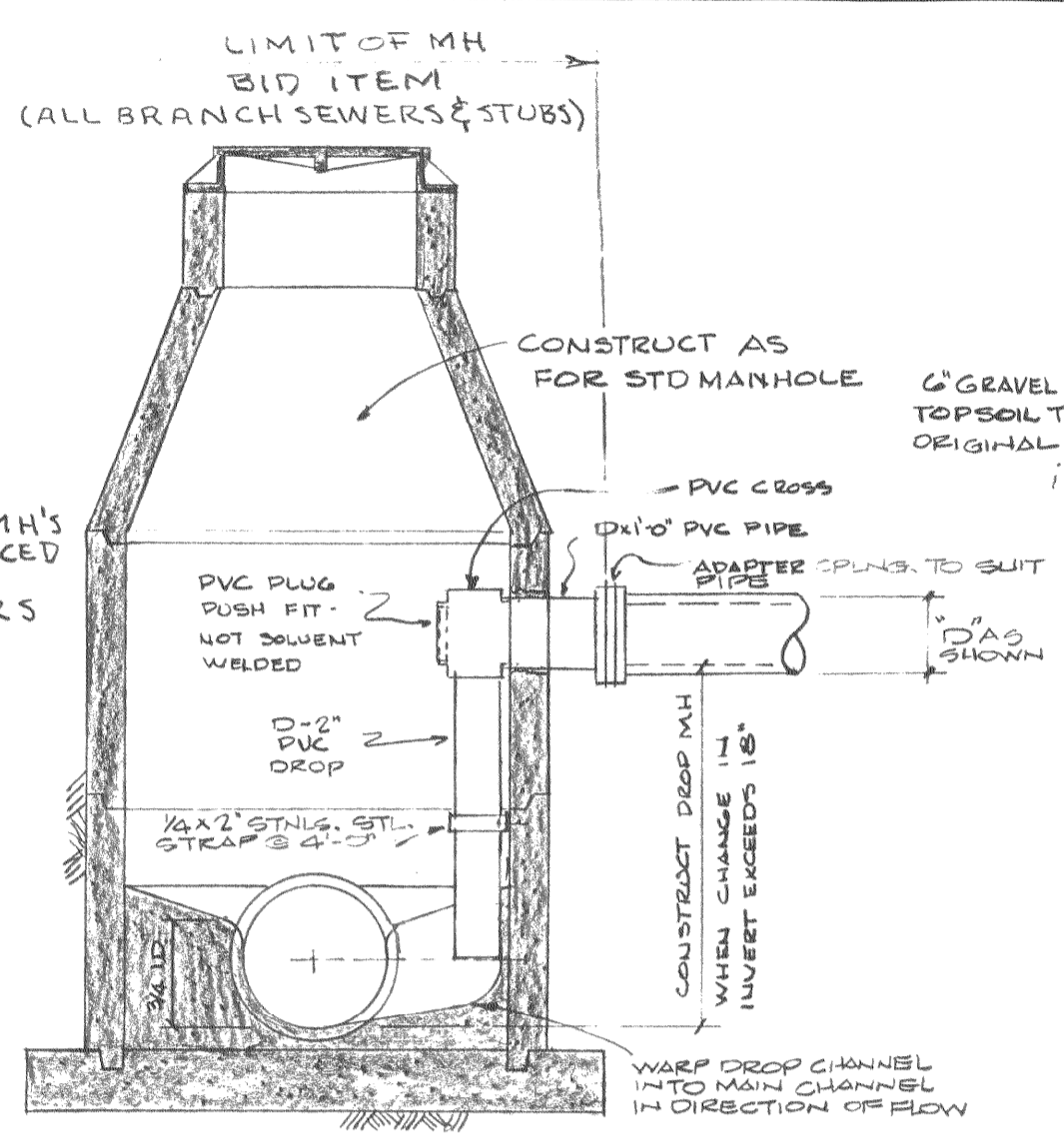


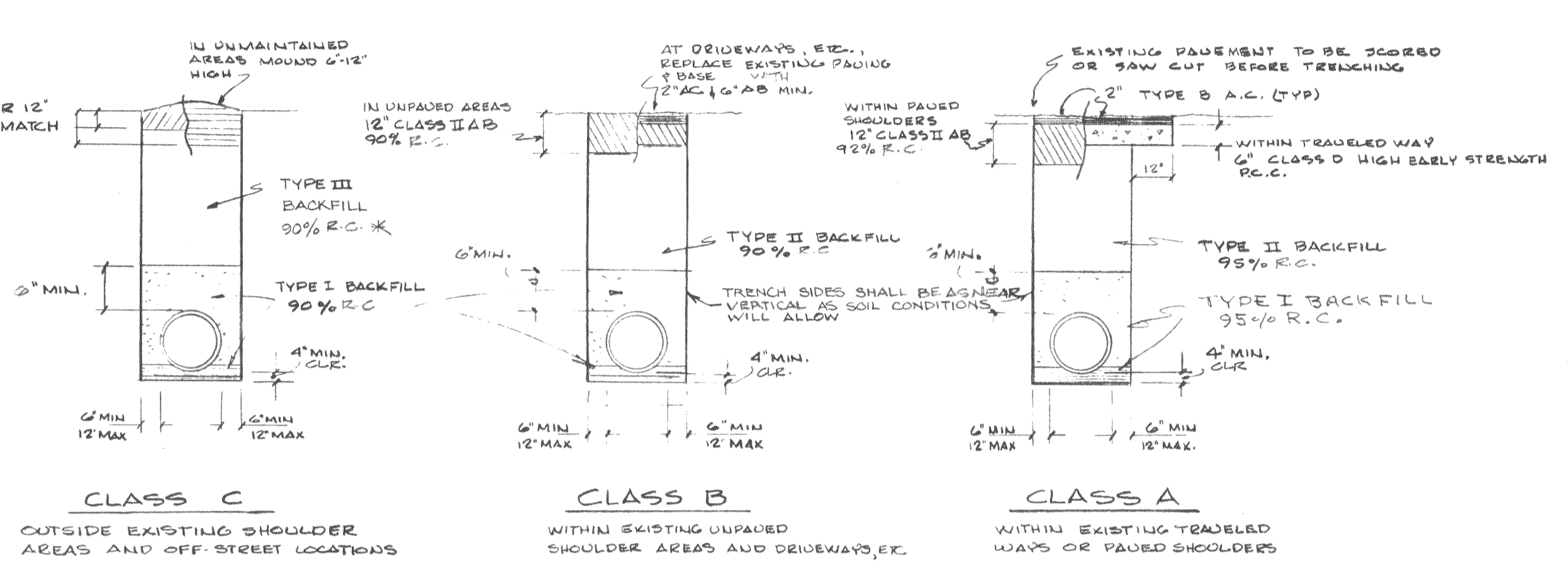
TYPE B SHALLOW MANHOLE
SCALE 1" = 2'



TYPE A STANDARD MANHOLE
SCALE 1" = 2'



DROP MANHOLE
SCALE 1" = 2'

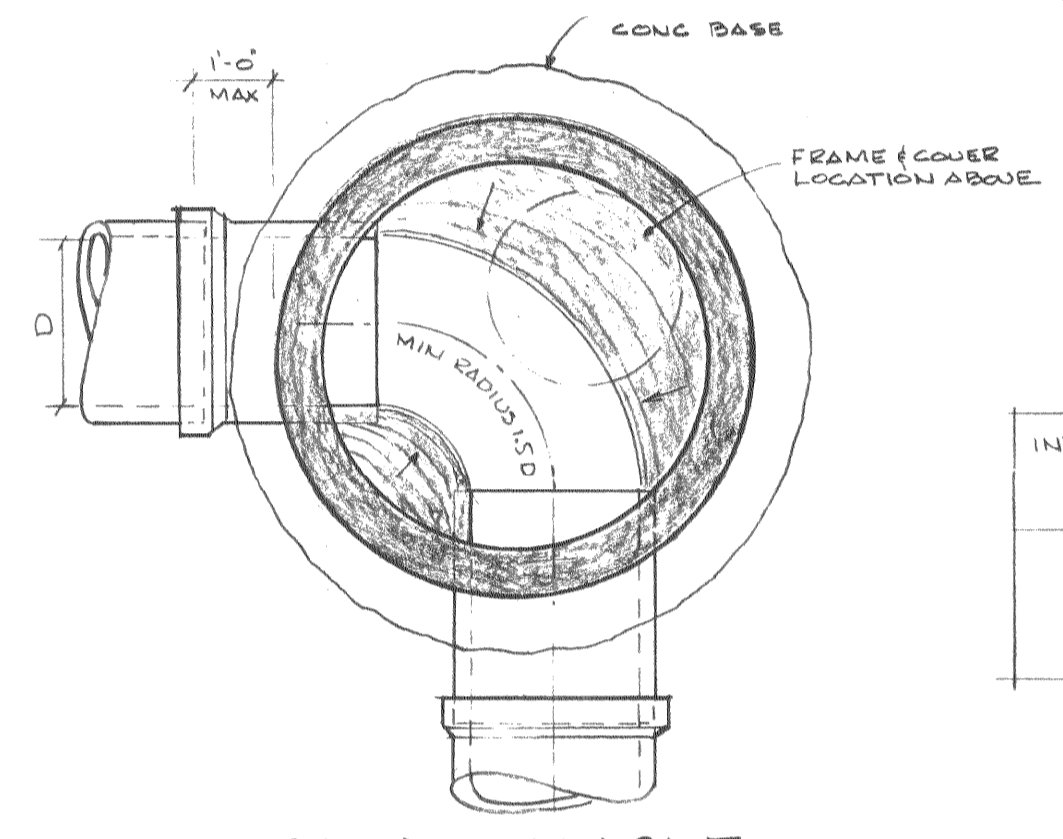


TYPICAL TRENCH SECTIONS
NO SCALE
*85% RELATIVE COMPACTION IN THE FOLLOWING S.F. RANGES:
FORCE MAIN STA. 0+25 TO 15+30
"S" LINE STA. 44+50 TO 66+50

BEDDING & BACKFILL GRADATION

SCREEN SIZE	BEDDING & BACKFILL	
	TYPE I	TYPE II
3"	100	90-100
1 1/4"	100	-
3/4"	90-100	-
3/8"	40-90	-
#4	20-45	35-100
#8	15-45	-
#16	5-35	20-100
#30	5-15	-
#60	3-10	-
#100	1-5	-
#200	0-2	-
MIN. S.E.	15	20

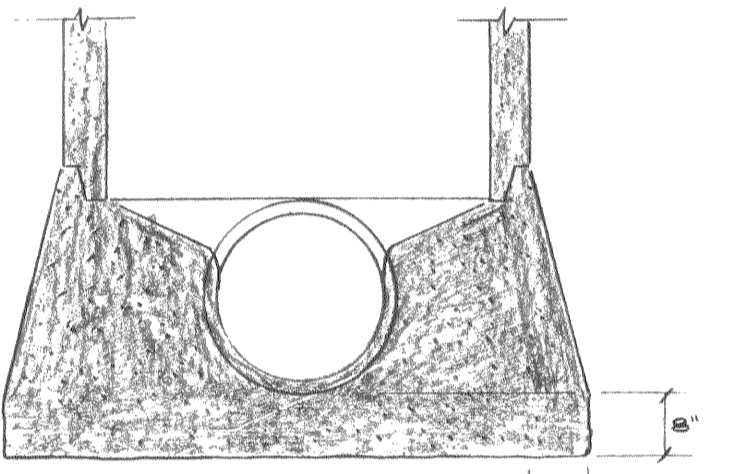
TYPE III BACKFILL CONSISTS OF NATIVE MATERIAL, FREE OF VEGETABLE MATTER OR OTHER UNSATISFACTORY MATERIAL.



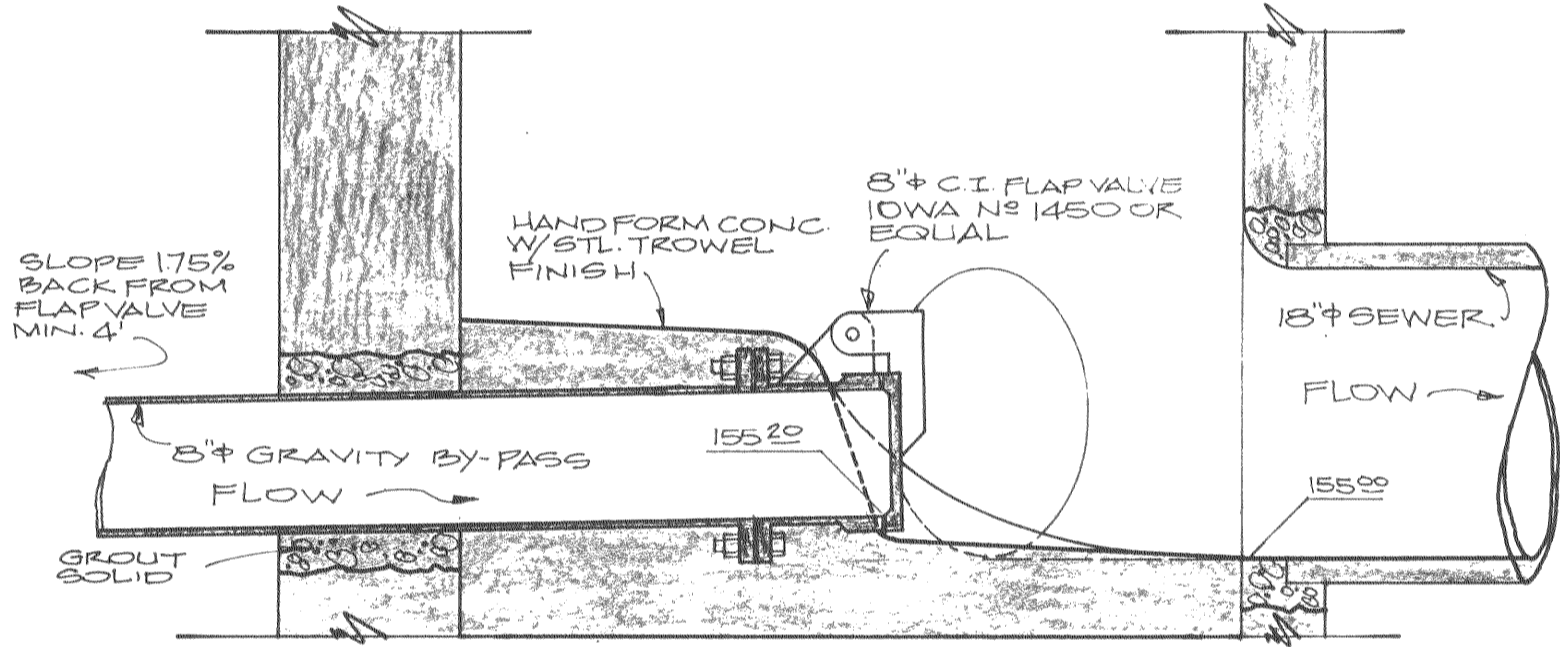
TYPICAL ANGLE
SCALE 1" = 2'

INTERCEPTOR SEWER DIAMETER	MANHOLE ANGLE		
	0°-90°	90°-115°	115°-120°
18"	48"	48"	60"
21"	48"	60"	60"

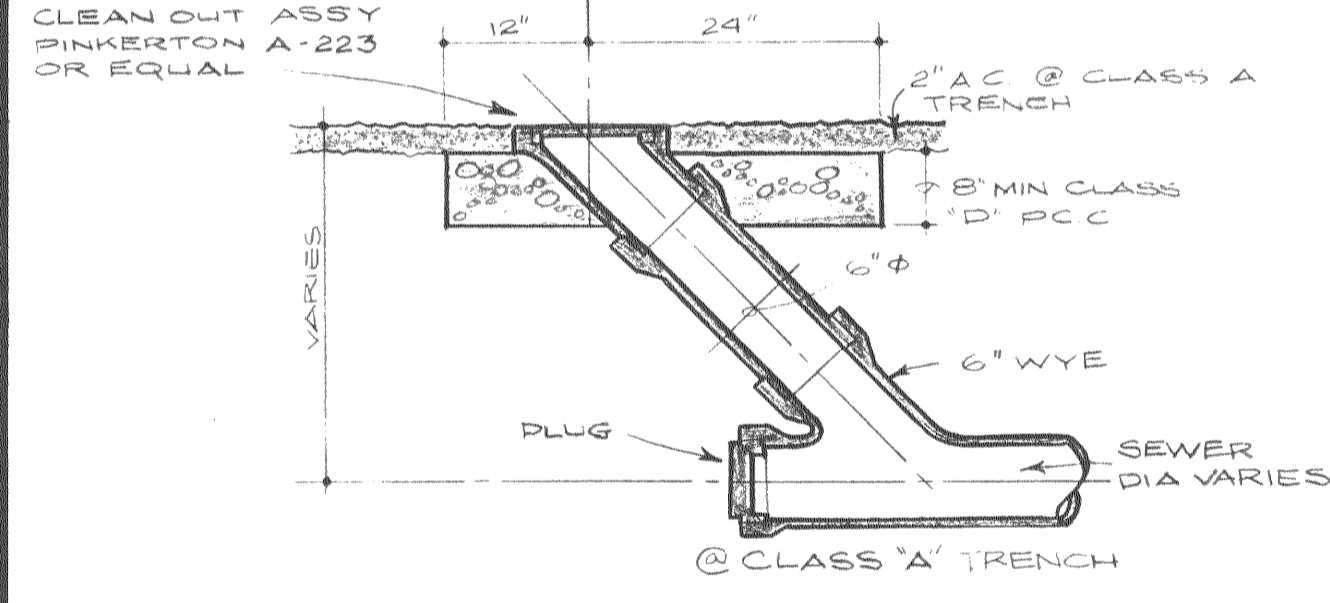
MANHOLE DIAM.



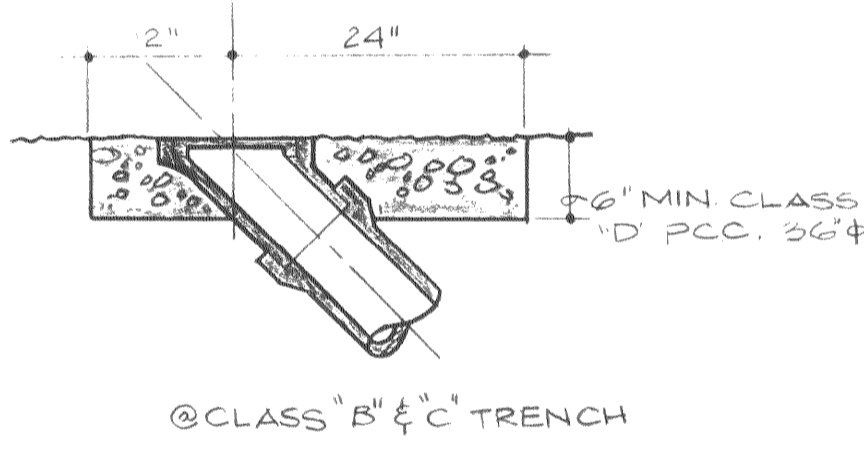
ALTERNATE BASE SECTION



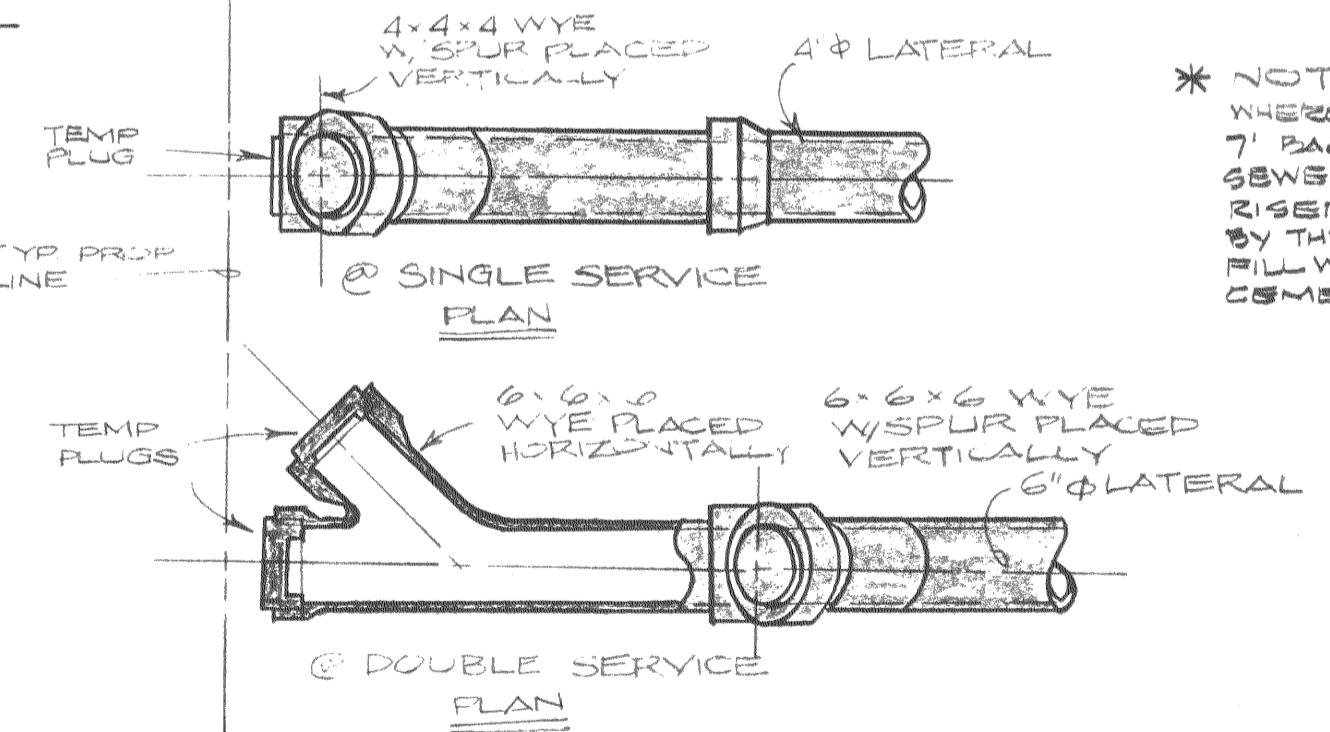
SECTION A-B
1" = 10'



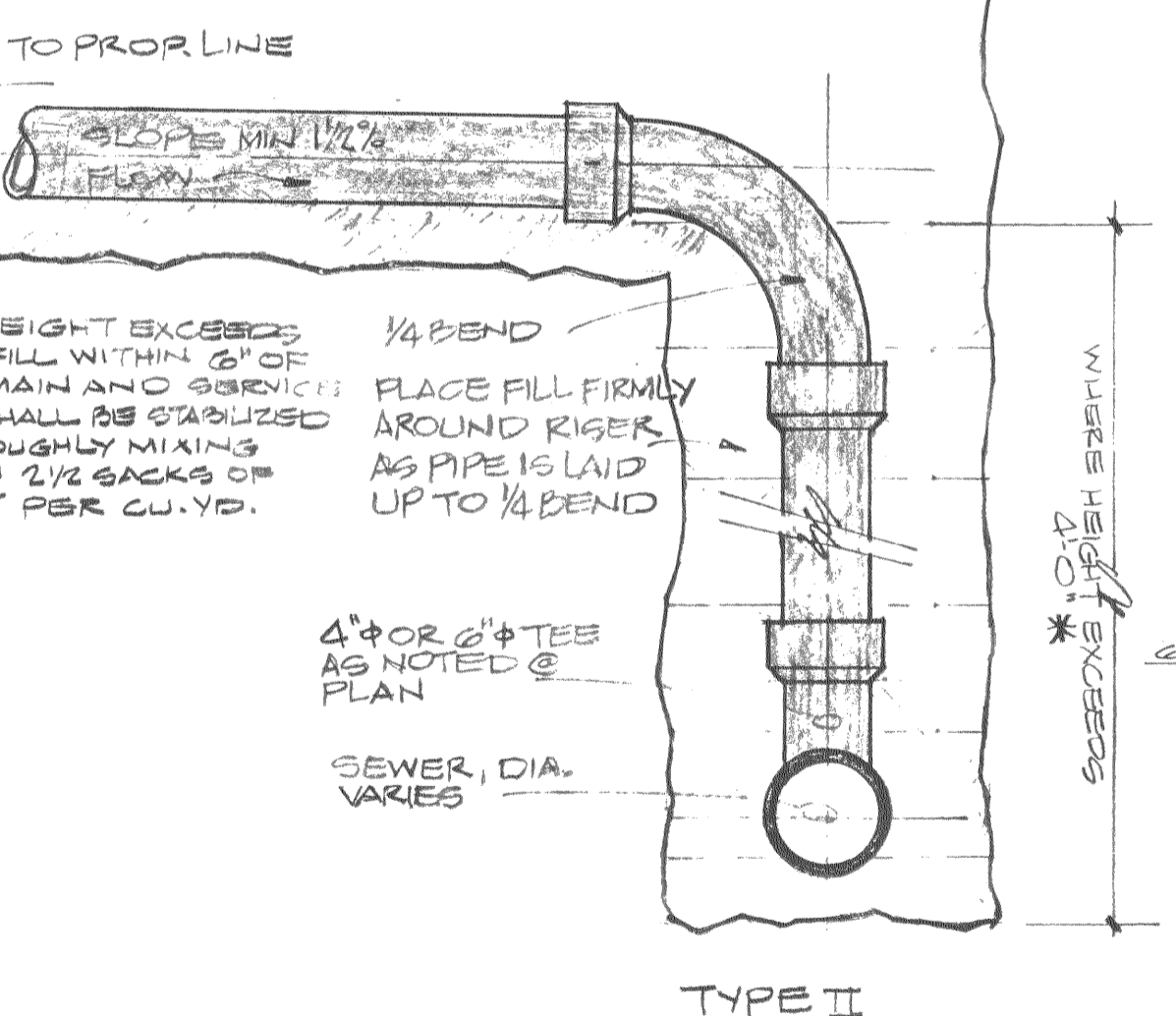
TYPICAL CLEANOUT



TYPICAL SERVICE LATERALS
N.T.S.

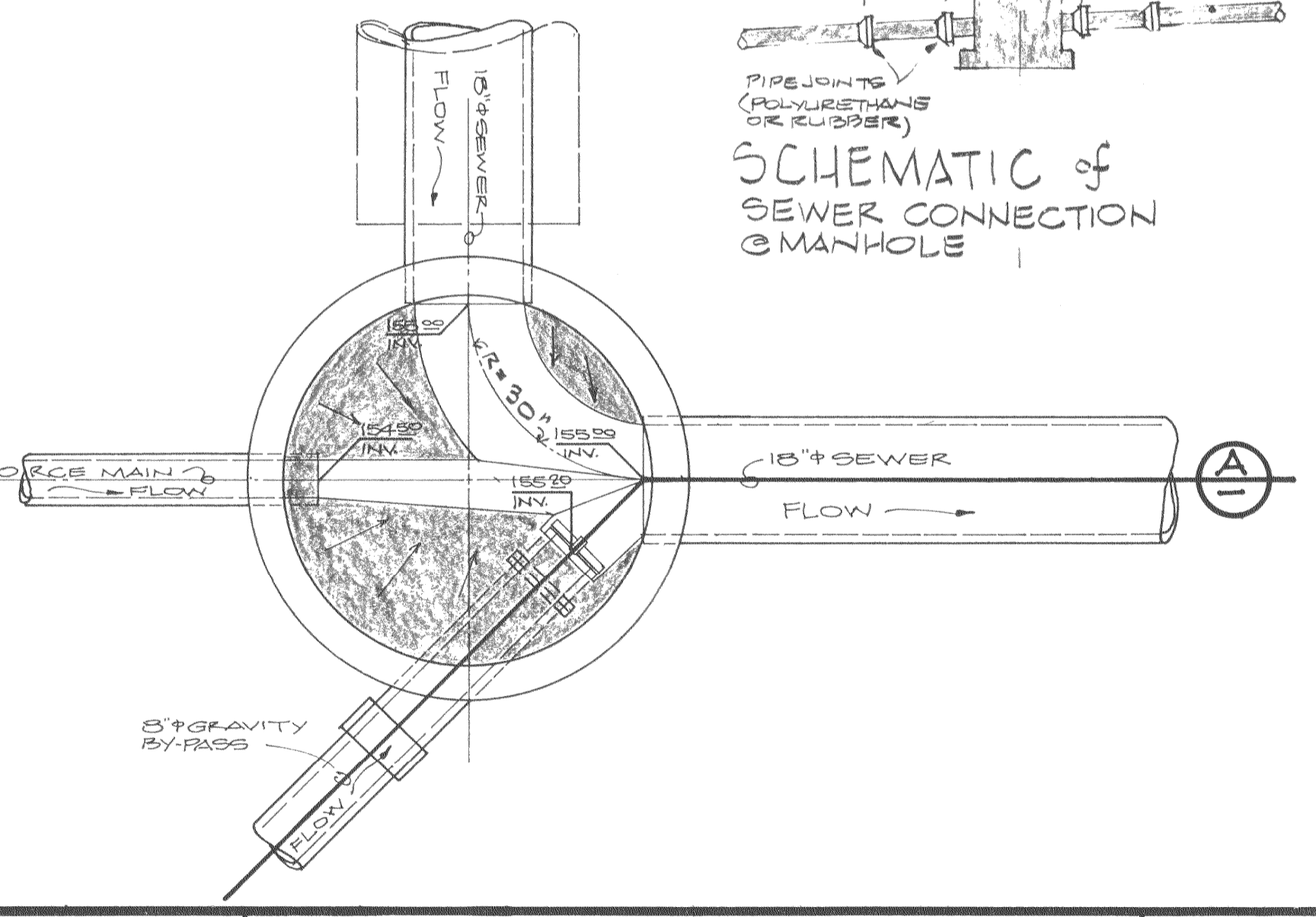


* NOTE WHERE HEIGHT EXCEEDS 7' BACKFILL WITHIN 6" OF SEWER MAIN AND SERVICE RISER SHALL BE STABILIZED BY THOROUGHLY MIXING FILL WITH 2 1/2 BAGS OF CEMENT PER CU. YD.



TYPE II

MHC40+24



SCHEMATIC of SEWER CONNECTION @ MANHOLE

RINGEL & ASSOCIATES, INC

DES. W.K.J., D.H.					
DR. W.K.J., D.H., K.T.					
CHK. E.A.R.					
APPD. [Signature]	NO.	DATE	REVISION	BY	APPD.

MANHOLES, HOUSE LATERALS, AND MISCELLANEOUS PIPELINE DETAILS

**SEWERAGE COMMISSION,
OROVILLE REGION
OROVILLE, CALIFORNIA**

SC - OR WEST INTERCEPTOR

SHEET
13 OF 20
DATE AUG. 1, 1974
PROJ. NO. 2316

277
53