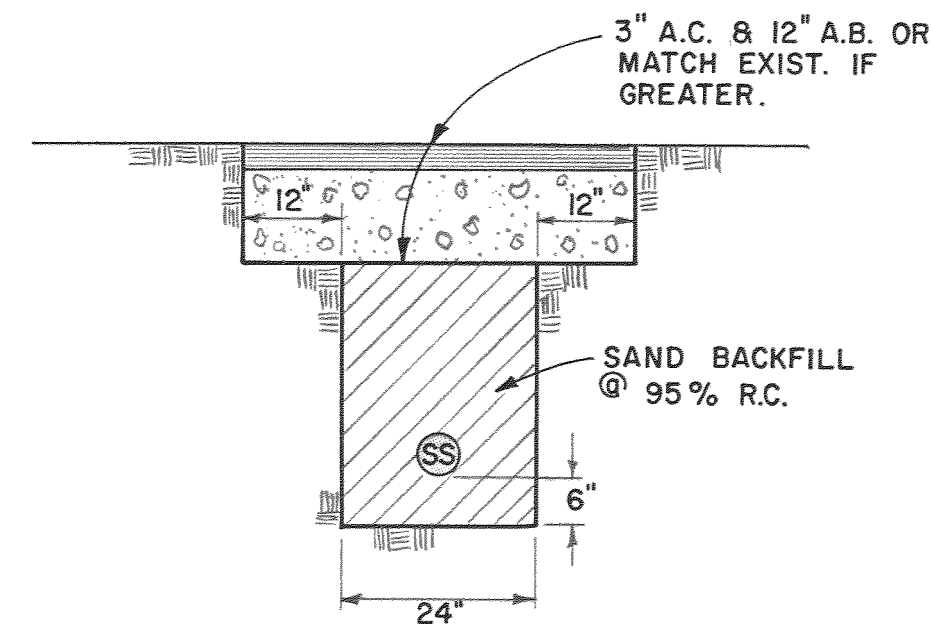
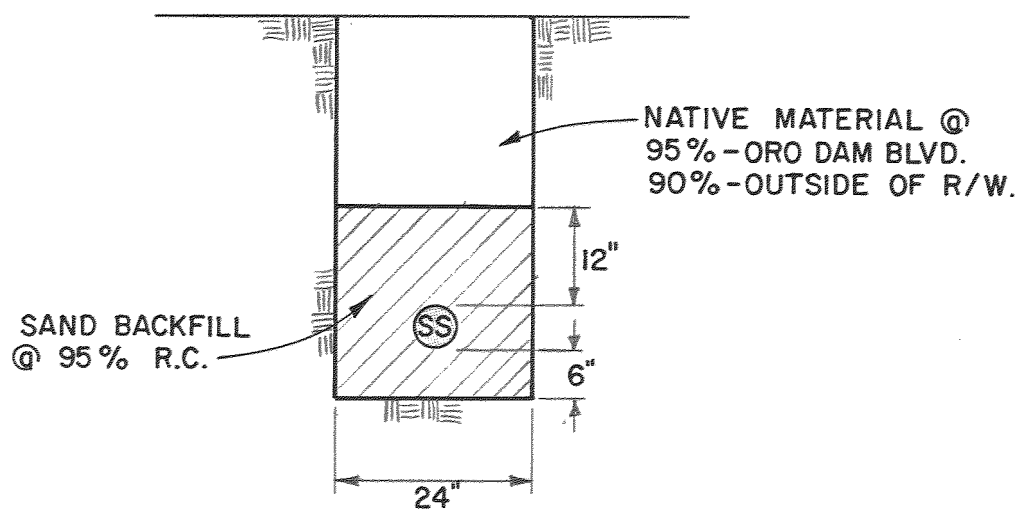


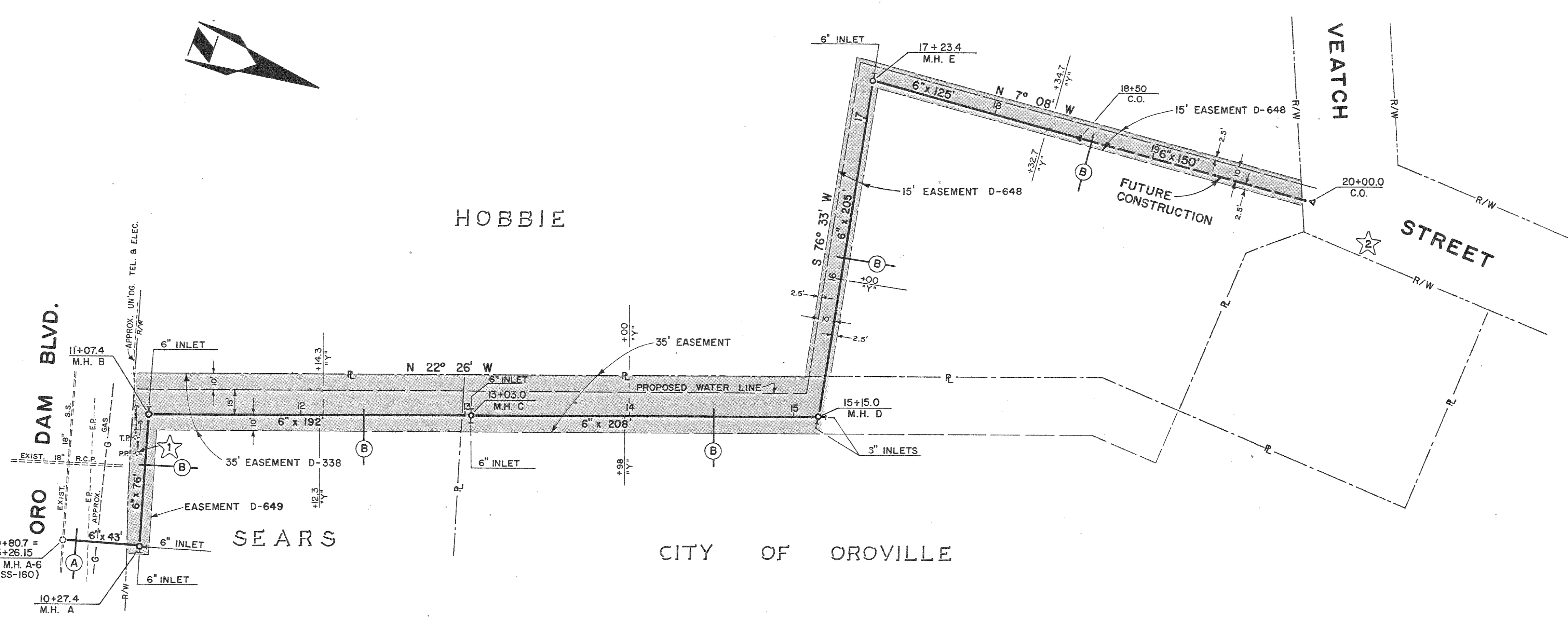
THE EXISTENCE AND LOCATION OF ALL UTILITIES SHALL BE VERIFIED BY THE CONTRACTOR.



A ORO DAM BOULEVARD - TRAVELED WAY
1" = 2'



B ORO DAM BOULEVARD & OUTSIDE R/W - NATIVE GROUND
1" = 2'



PLAN SCALE: 1" = 40'

VERTICAL DATUM FOR THIS SURVEY FROM BRASS CAP IN N.E. HEADWALL S.P.R.R. OVERCROSSING. ELEV. = 194.92.

B.M. R.R. SPIKE IN P.P. ELEV. = 171.75

B.M. R.R. SPIKE IN P.P. ELEV. = 184.06

PROFILE SCALE
HORIZ. 1" = 40'
VERT. 1" = 4'

