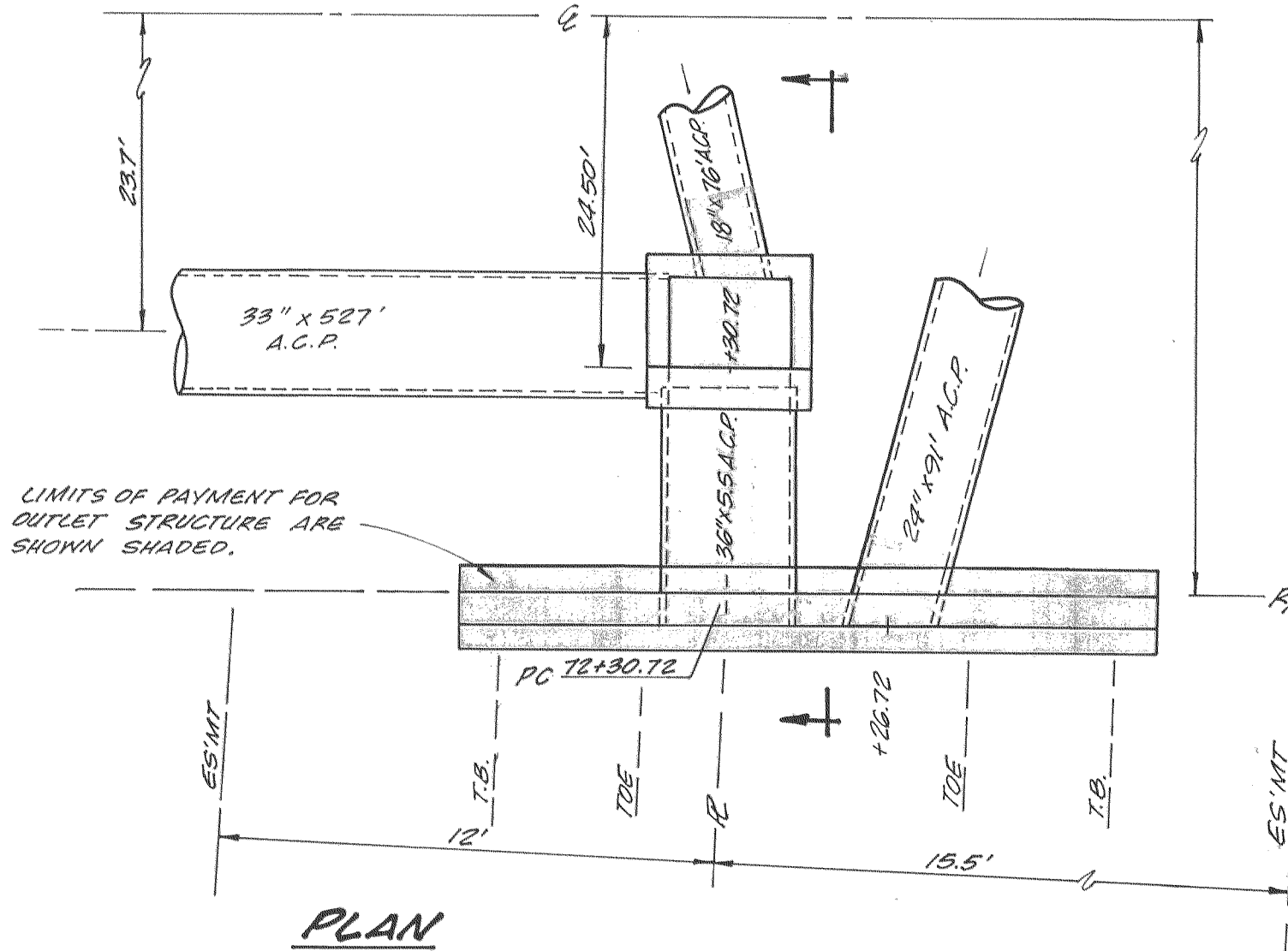


NOTE:
 CONTRACTOR SHALL OBTAIN ALL NECESSARY CAL-TRANS PERMITS PRIOR TO ANY CONSTRUCTION WITHIN THE R/W OF ORO DAM BLVD.

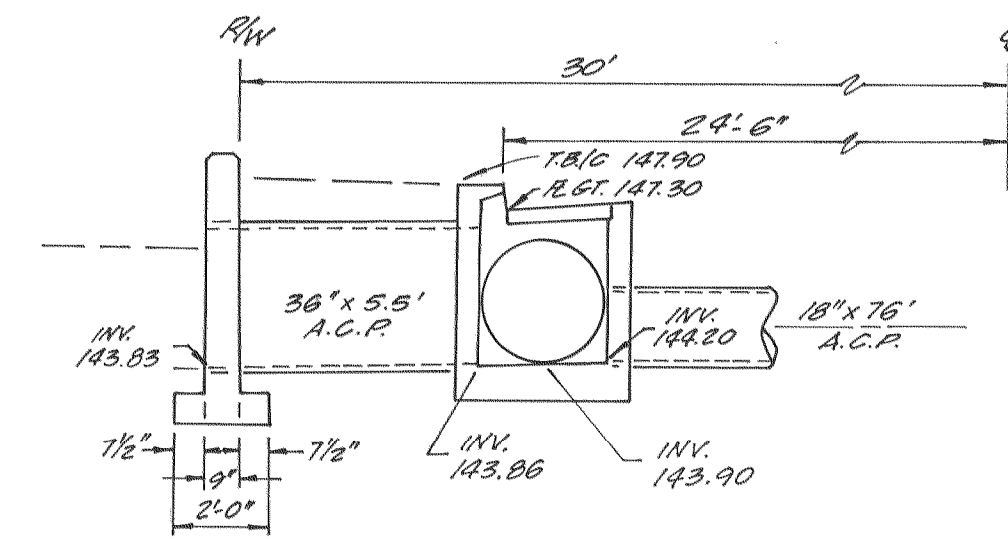
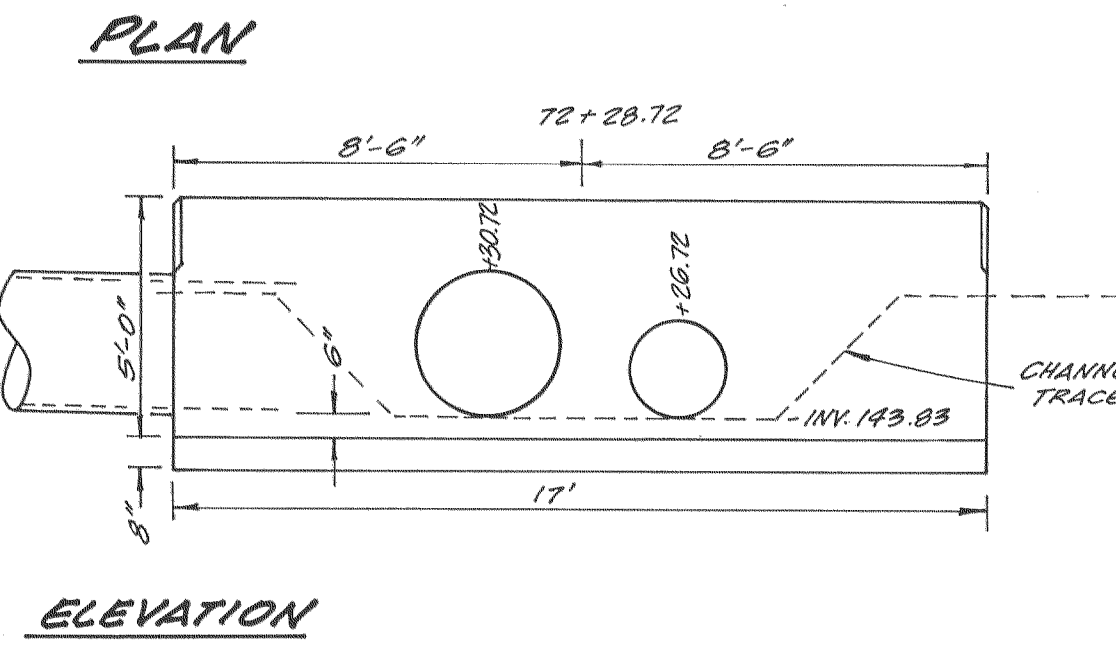
THE EXISTENCE AND LOCATION OF ALL UTILITIES SHALL BE VERIFIED BY THE CONTRACTOR.

AS BUILT 7/6/81

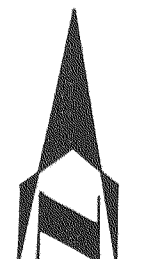
1
SO. SEVENTH AVE. & ORO DAM BLVD.
 SCALE: 1" = 20'



NOTE: FOR HEADWALL DETAILS, SEE MARCH 1977 STATE STD. PLANS D89-4



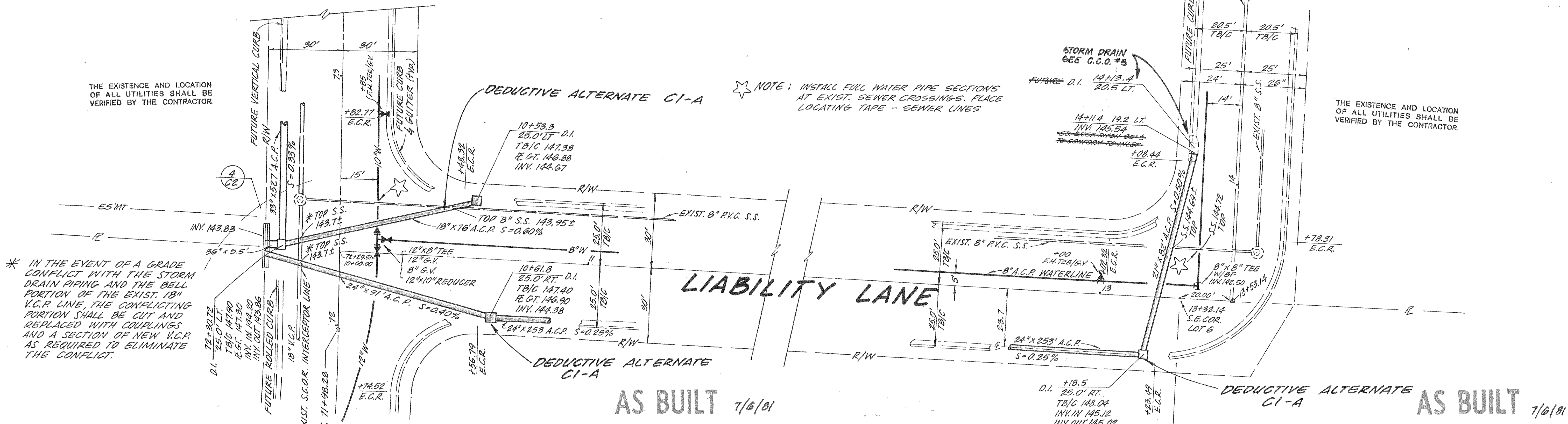
4
SO. SEVENTH AVE. DRAIN OUTLET STRUCTURE
 SCALE: 1" = 4'



THE EXISTENCE AND LOCATION OF ALL UTILITIES SHALL BE VERIFIED BY THE CONTRACTOR.

NOTE: INSTALL FULL WATER PIPE SECTIONS AT EXIST. SEWER CROSSINGS. PLACE LOCATING TAPE - SEWER LINES

THE EXISTENCE AND LOCATION OF ALL UTILITIES SHALL BE VERIFIED BY THE CONTRACTOR.



AS BUILT 7/6/81

2
SO. SEVENTH AVE. & LIABILITY LANE
 SCALE: 1" = 20'

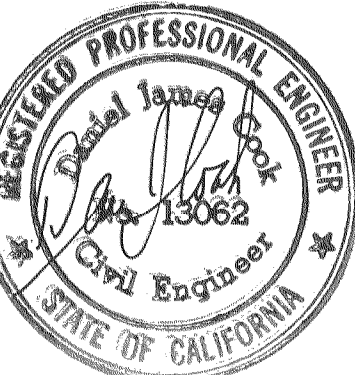
DEDUCTIVE ALTERNATE CI-A

AS BUILT 7/6/81

3
LIABILITY LANE
 SCALE: 1" = 20'

COOK ASSOCIATES
 ENGINEERING CONSULTANTS
 2060 PARK AVENUE, OROVILLE, CALIFORNIA 95965

CITY OF OROVILLE
 Industrial Unit No. 2
 E.D.A. PROJECT NO. 07-01-02169
 INTERSECTION LAYOUT DETAILS



REVISION	DATE

S. JACKSON II
 DRAWN DATE
 D.J.C. 11/79
 APPROVED DATE
 A-361
 FILE NO.

SHEET NO.
C2
 OF 27 SHTS

JOB NO.
 79457