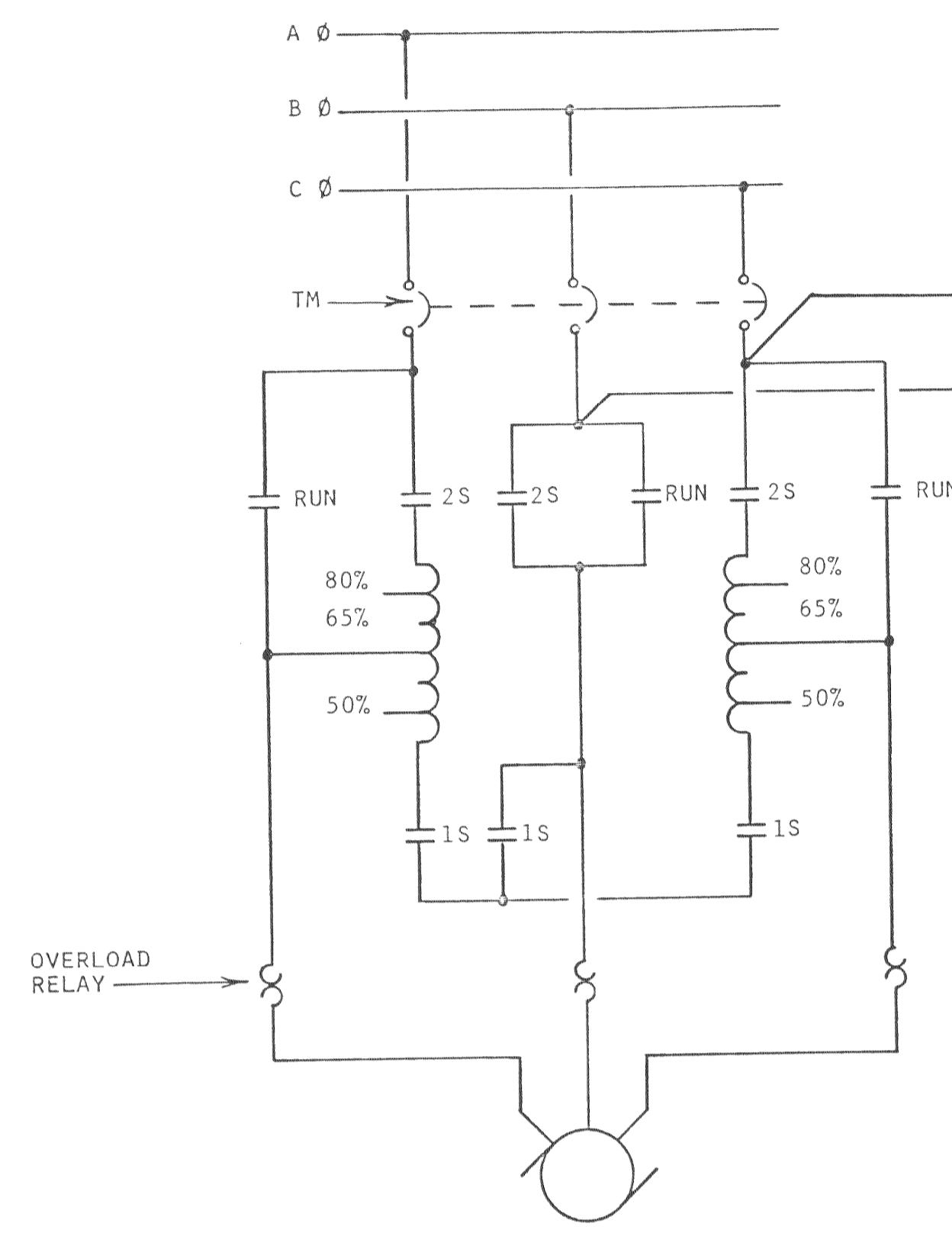
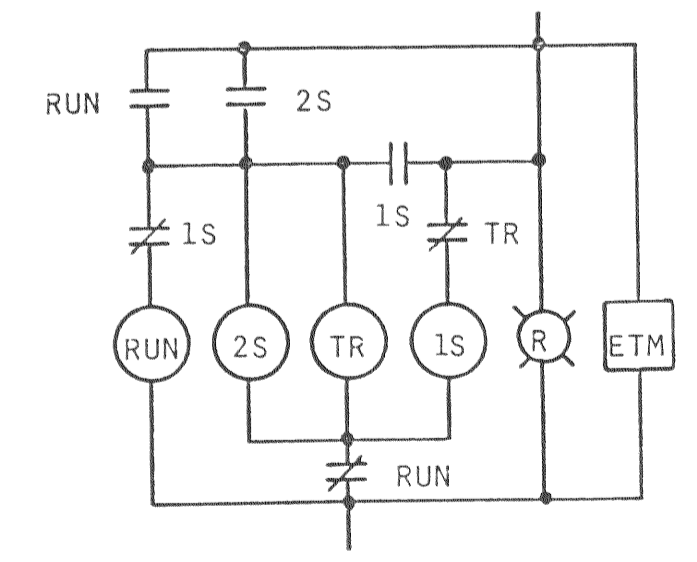


MOTOR STARTER & CONTROL DIAGRAM A
E-4



REDUCED VOLTAGE CONTROLS B
E-4



| INSTRUMENTATION EQUIPMENT SCHEDULE | | | | |
|------------------------------------|----------------|----------------------------------|---------------------|-----------------------|
| TAG NO. | DEVICE NAME | TYPE DEVICE | MANUFACTURER | ALT. MANUFACTURER |
| LSL/LSH/LAH | LEVEL SWITCHES | FLOAT ACTUATED LEVEL SWITCH UNIT | FLYGT | CONSOLIDATED ELECTRIC |
| IR | CONTROL RELAY | INTRINSICALLY SAFE RELAY | WARRICK | GEMS |
| TDO | CONTROL RELAY | TIME DELAY RELAY | AGASTAT 7012 AD | WESTINGHOUSE BST |
| ALT | ALTERNATOR | SOLID STATE DPTD LATCHING RELAY | TIME MARK MODEL 261 | |

COOK ASSOCIATES
ENGINEERING CONSULTANTS
 2060 PARK AVENUE, OROVILLE, CALIFORNIA 95965

CITY OF OROVILLE
 OLIVE GLEN LIFT STATION
 WIRING DETAILS



| | |
|------------|------|
| REVISION | DATE |
| | |
| DRAWN | DATE |
| | |
| APPROVED | DATE |
| | |
| FILE NO. | |
| SHEET NO. | |
| E-4 | |
| OF | SHTS |
| | |