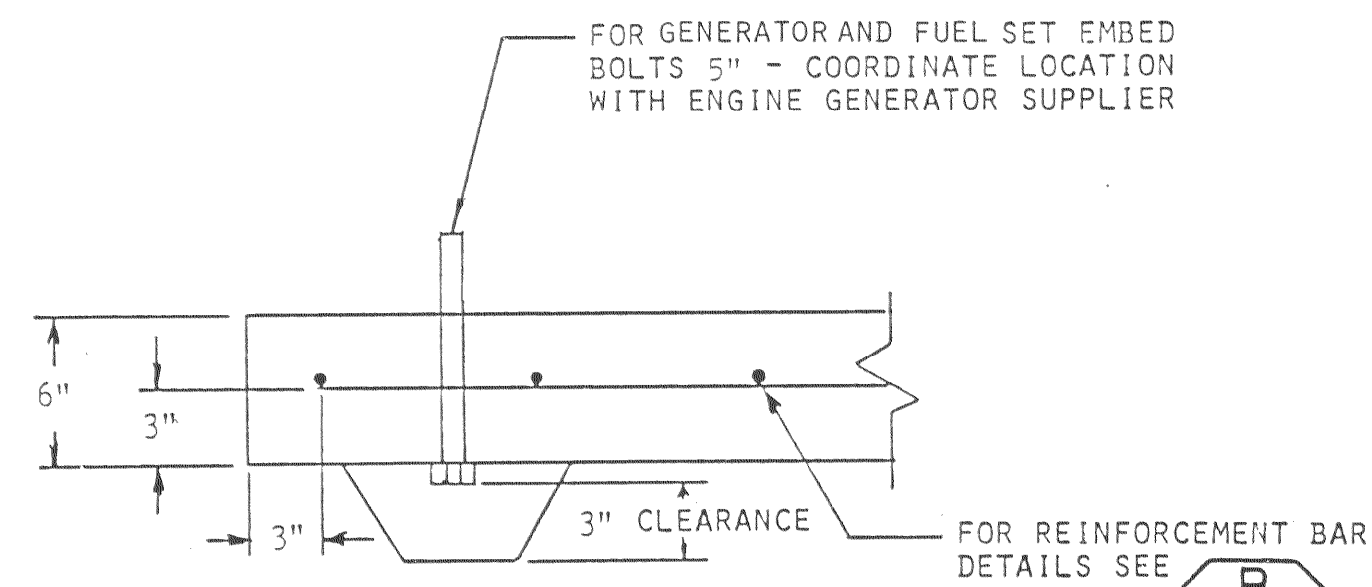
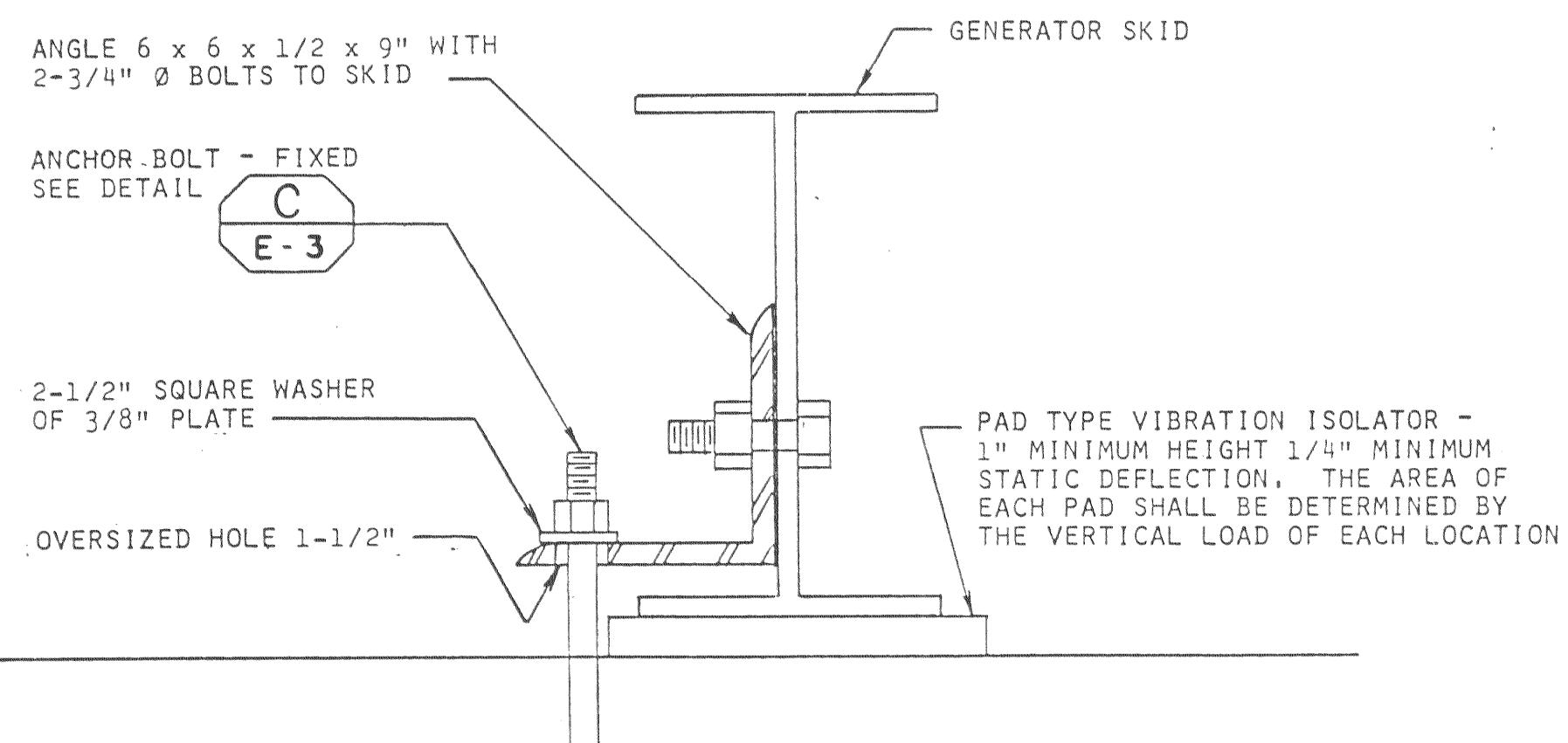


TYPICAL CONCRETE REINFORCING BAR DETAIL B
E-3
NO SCALE



TYPICAL ANCHOR BOLT DETAIL C
E-3
NO SCALE



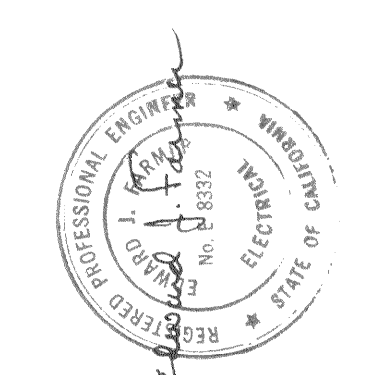
TYP. GENERATOR MOUNTING DETAIL D
E-3

SYMBOL LIST

- 20/3 DENOTES BREAKER SIZE - 20 AMP 3 POLE
- 1 SHEET NOTE #1
- BRANCH CIRCUIT HOME RUN TO PANELBOARD
- A-1 DENOTES PANEL 'A' - CIRCUIT BREAKER NO. 1
- CIRCUIT BREAKER
- TRANSFORMER
- HASH MARKS INDICATE NUMBER OF CONDUCTORS IN CONDUIT
- HASH MARKS INDICATE NUMBER OF CONDUCTORS IN CONDUIT
- FLUORESCENT FIXTURE - SEE FIXTURE SCHEDULE FOR MOUNTING
- INCANDESCENT FIXTURE - CEILING, WALL
- SWITCHBOARD, POWER CONTROL CENTER, UNIT SUBSTATION
- RELAY CONTACT - NORMALLY OPEN/NORMALLY CLOSED
- A
E-1 DETAIL MARKER, 'A' DENOTES DETAIL A, E-1 DENOTES SHEET E-1
- A
100 'A' DENOTES FIXTURE 'A' ON FIXTURE SCHEDULE, 100 DENOTES 100 FULL LINE WATTS
- JUNCTION BOX
- DUPLEX RECEPTACLE OUTLET
- SINGLE POLE SWITCH
- THREE WAY SWITCH
- EF
1 EXHAUST FAN #1
- GENERATOR
- TRANSFER SWITCH
- REDUCED VOLTAGE STARTER
- C CONDUIT
- CU COPPER WIRE
- G.F.I. GROUND FAULT INTERRUPTING
- GND GROUND
- WP WEATHER PROOF

COOK ASSOCIATES
ENGINEERING CONSULTANTS
 2060 PARK AVENUE, OROVILLE, CALIFORNIA 95965

CITY OF OROVILLE
OLIVE GLEN LIFT STATION
GENERATOR & SYMBOLS



REVISION	DATE
DRAWN	DATE
APPROVED	DATE
FILE NO.	
SHEET NO.	
E-3	
OF	SHTS