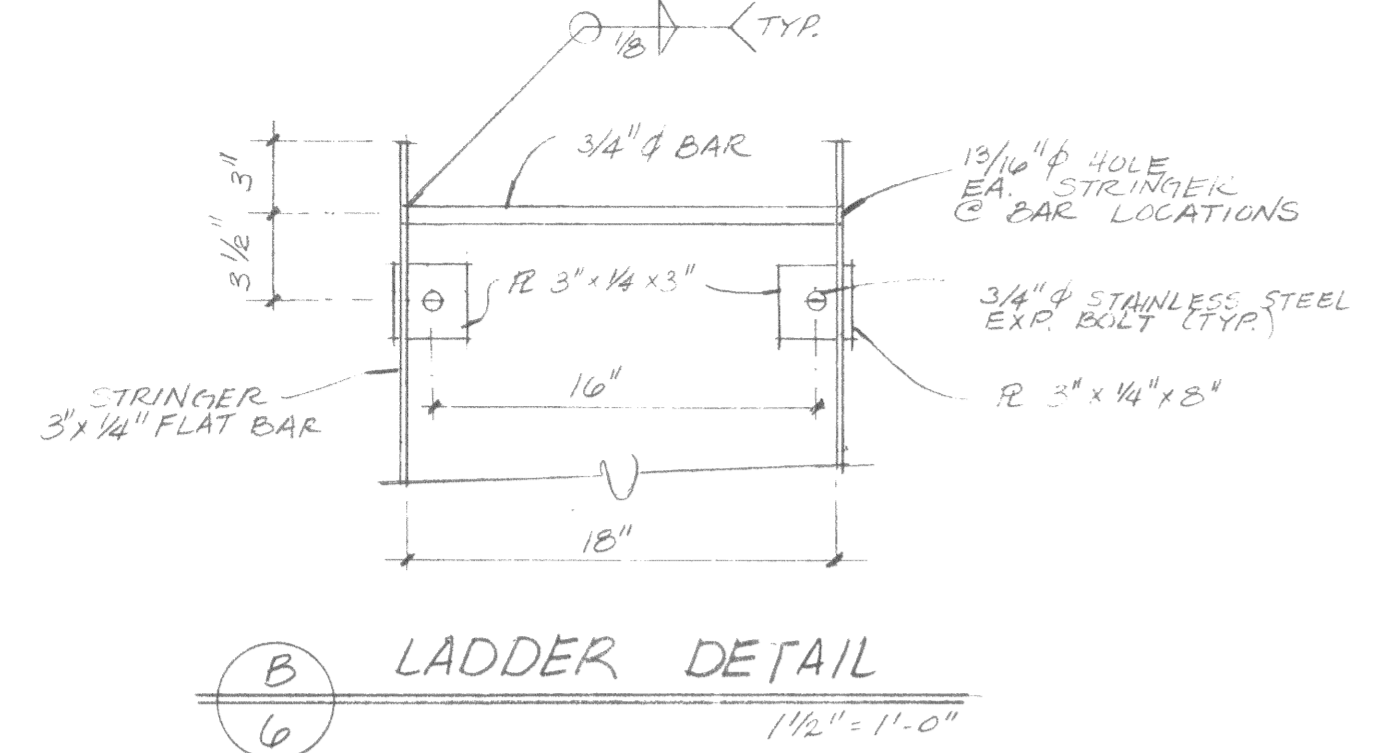
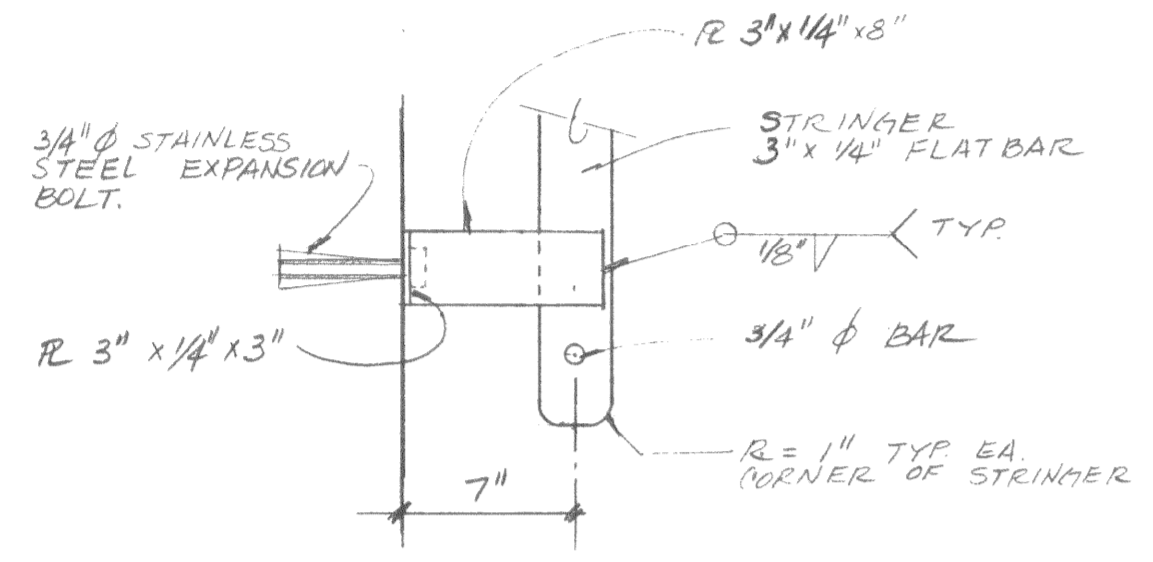


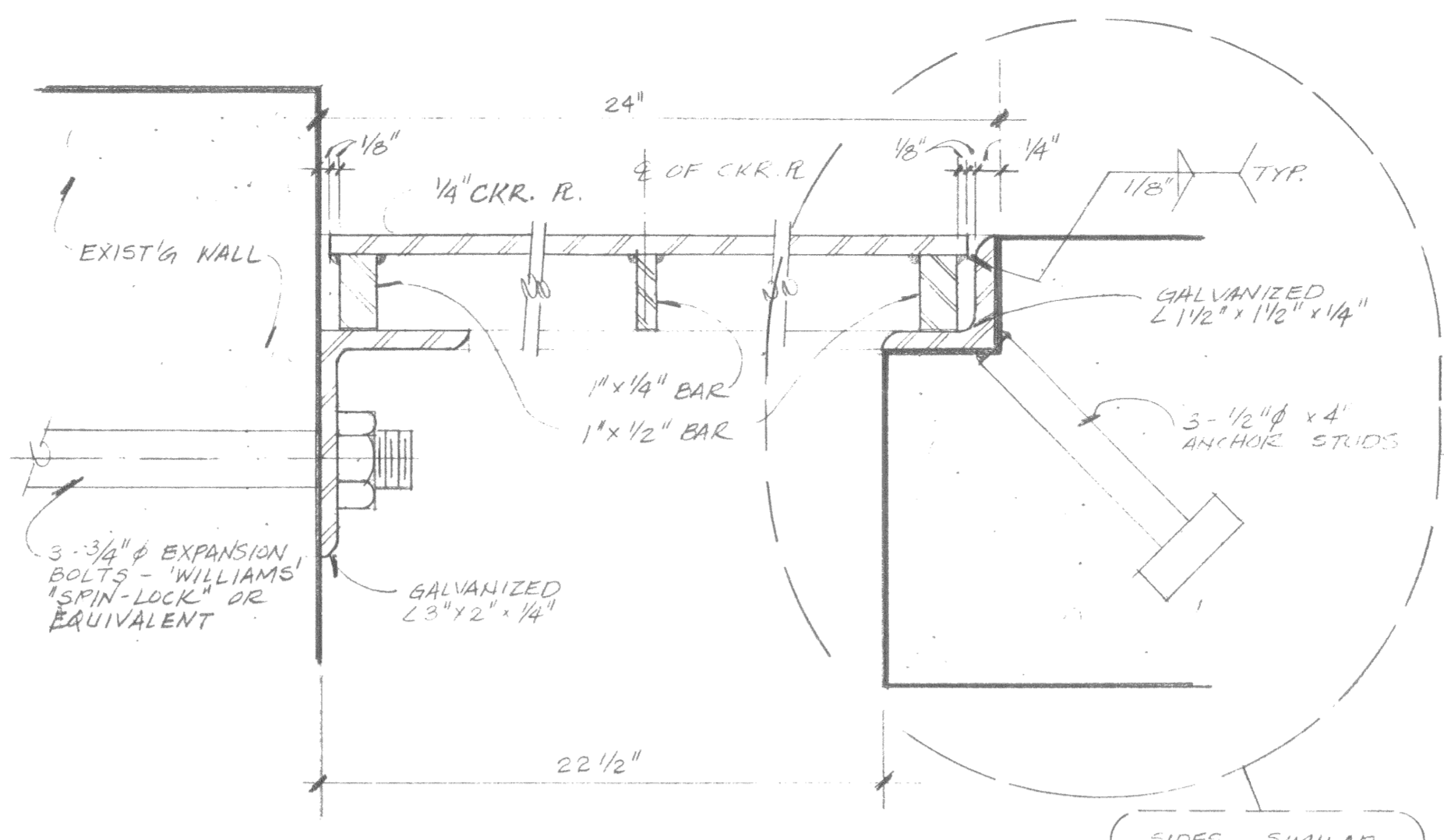
(A) ACCESS LADDER
3/4" = 1'-0"



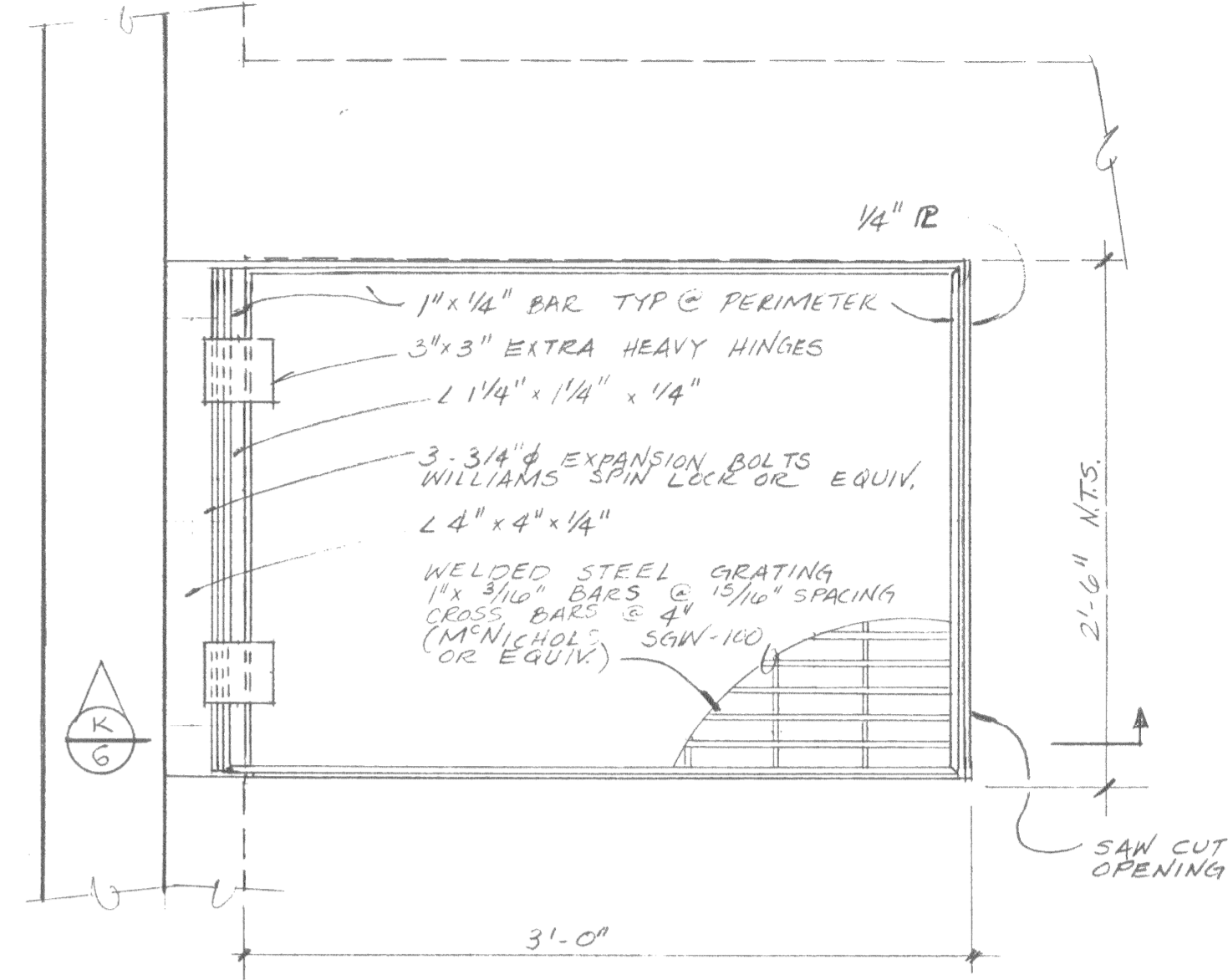
(B) LADDER DETAIL
1/2" = 1'-0"



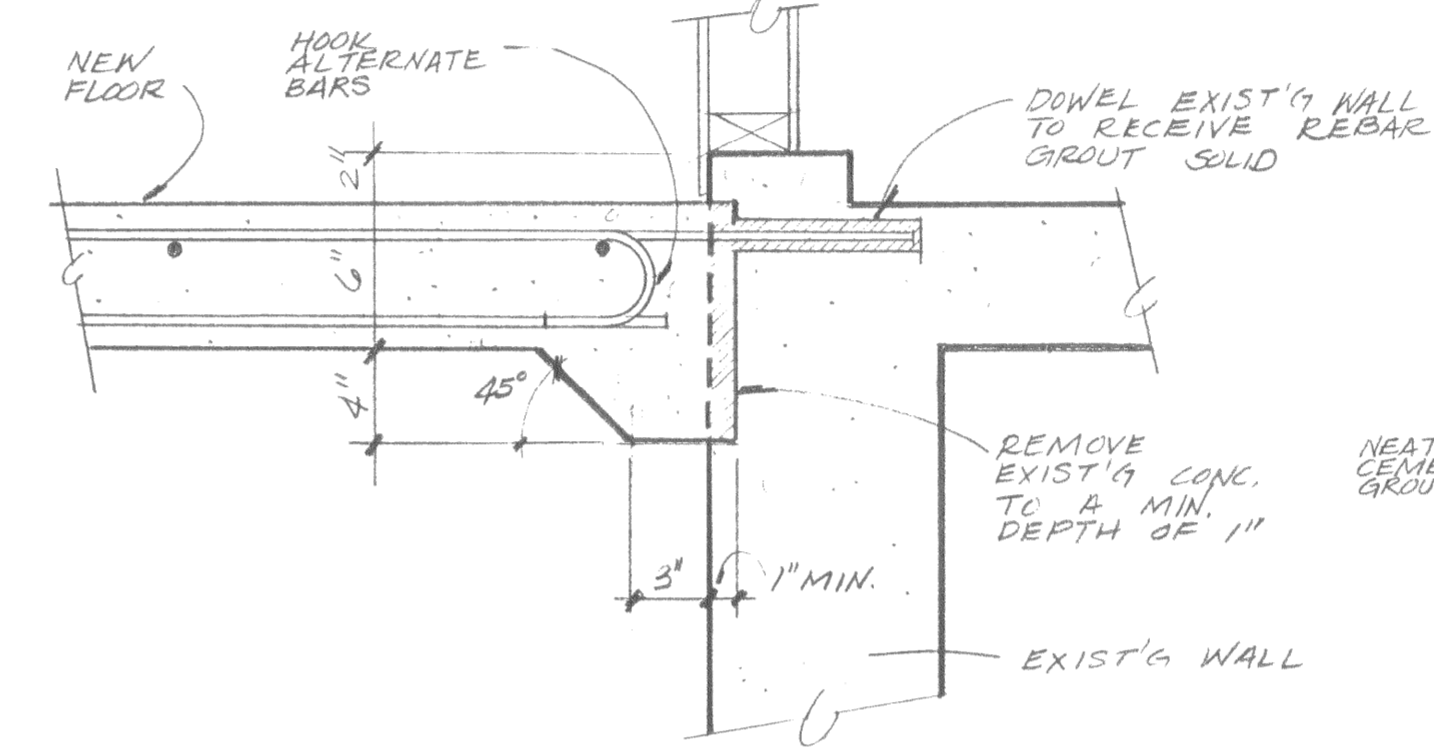
(C) LADDER DETAIL
1/2" = 1'-0"



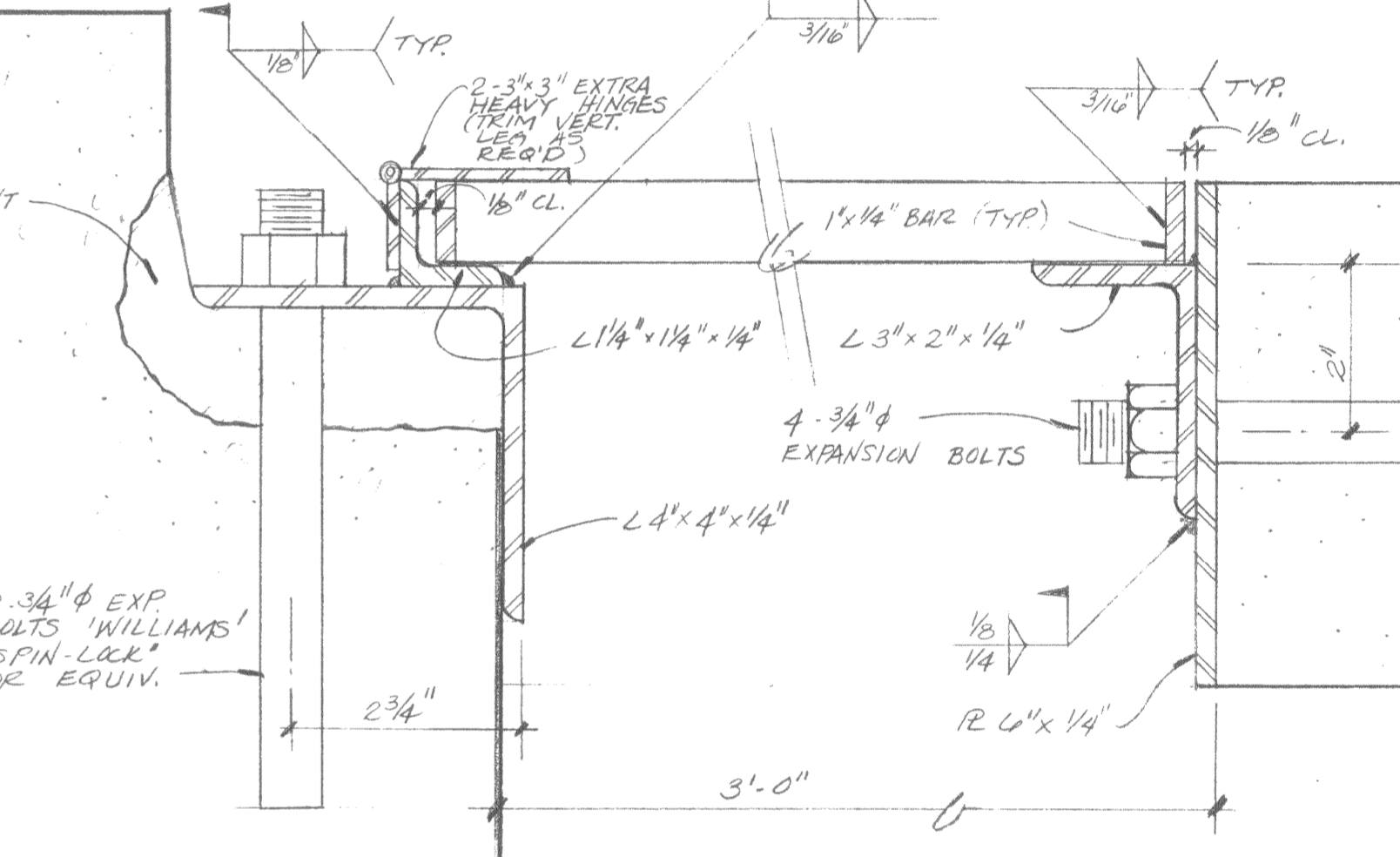
(D) ACCESS HATCH TO NEW WET WELL
HALF SIZE



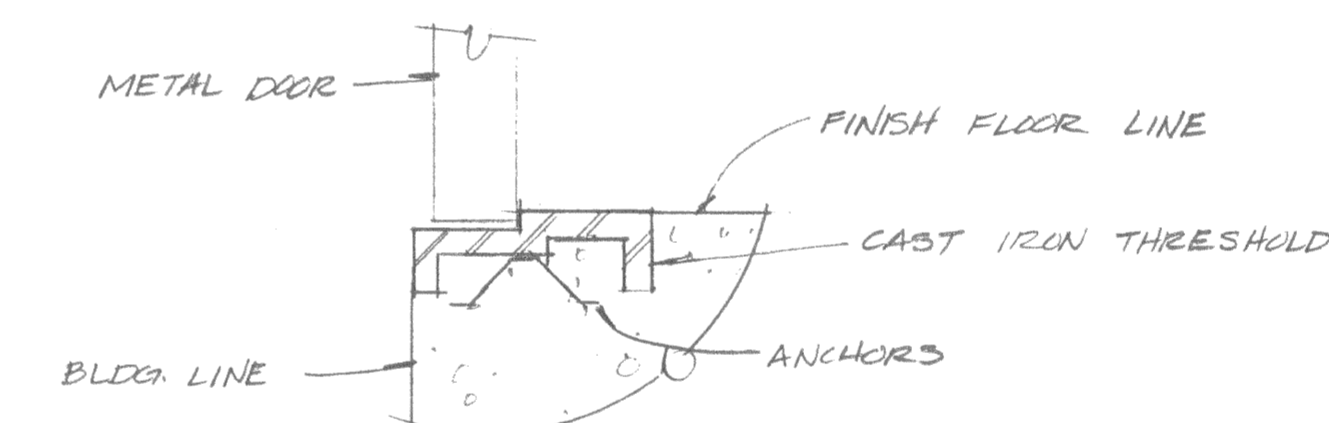
(E) NEW DRY-PIT ACCESS HATCH
1/2" = 1'-0"



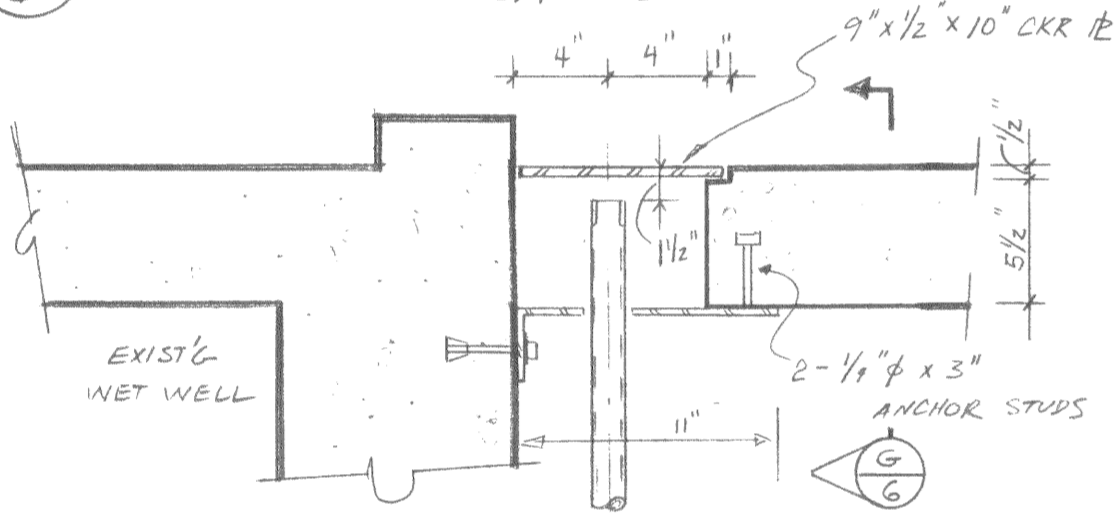
(H) JOINT @ NEW FLR. TO EXIST'G WALL
1/2" = 1'-0"



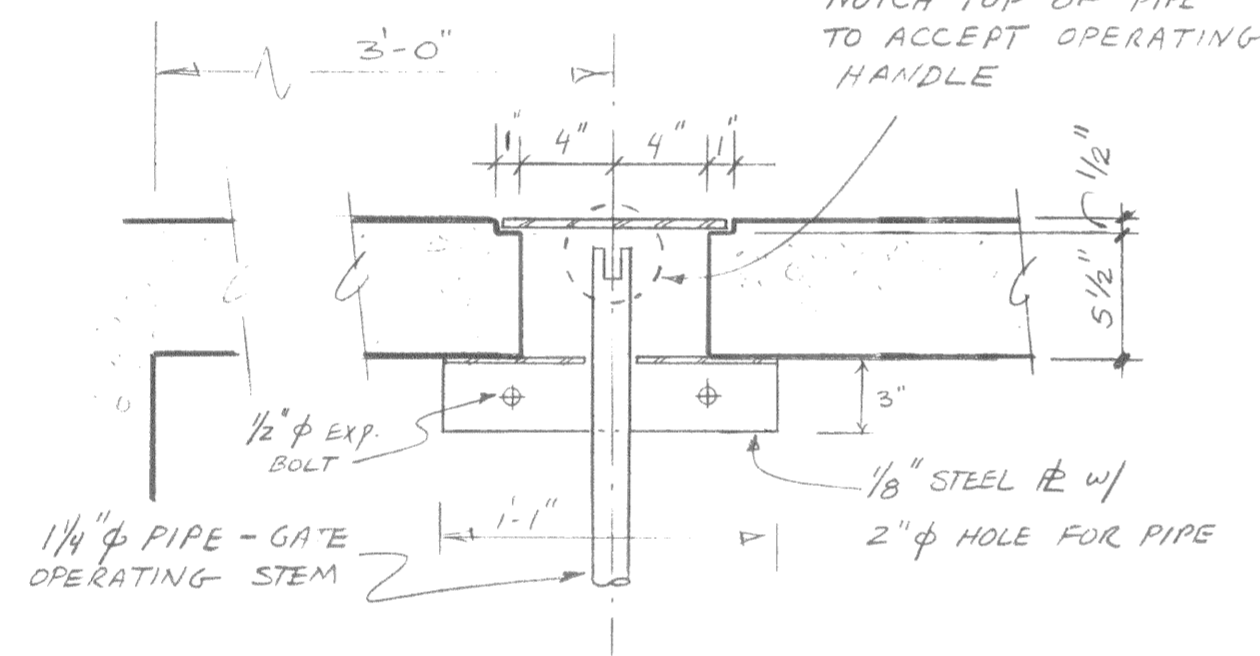
(K) NEW DRY-PIT ACCESS HATCH
HALF-SIZE



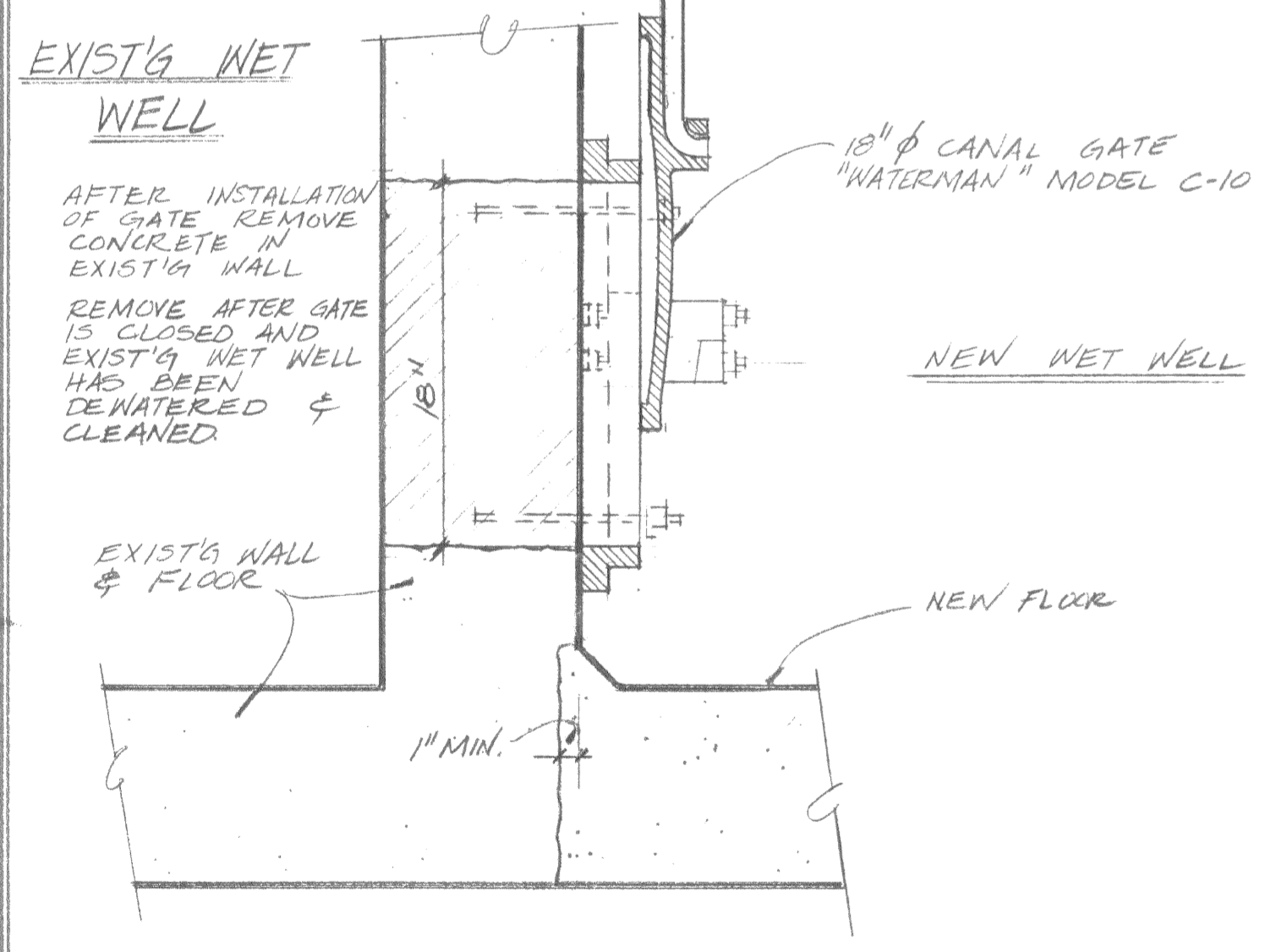
(J) THRESHOLD
1/2" = 1'-0"



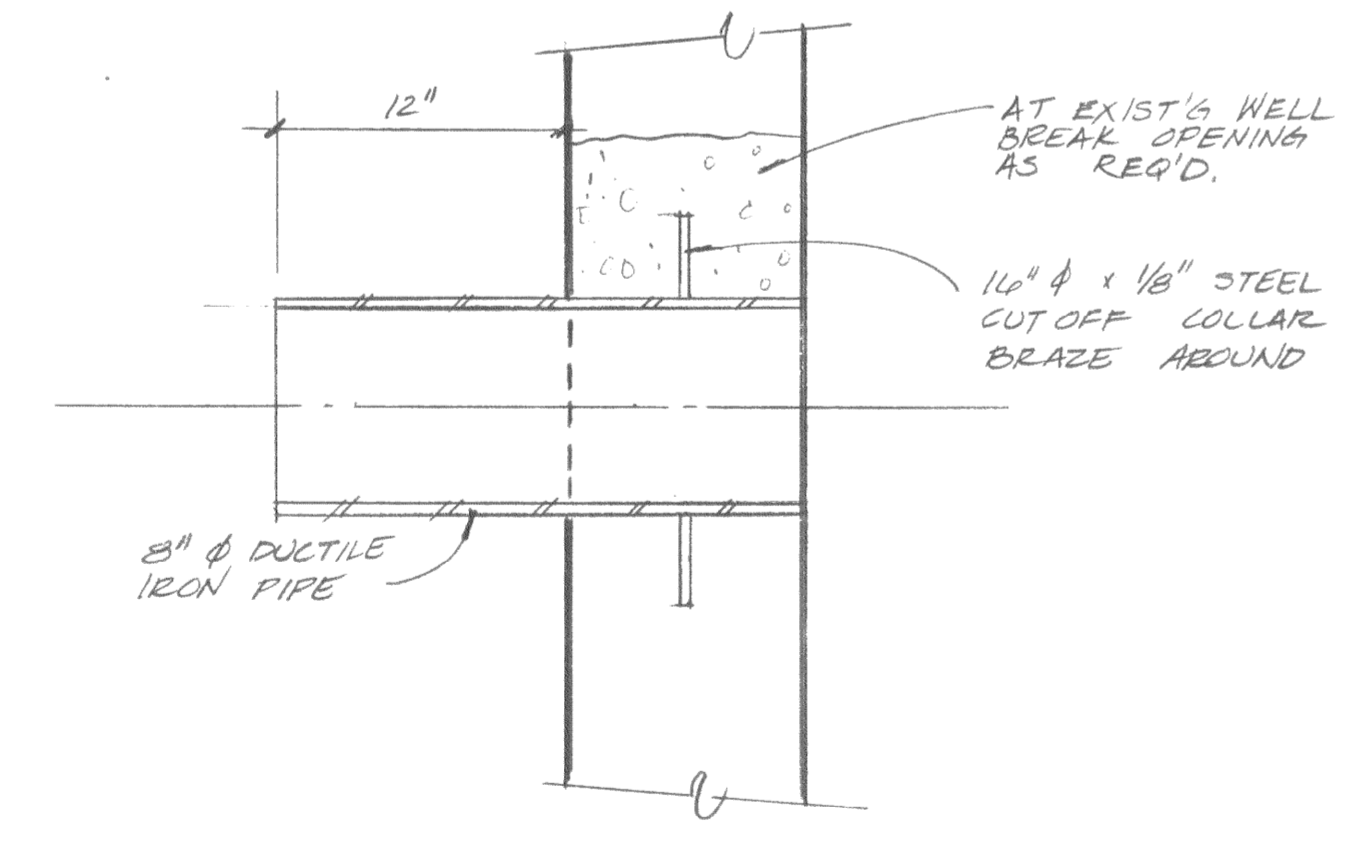
(F) GATE OPERATING OPENING
1/2" = 1'-0"



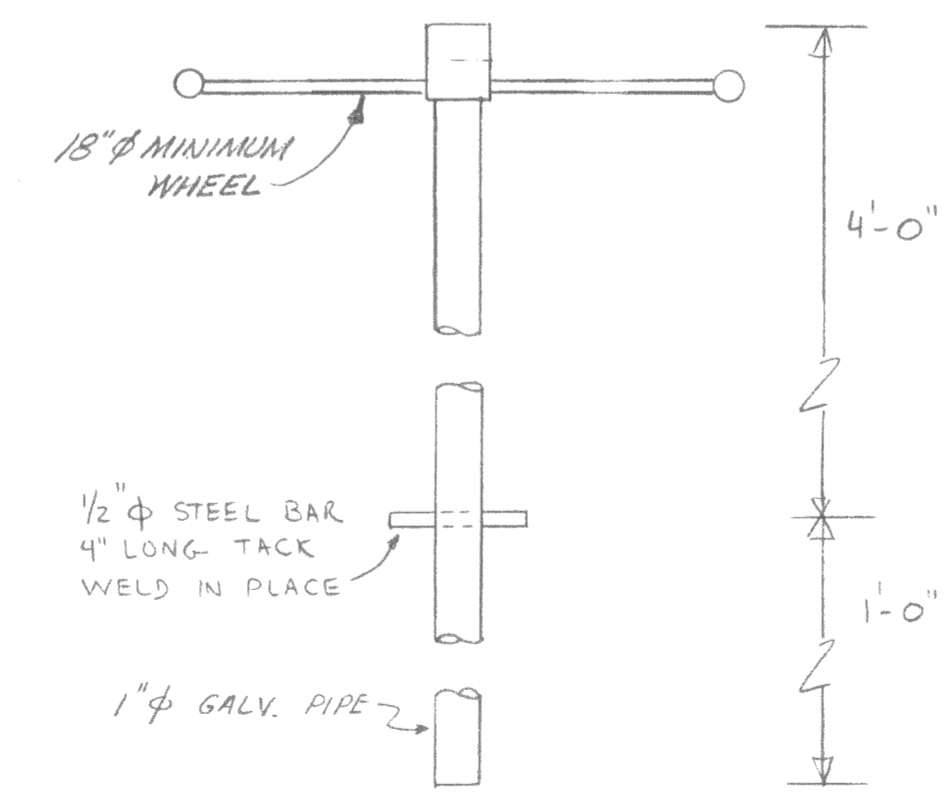
(G) GATE OPERATING OPENING
1/2" = 1'-0"



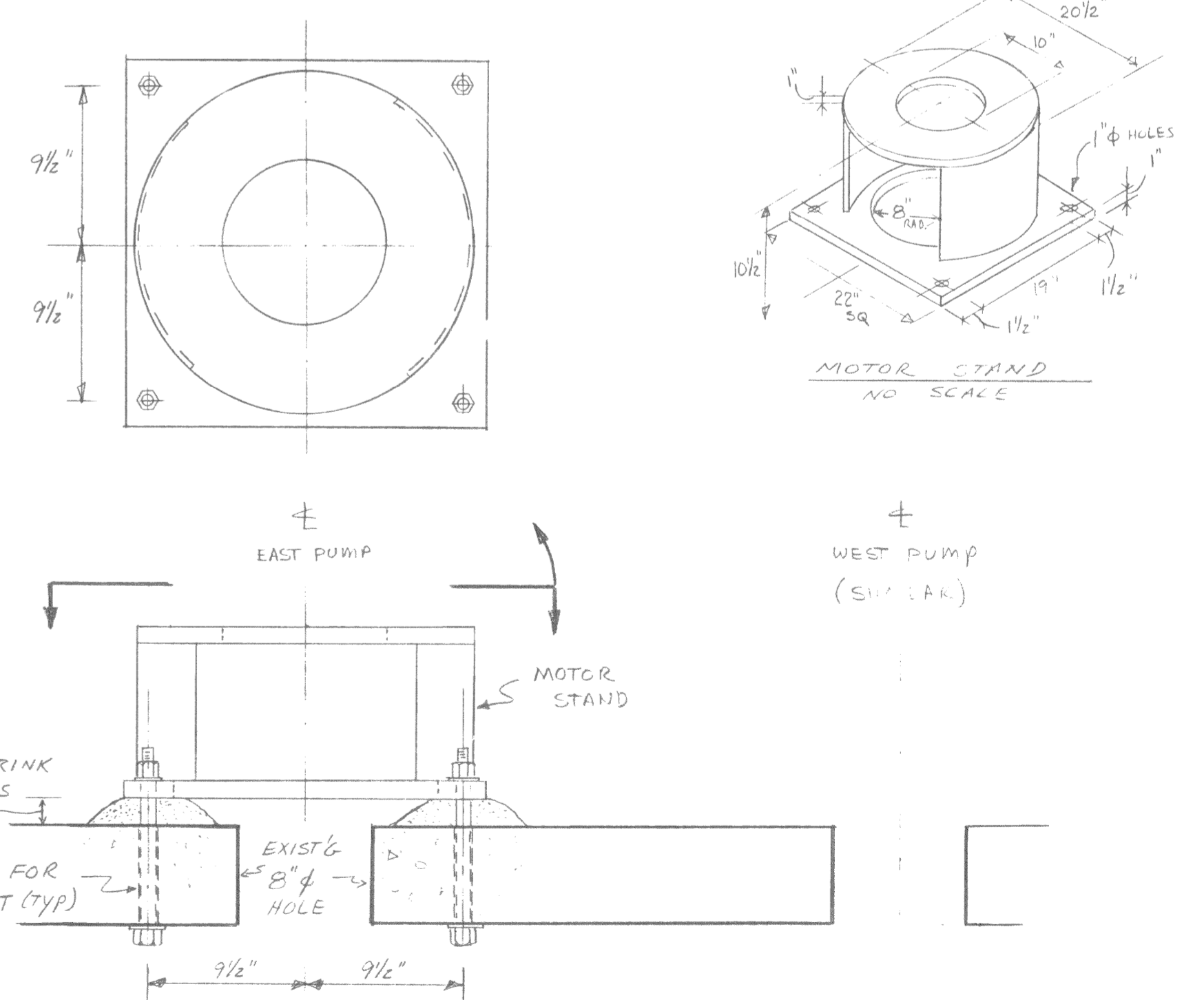
(L) CANAL GATE SECTION
1/2" = 1'-0"



(M) WET WELL INLETS
1/2" = 1'-0"



(N) GATE OPERATING WHEEL
ONE REQUIRED 3" = 1'-0"



(P) MOTOR MOUNT DETAIL
1/2" = 1'-0"

COOK ASSOCIATES
 ENGINEERING CONSULTANTS
 2050 PARK AVENUE, OROVILLE, CALIFORNIA 95965
 CITY OF OROVILLE
 OLIVE GLEN LIFT STATION
 MISCELLANEOUS DETAILS



REVISION	DATE

DRAWN: JULEY 5/1
 DATE: JULY 5/1
 APPROVED: AUG 8/1
 DATE: AUG 8/1
 FILE NO: A-450
 SHEET NO: 6
 OF 11 SHEETS
 JOB NO: 80405