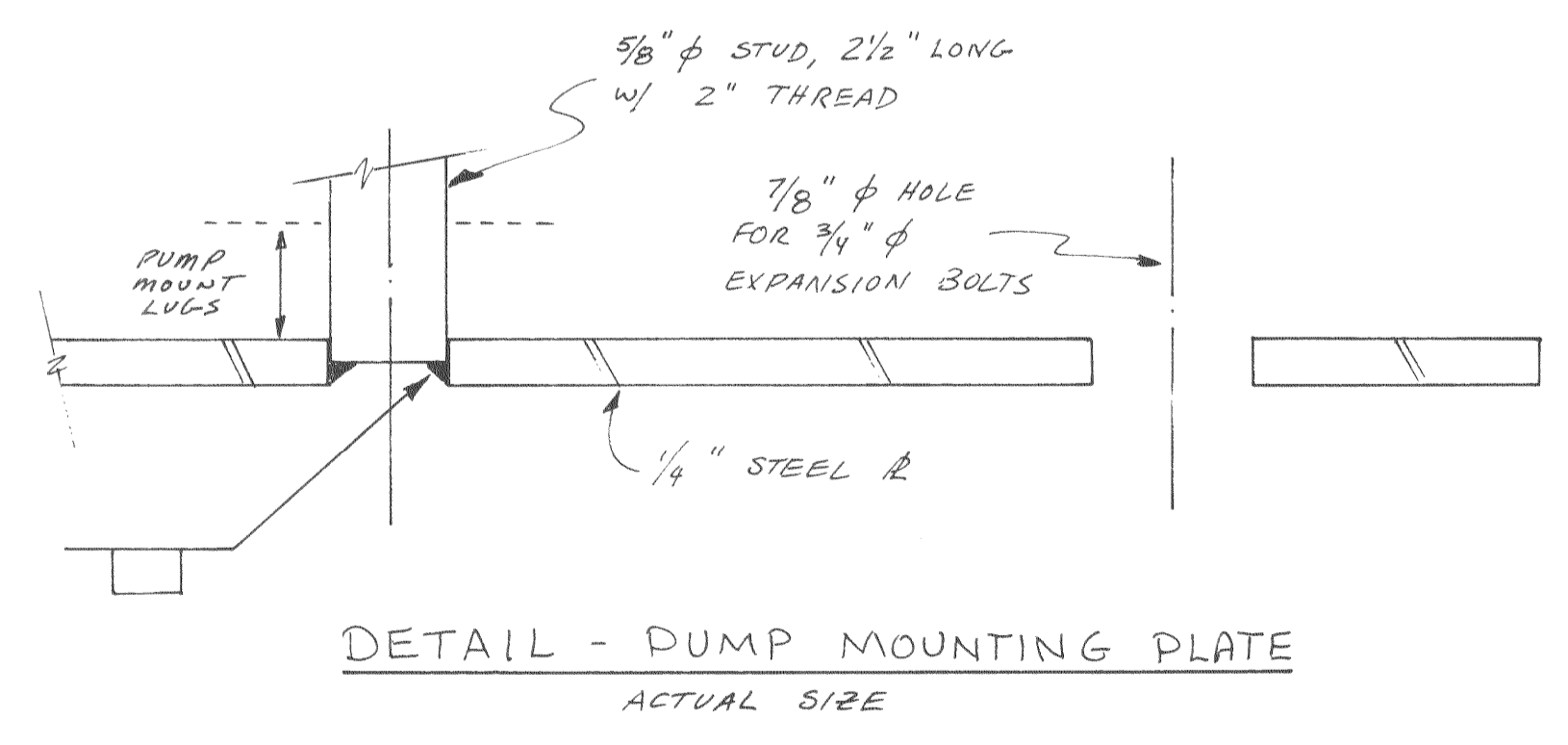


NOTE:
OFFSET PUMPS EQUALLY ALONG E-W LINE AS REQ'D TO PREVENT INTERFERENCE IN THIS AREA



Tom K 11/25/81
JCK 11/25/81