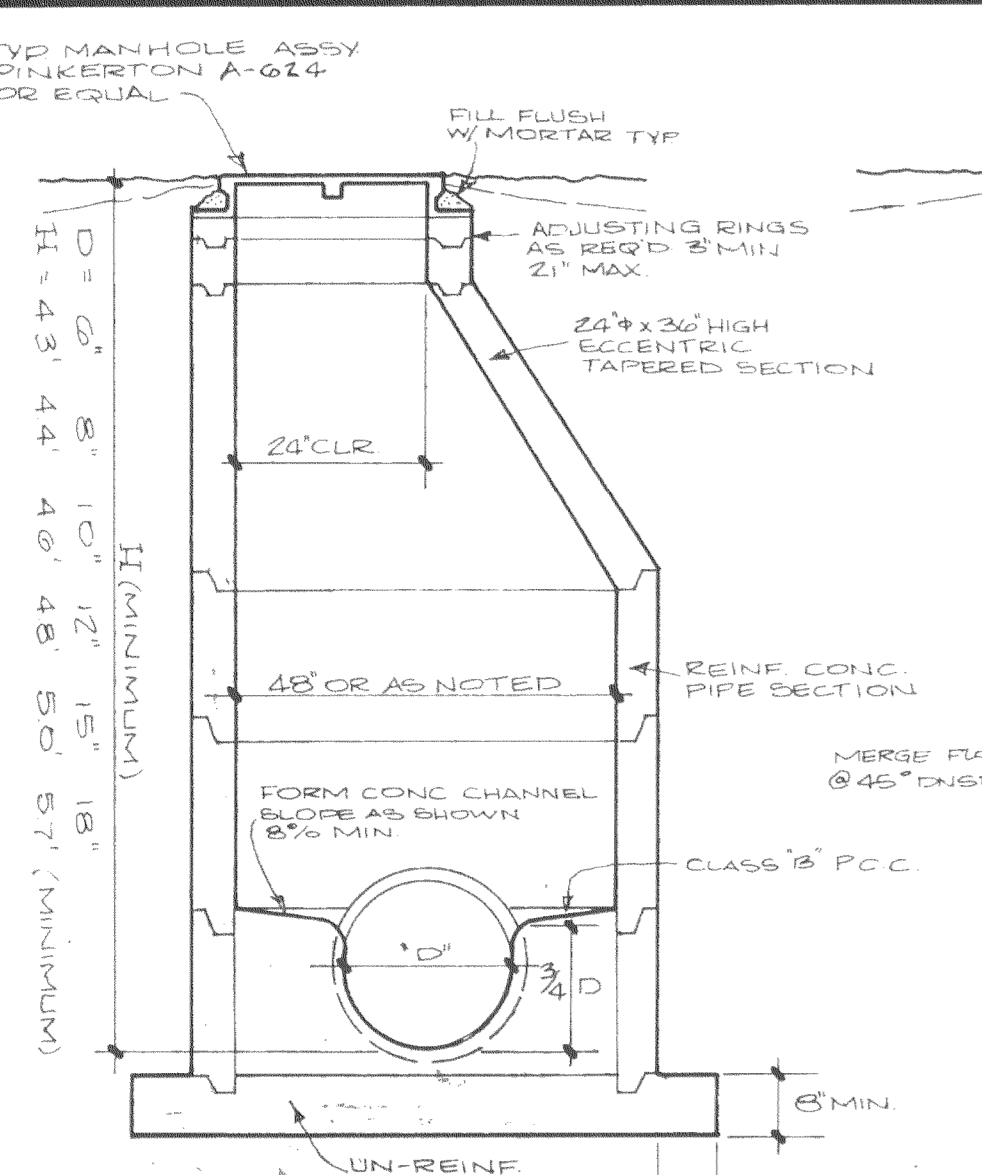
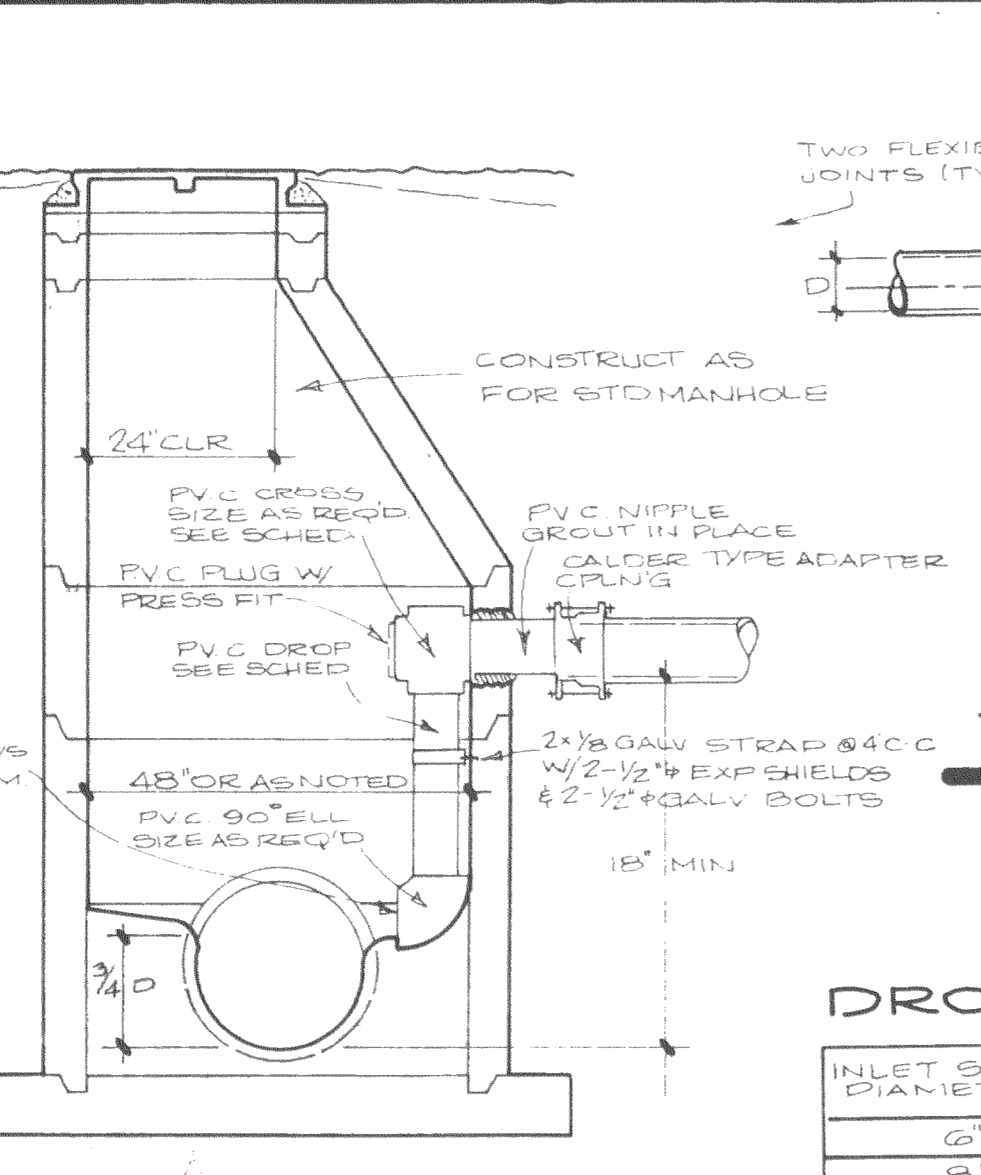


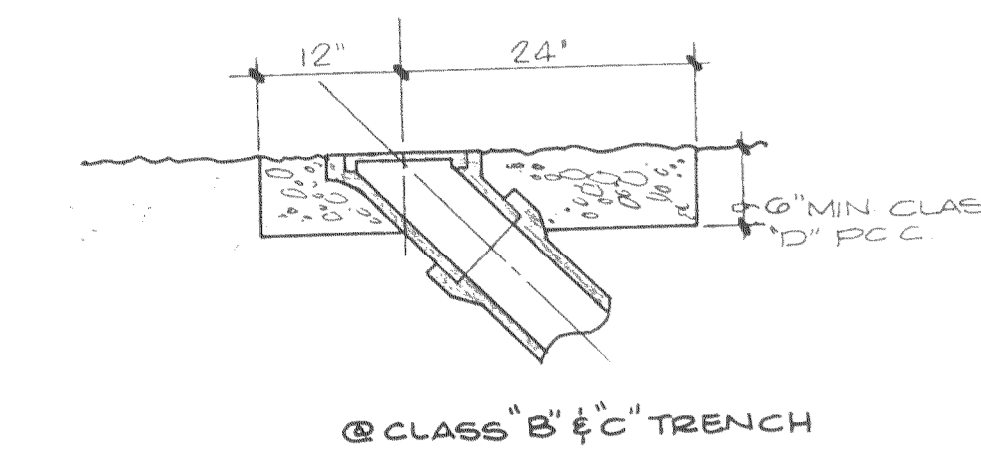
SHALLOW MANHOLE



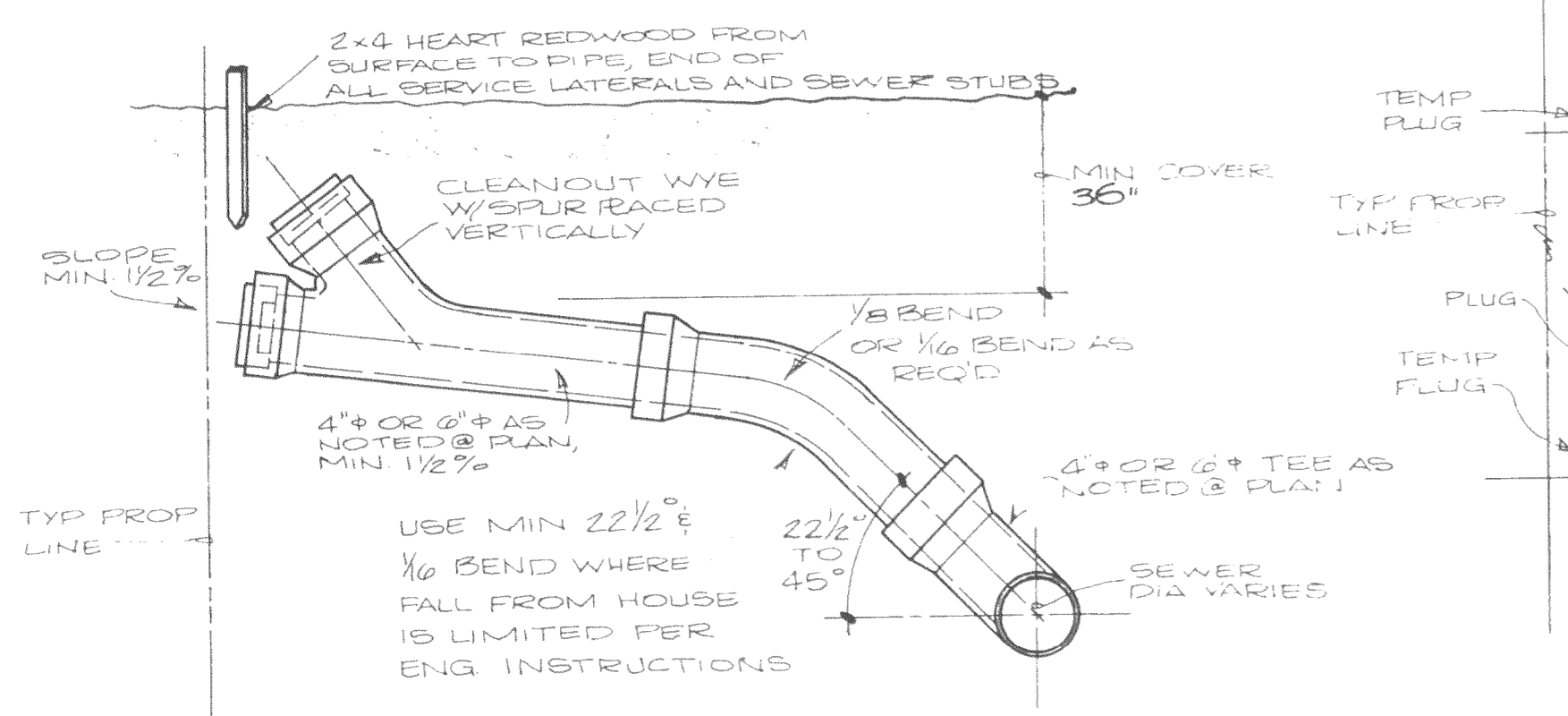
STANDARD MANHOLE



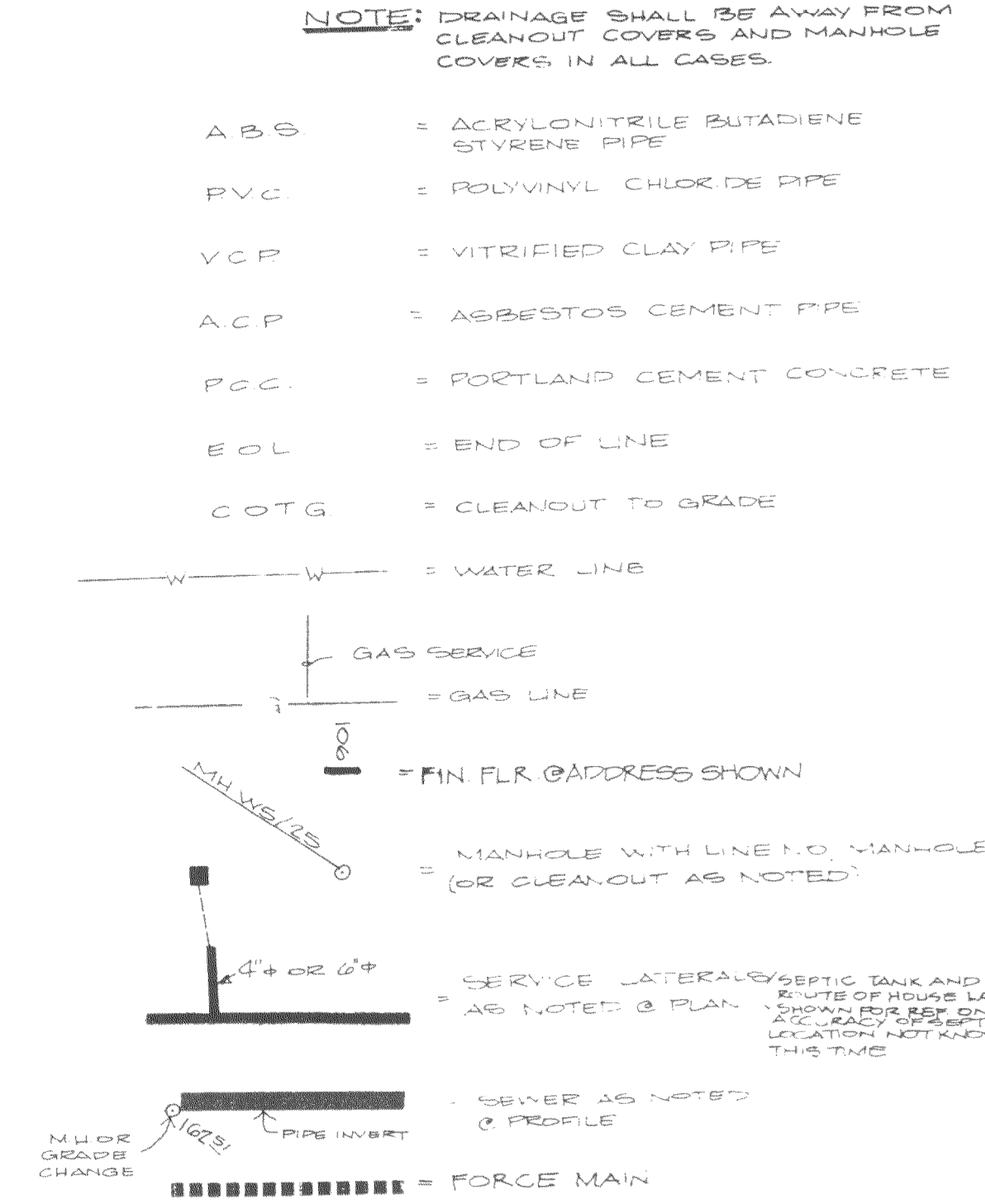
DROP MANHOLE



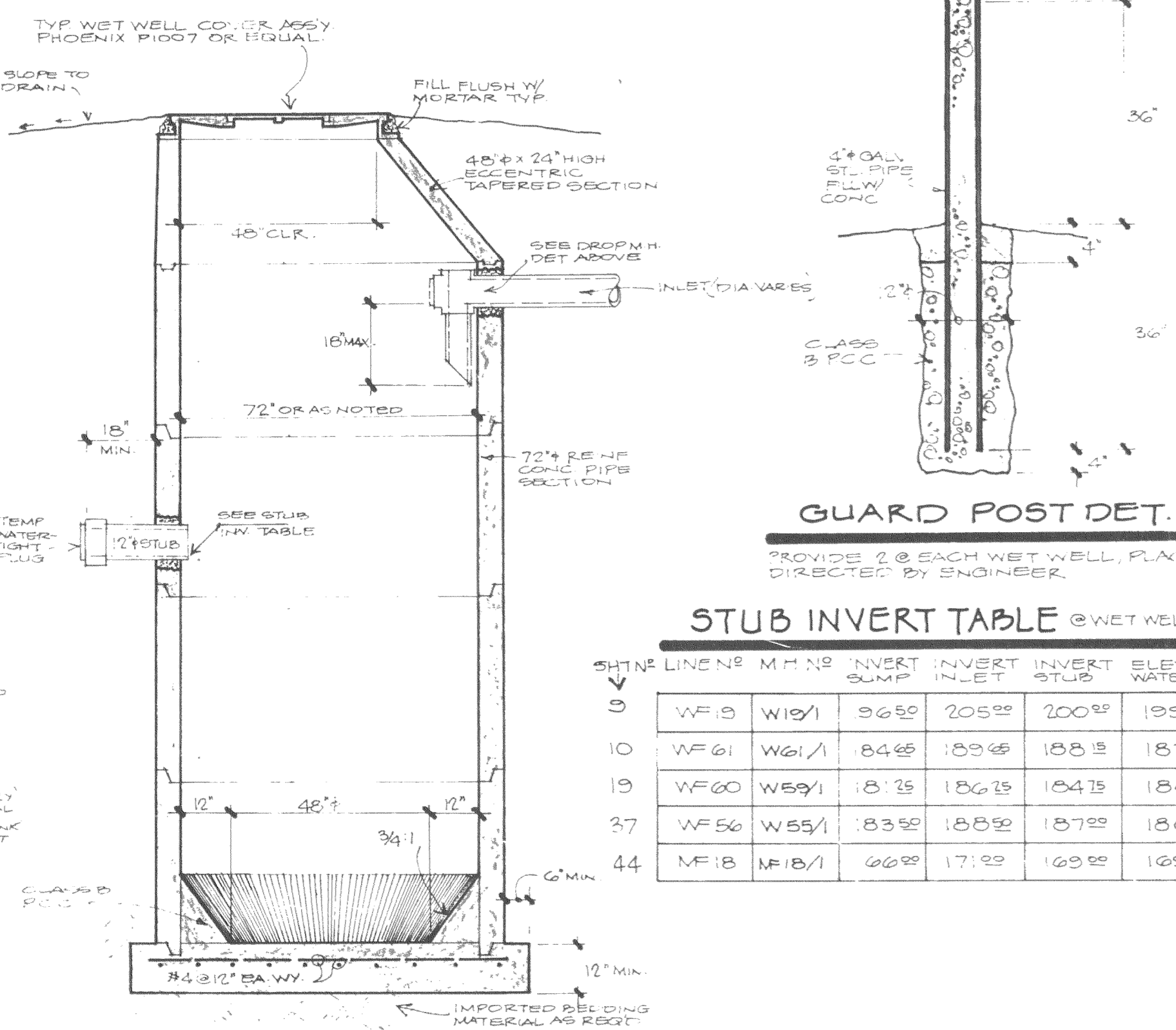
TYPICAL CLEANOUT



TYPICAL SERVICE LATERAL



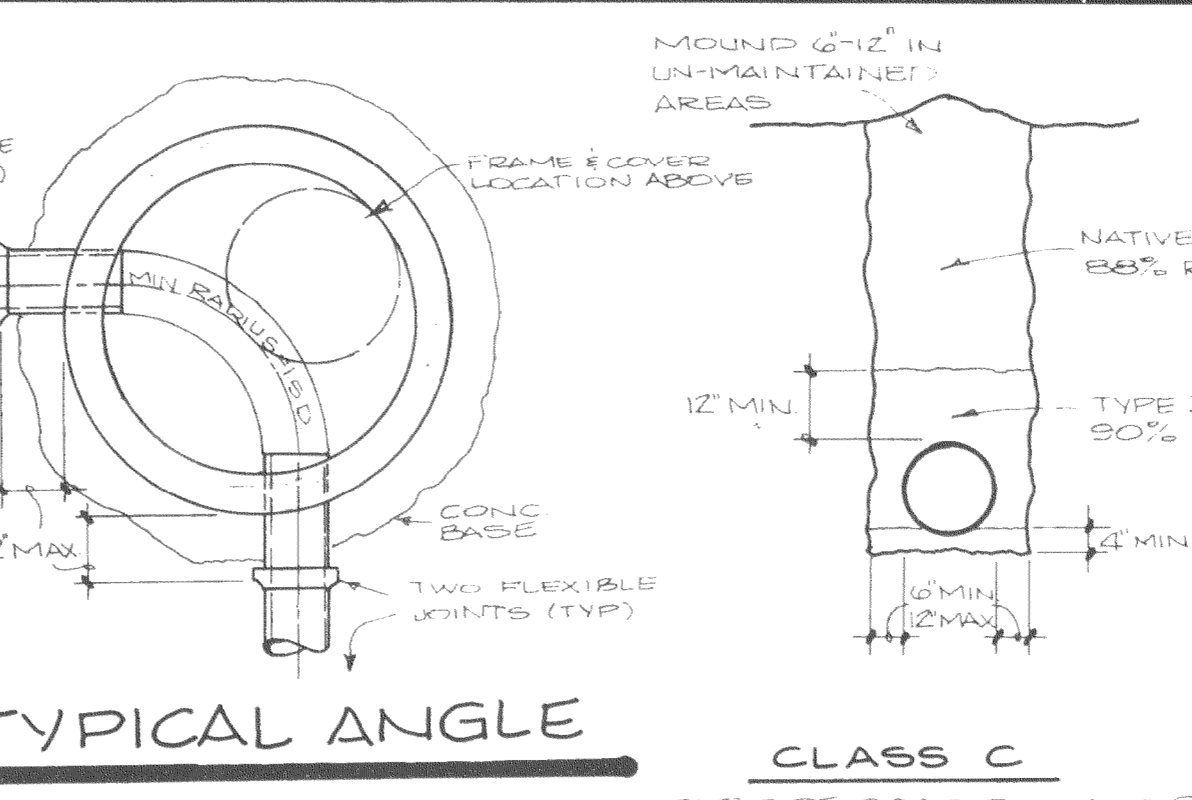
LEGEND



WET WELL DETAIL (SUMP BASIN)

STUB INVERT TABLE @ WET WELL

SHINE LINE NO.	M.M. NO.	INVERT	INVERT	INVERT	ELEV. HI.	
		SUMP	INLET	STUB	WATER	
5	WF18	W19/1	86.55	205.55	200.55	199.55
10	WF61	W61/1	84.65	189.65	185.15	187.05
19	WF60	W59/1	83.75	186.75	184.75	184.75
37	WF56	W55/1	83.55	185.55	187.55	186.55
44	MF18	MF18/1	66.95	171.95	169.95	169.95

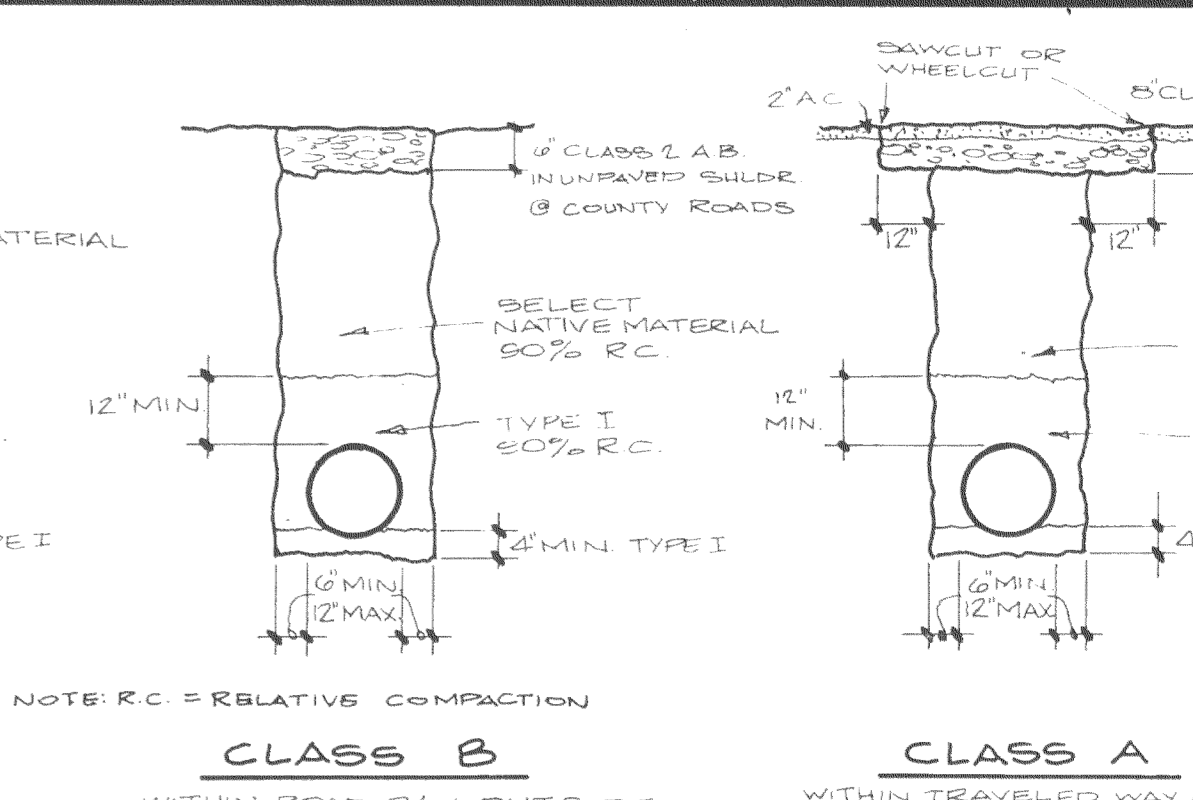


TYPICAL ANGLE

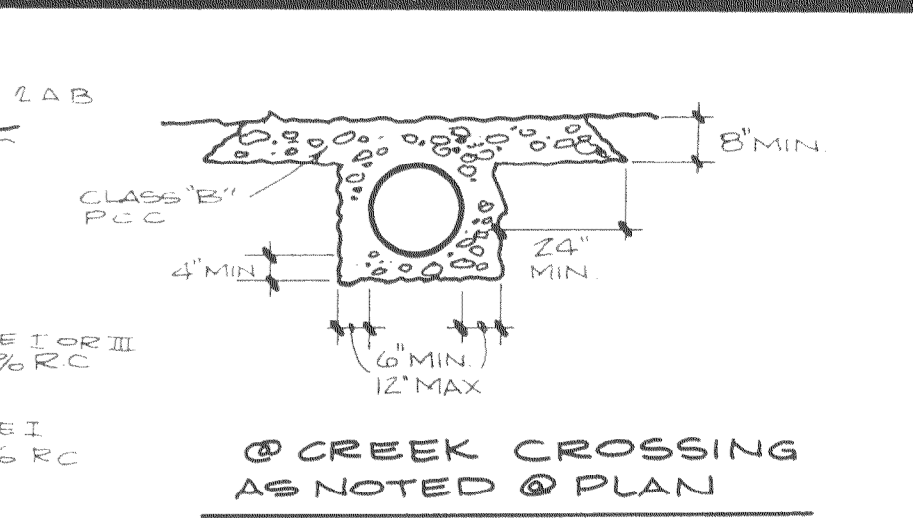
DROP SCHEDULE

INLET SEWER DIAMETER	PVC NIPPLE DIAMETER	CROSS SIZE	DROP DIAMETER	90° ELL DIAMETER
6"	6"	6x6x6x6	6"	6"
8"	8"	8x8x8x8	8"	8"
10"	10"	10x10x10x10	10"	10"
12"	12"	12x12x12x12	12"	12"

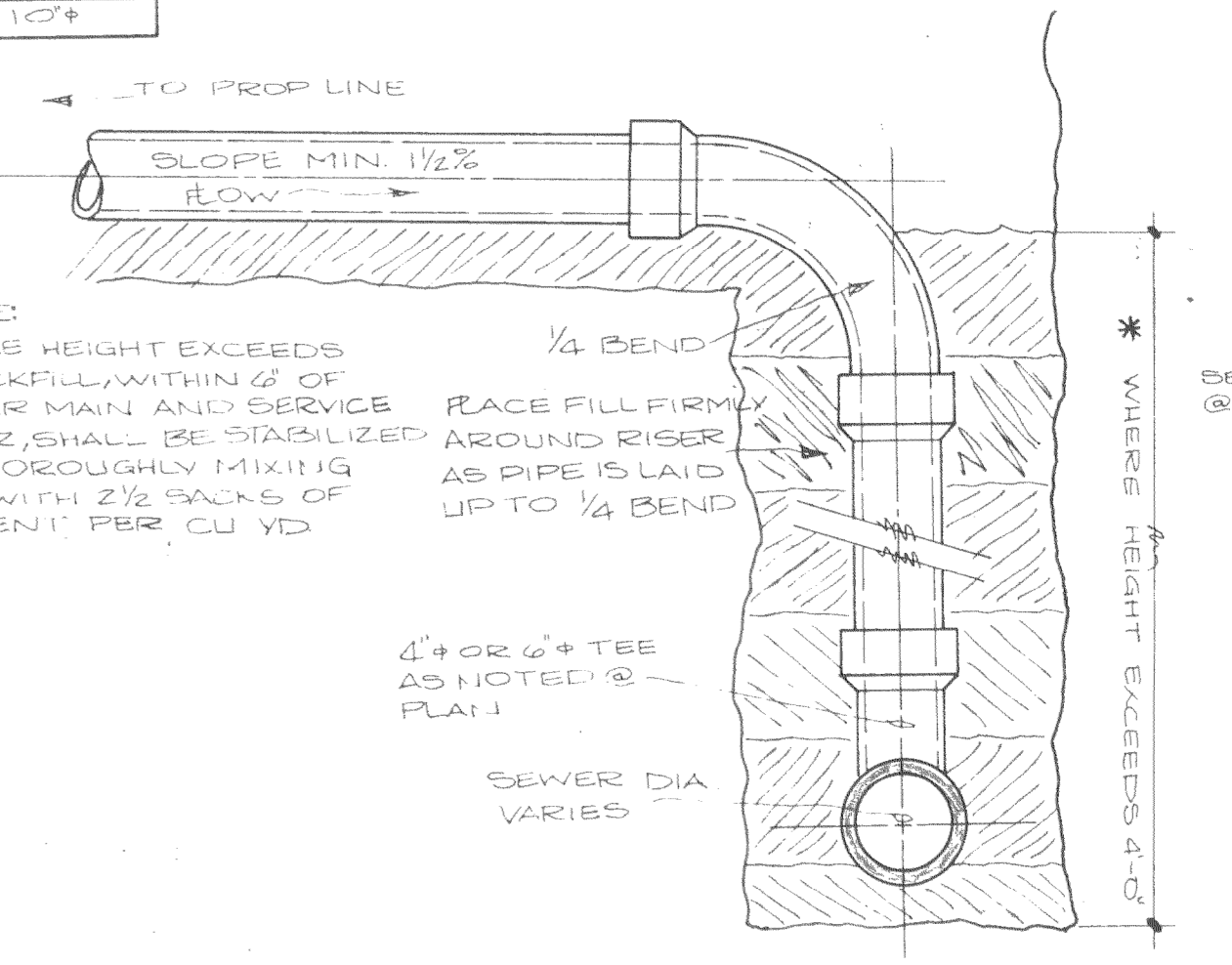
DROP SCHEDULE



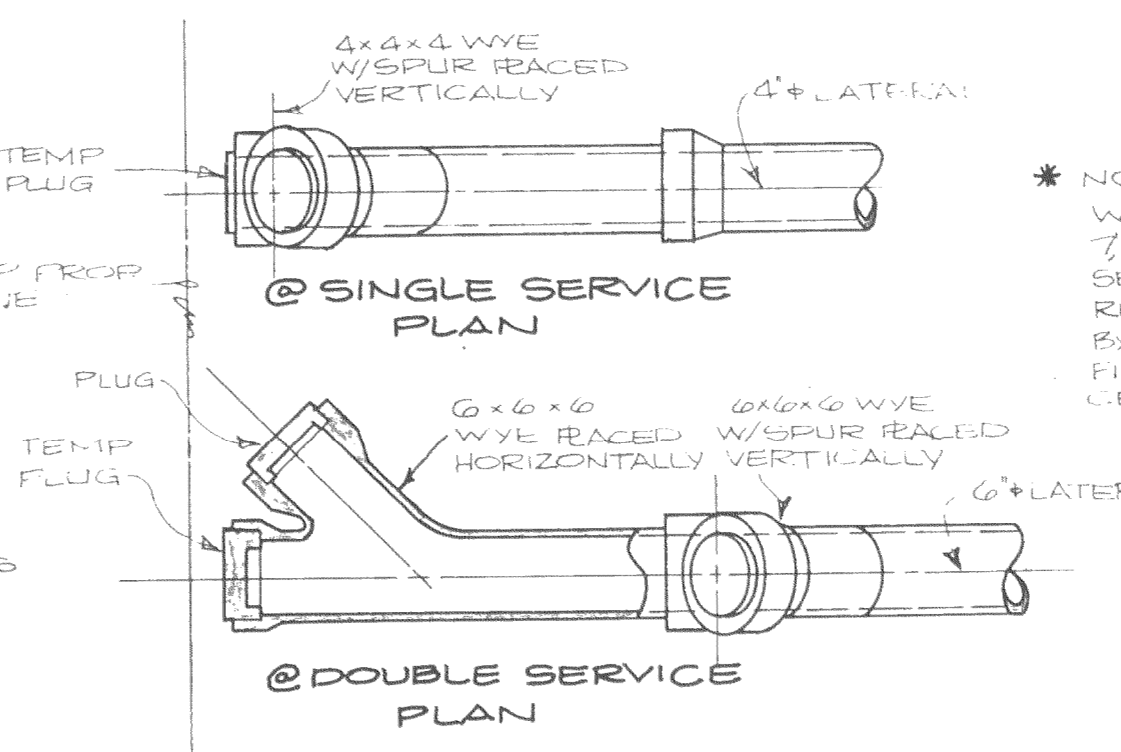
TYPICAL TRENCH SECTIONS @ TRUNKS & COLLECTORS



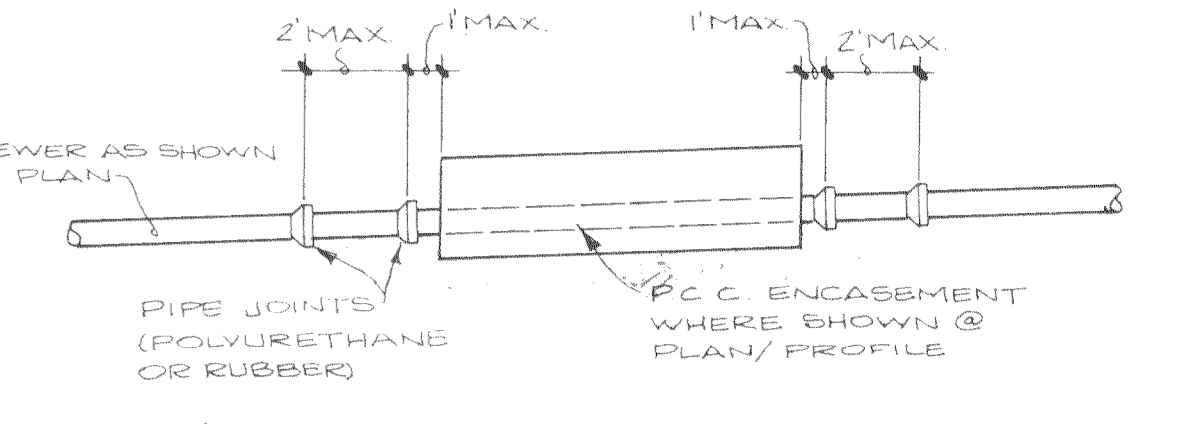
CREEK CROSSING AS NOTED @ PLAN



SEWER CONNECTION @ MANHOLES



@ DOUBLE SERVICE PLAN

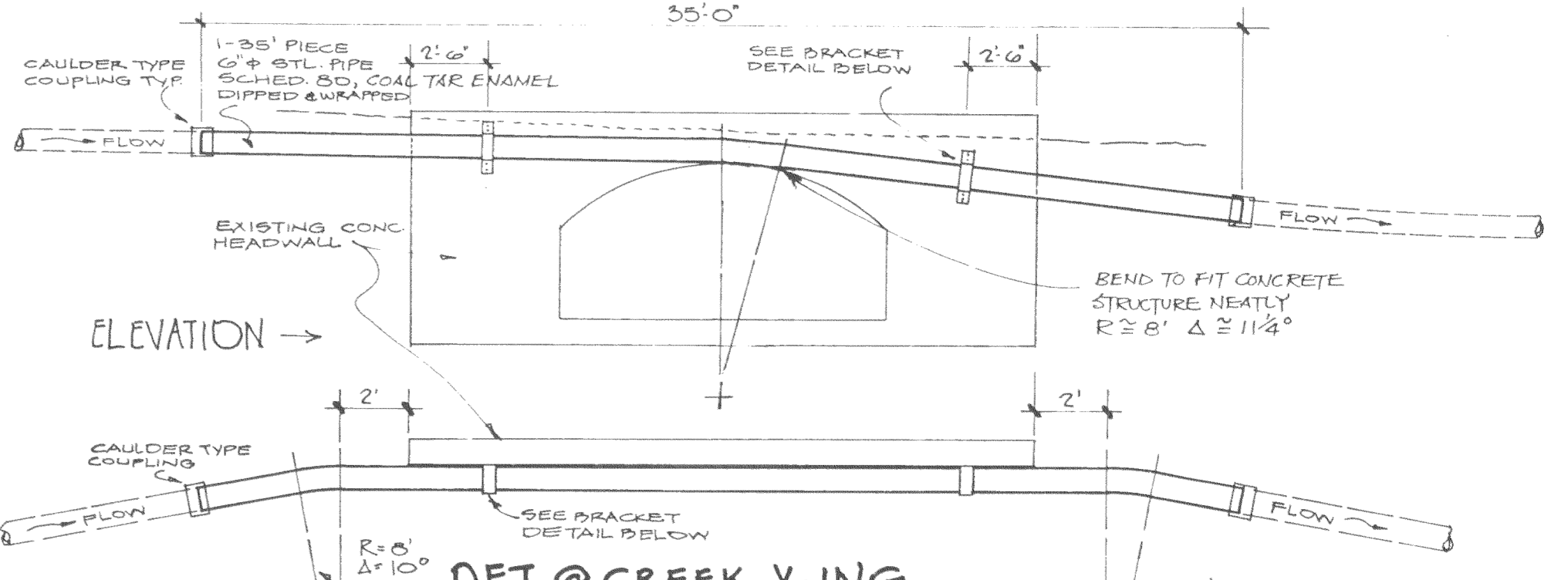


SEWER CONNECTION @ CONCRETE ENCASEMENTS OR STRUCTURES

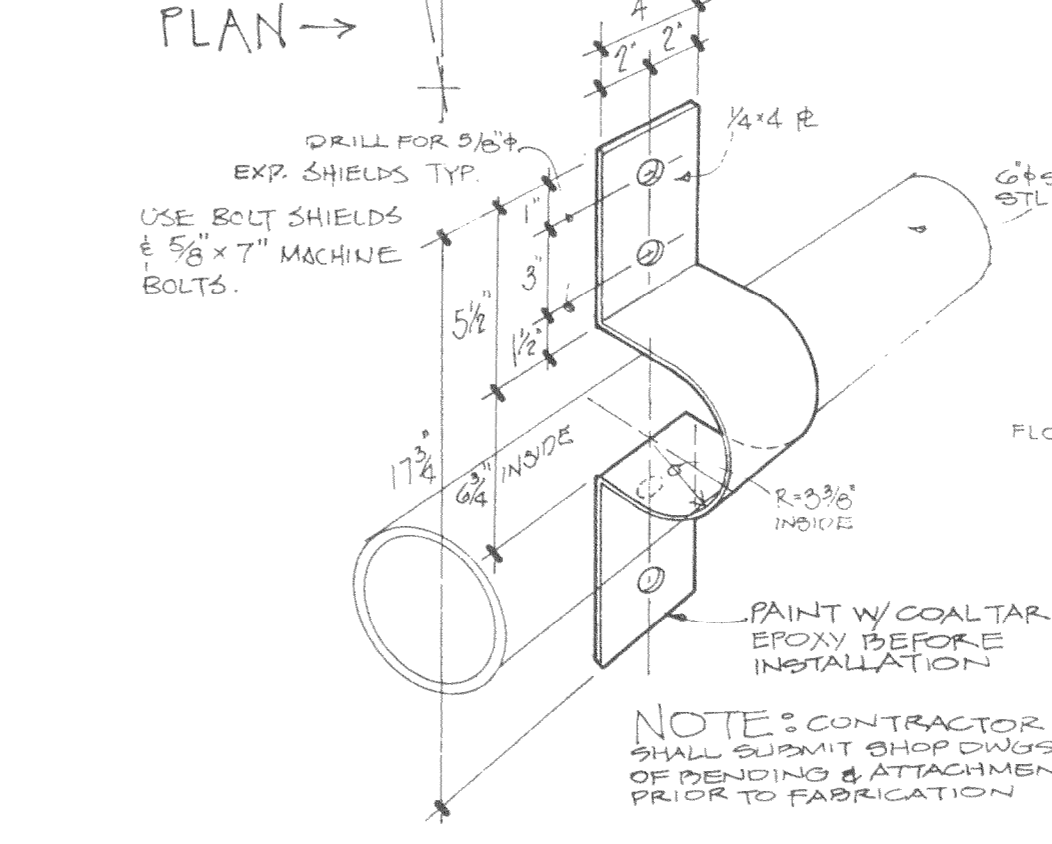
BEDDING & BACKFILL GRADATION

SCREEN SIZE	TYPE I	TYPE II	TYPE III
3"	100	75	50
5"	100	75	50
7"	100	75	50
9"	100	75	50
11"	100	75	50
13"	100	75	50
15"	100	75	50
17"	100	75	50
19"	100	75	50
21"	100	75	50
23"	100	75	50
25"	100	75	50

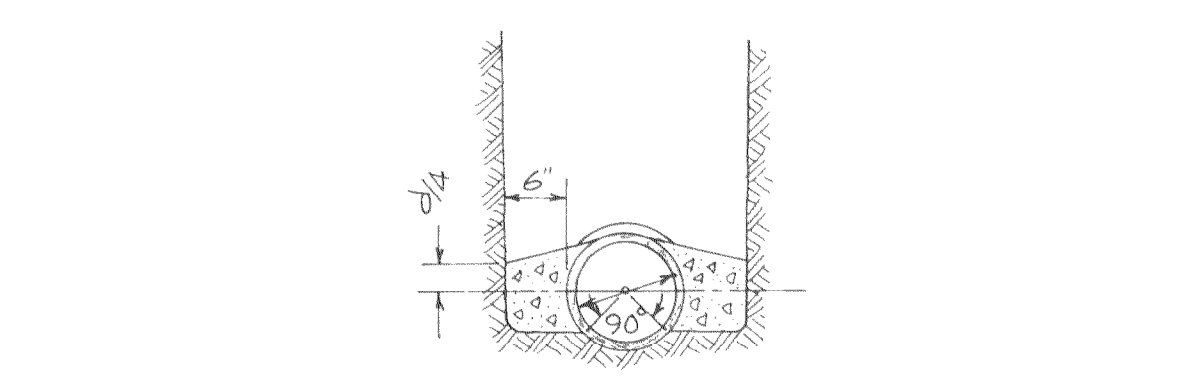
BEDDING & BACKFILL GRADATION



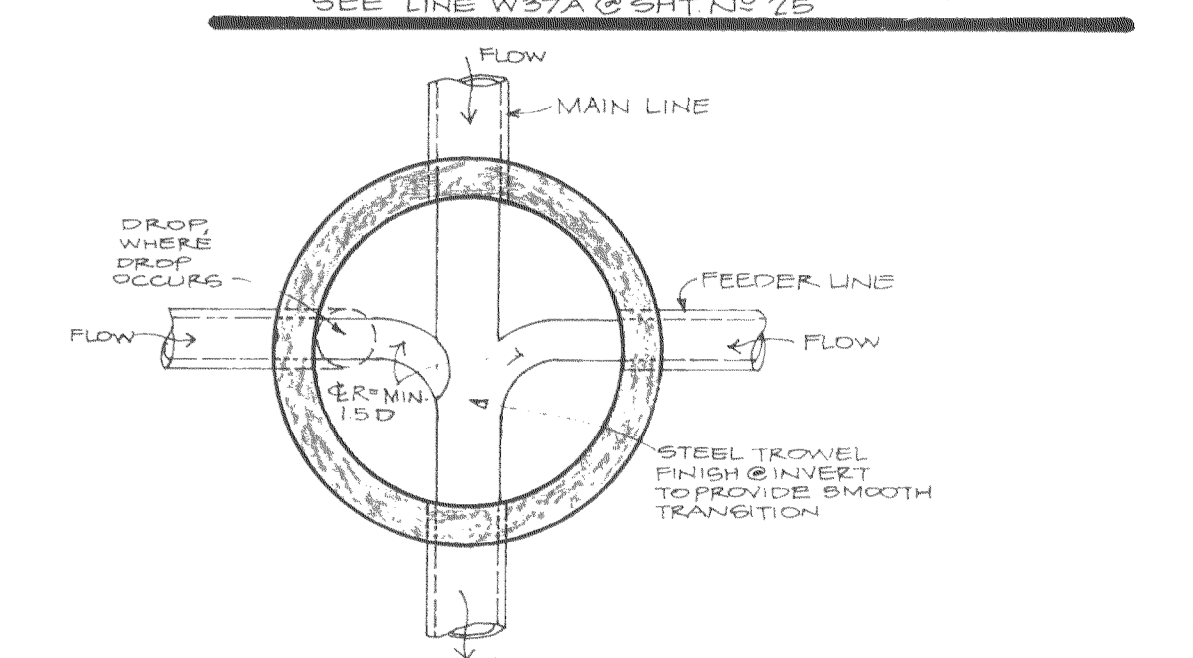
BRACKET DETAIL



INVERT DROP ACROSS M.H. WHERE INLET INVERT IS HIGHER THAN OUTLET INVERT



CONCRETE GRADE FOR MINIMUM COVER CONDITIONS IN TRAVELED WAY



INTERSECTING @ MANHOLES

RINGEL & ASSOCIATES INC.

DESIGN: ENVS DATE: 2-74

DRAWN: DIANE

CHECKED:

APPROVED:

THERMALITO IRRIGATION DISTRICT

SANITARY SEWER SYSTEM

COUNTY SERVICE AREA 26

CONSTRUCTION DETAILS

SHEET NO. 2

OF SHEETS

PROJECT NO.