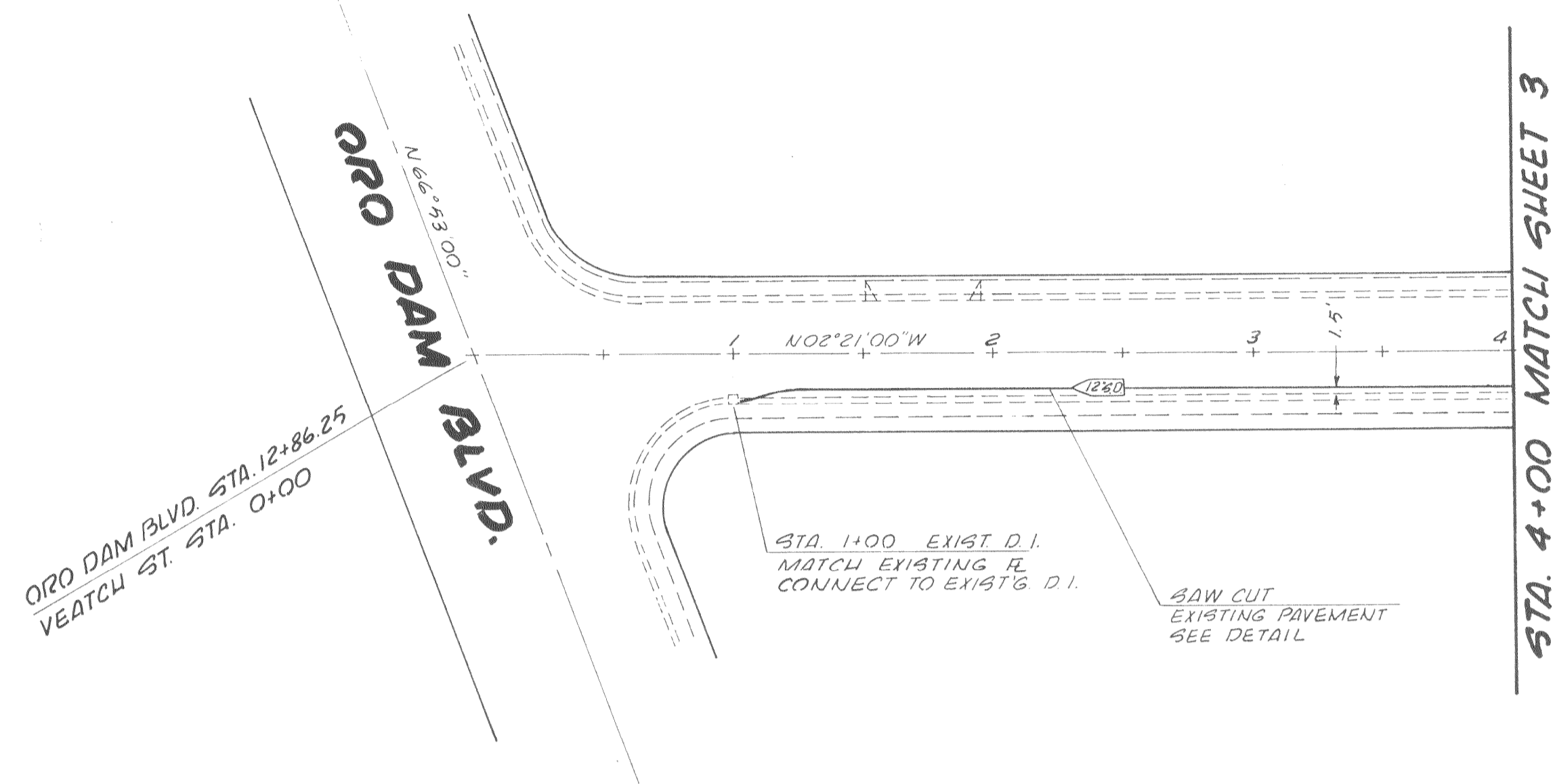
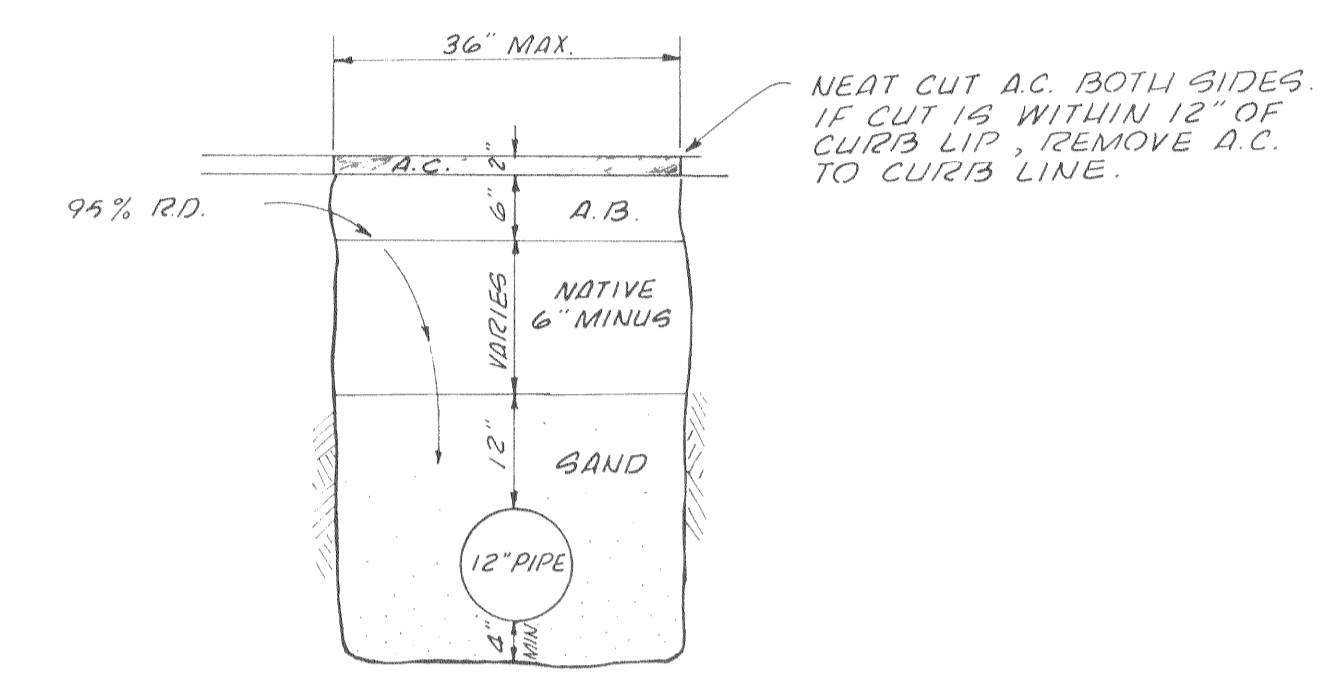


SCALE: 1" = 50'



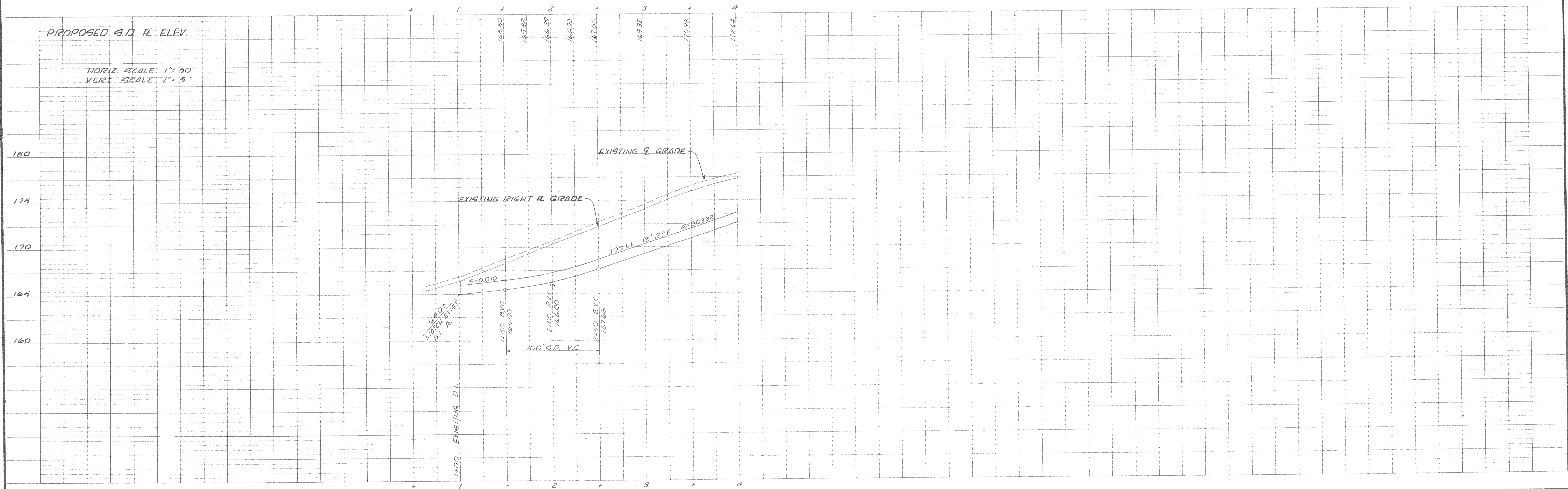
NOTE: ALL STORM DRAINAGE CONCRETE PIPE TO BE MINIMUM OF CLASS 3. IF COVER IS LESS THAN 2', USE CLASS 4.



TYPICAL STORM DRAIN TRENCH DETAIL

STA. 1+00 TO 3+50 & STA. 17+72 TO 21+44

VEATCH STREET



FIELD BOOK ELEVATION DATUM T. B. M. #1 ELEV 184.76 FOUND RR SPIKE 0.5' HIGH IN J.P. & S.W. COR. PINE & MITCHELL CITY OF OROVILLE DATUM			DRAWN R.A.S. DESIGNED A.G.B. CHECKED SCALE AS SHOWN				<b>G. EDDIS AND ASSOCIATES</b> ENGINEERING SURVEYING PLANNING 463 ORO DAM BLVD. 5th FL. OROVILLE, CALIF. 95965 (916) 533-2068		IMPROVEMENT PLANS FOR: <b>VEATCH STREET</b> (Sta. 1+00 TO STA. 4+00) CITY OF OROVILLE, CALIFORNIA		SHEET <b>2 OF 5</b> SHEETS JOB NO. 79-114	
DATE	NO.	REVISION	BY	APP'D	DATE	DATE	DATE	DATE	DATE	DATE	DATE	DATE