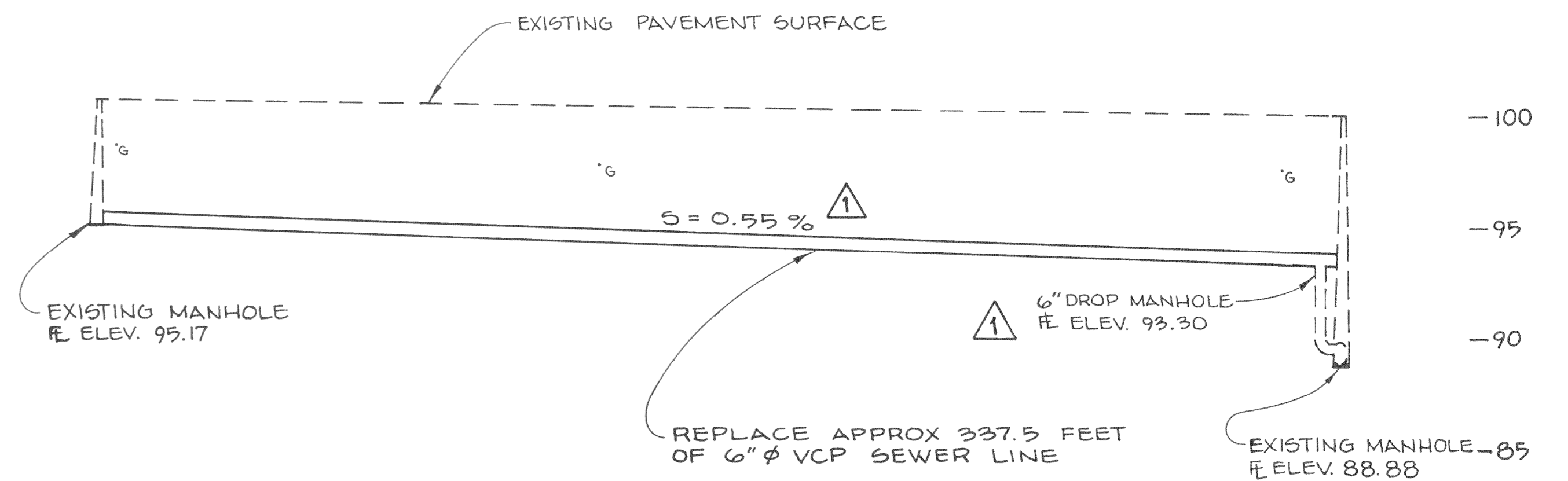
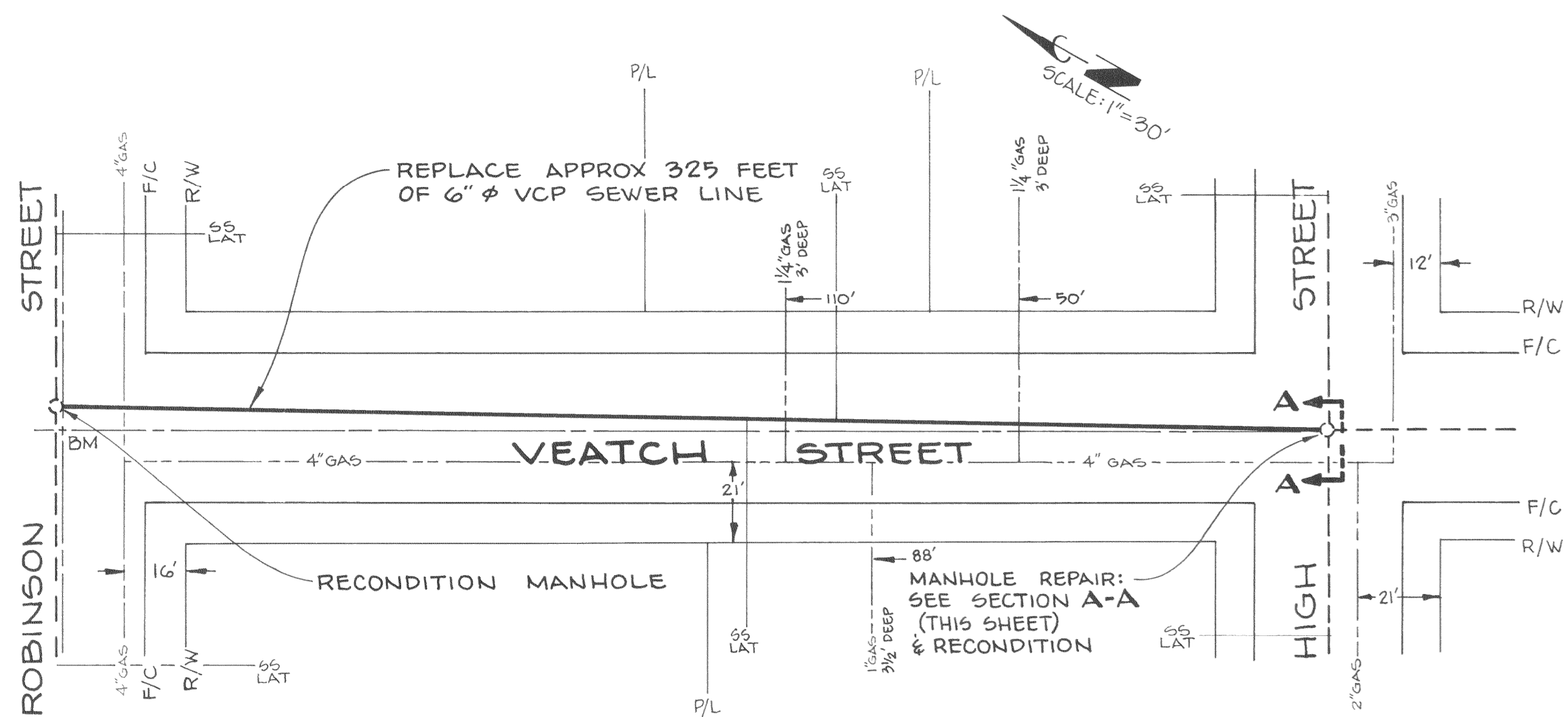


SCALE:
HORIZ. 1" = 30'
VERT. 1" = 5'

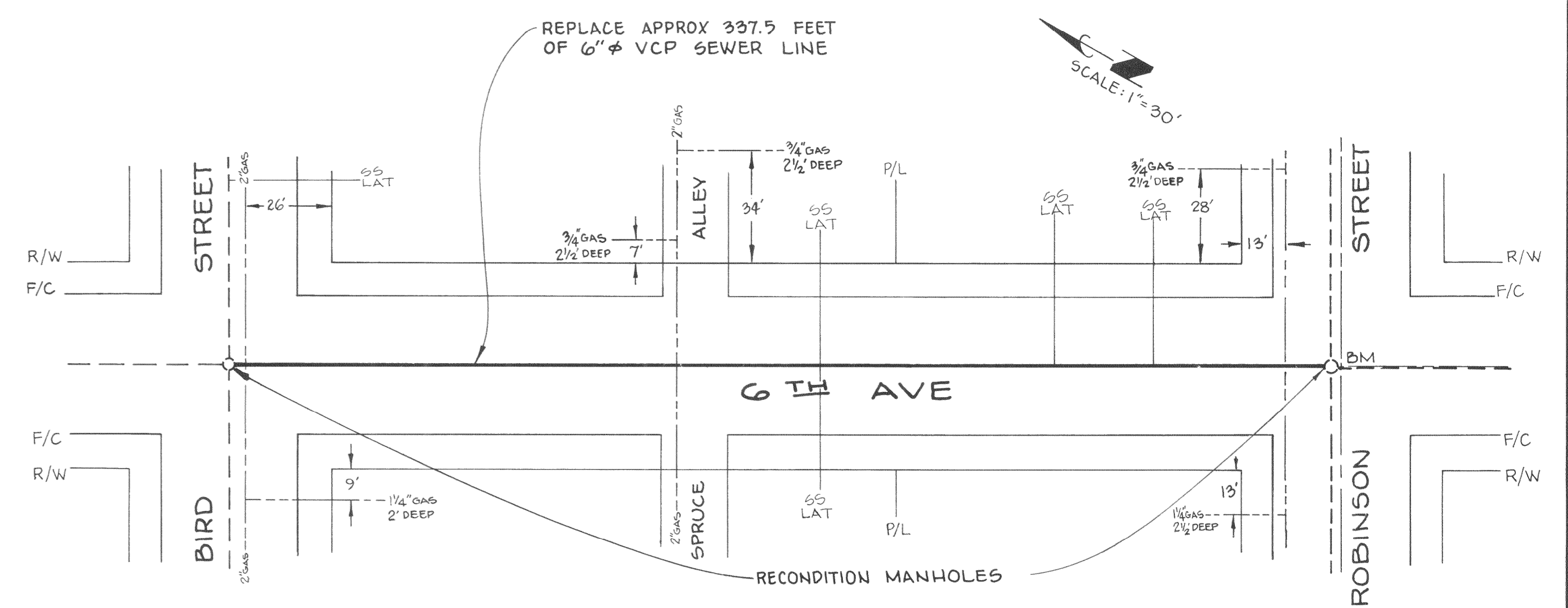


SCALE:
HORIZ. 1" = 30'
VERT. 1" = 5'

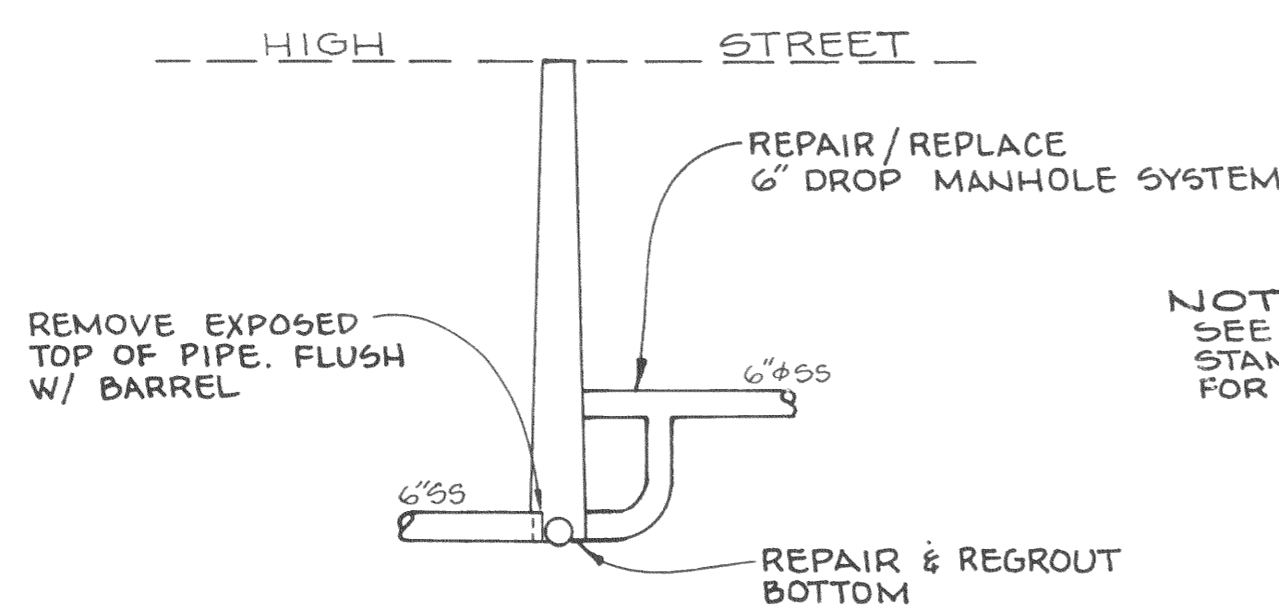
NOTE: LOCATIONS OF SANITARY SEWER
LATERALS ARE APPROXIMATE ONLY.



BM: BRASS CAP AT E/C
VEATCH ST. / ROBINSON ST.
ASSUMED ELEV. 100.00'





BM: BRASS CAP AT E/C
6TH AVE / ROBINSON ST.
ASSUMED ELEV. 100.00'



SECTION A-A
NTS

NOTE:
SEE CITY OF OROVILLE
STANDARD 55-03 FOR DROP MANHOLE
FOR SANITARY SEWER

REVISD APRIL 24, 1986

	CITY OF OROVILLE	
	SANITARY SEWER REPLACEMENT VEATCH STREET & 6TH AVENUE	
APPROVED BY 	DESIGNED BY S. McCreary	DRAWING NO. 55-308
PUBLIC WORKS DIRECTOR RCE 21762	CHECKED BY G. S. [Signature]	DRAWN BY G. S. [Signature]
DATE 10/1/86	DATE 9-17-85	SHEET 2 OF 2