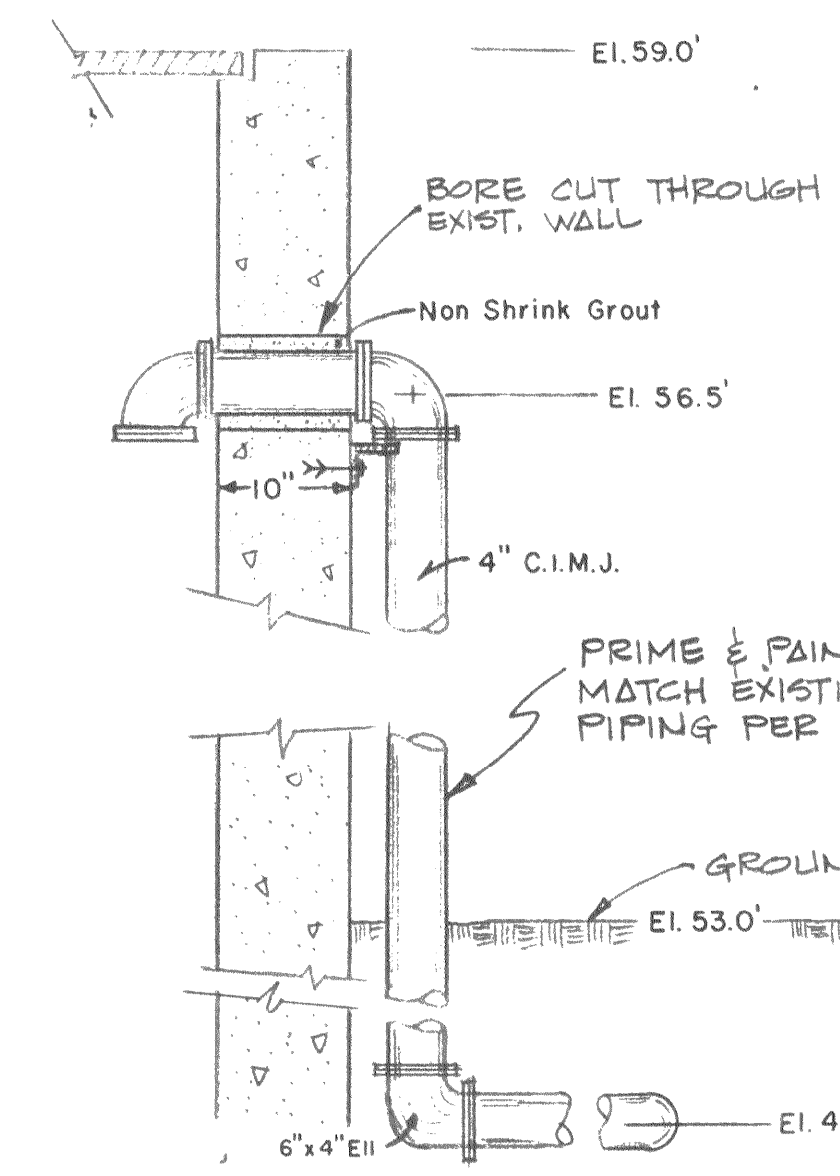
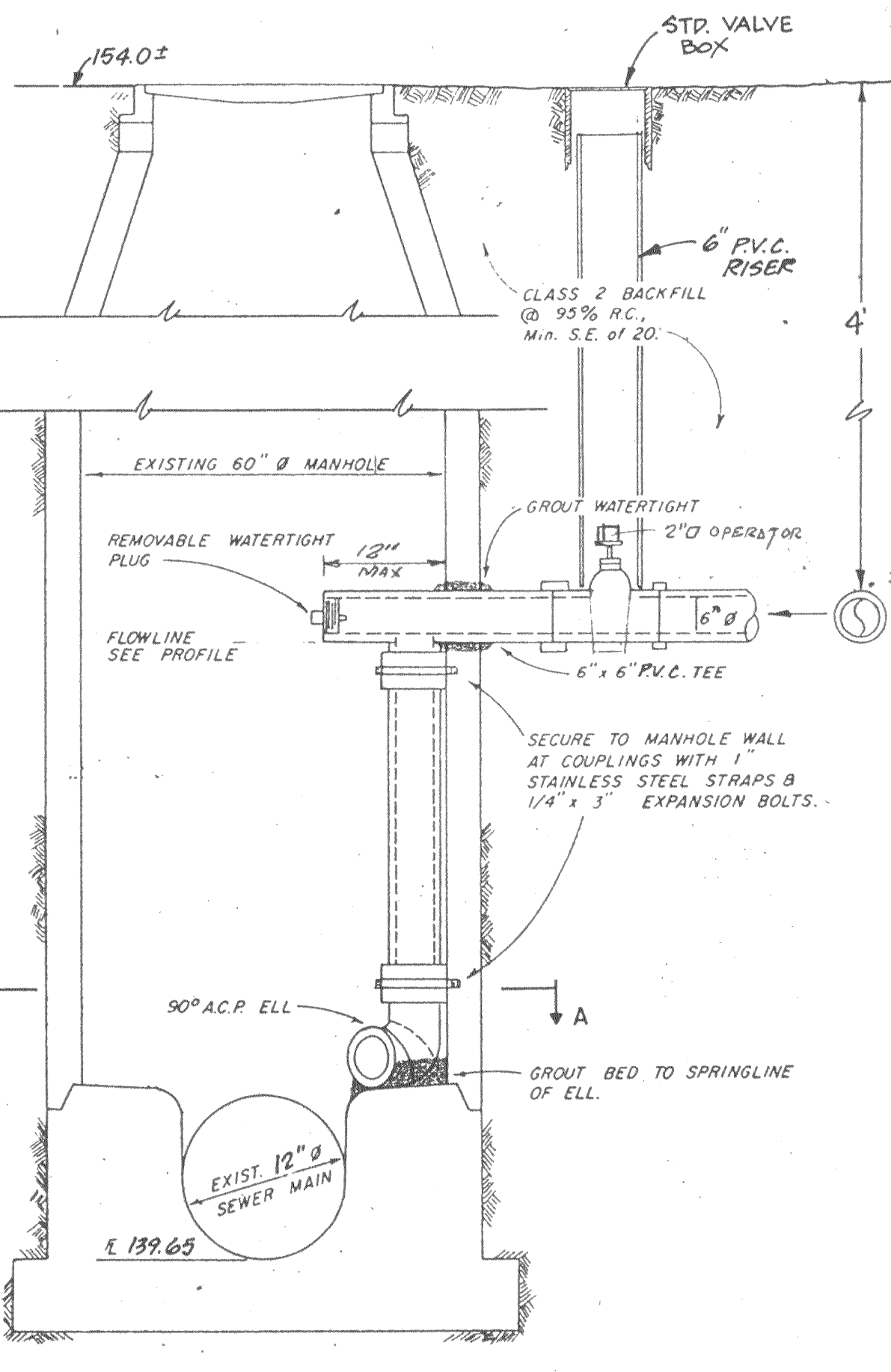
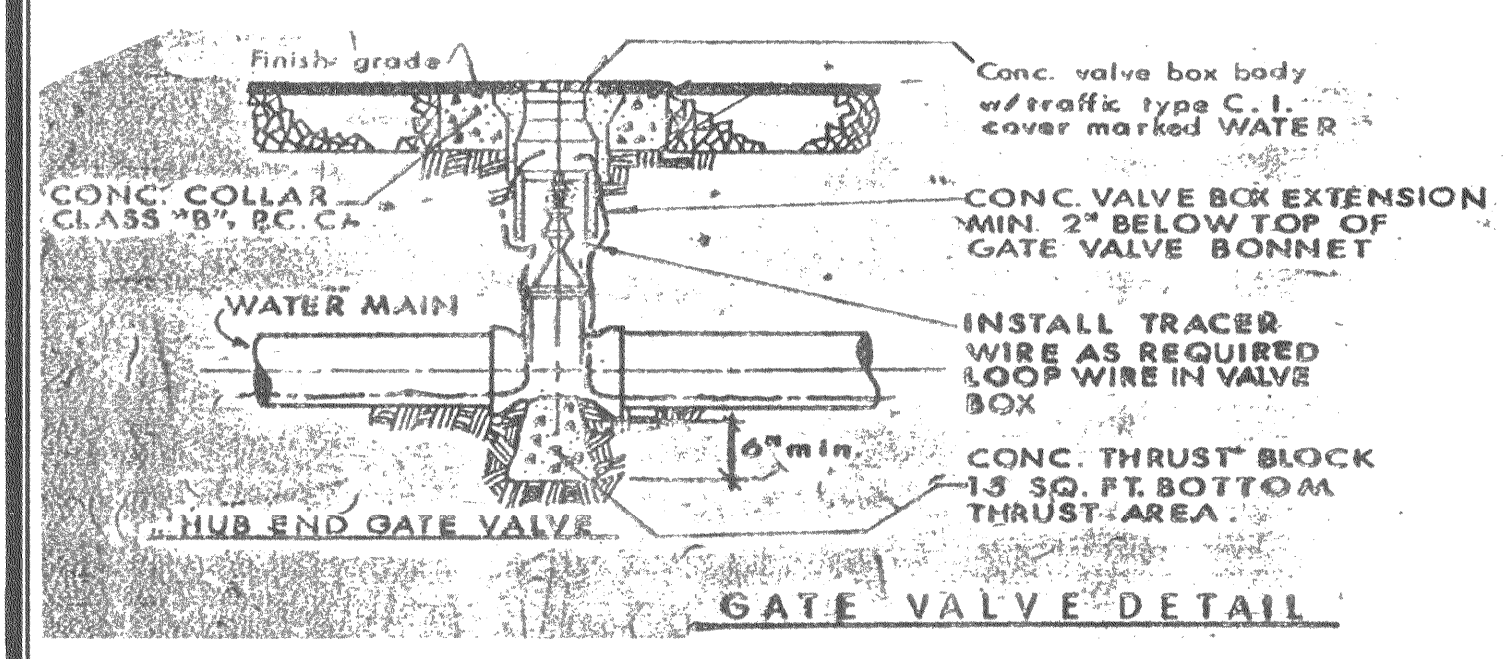


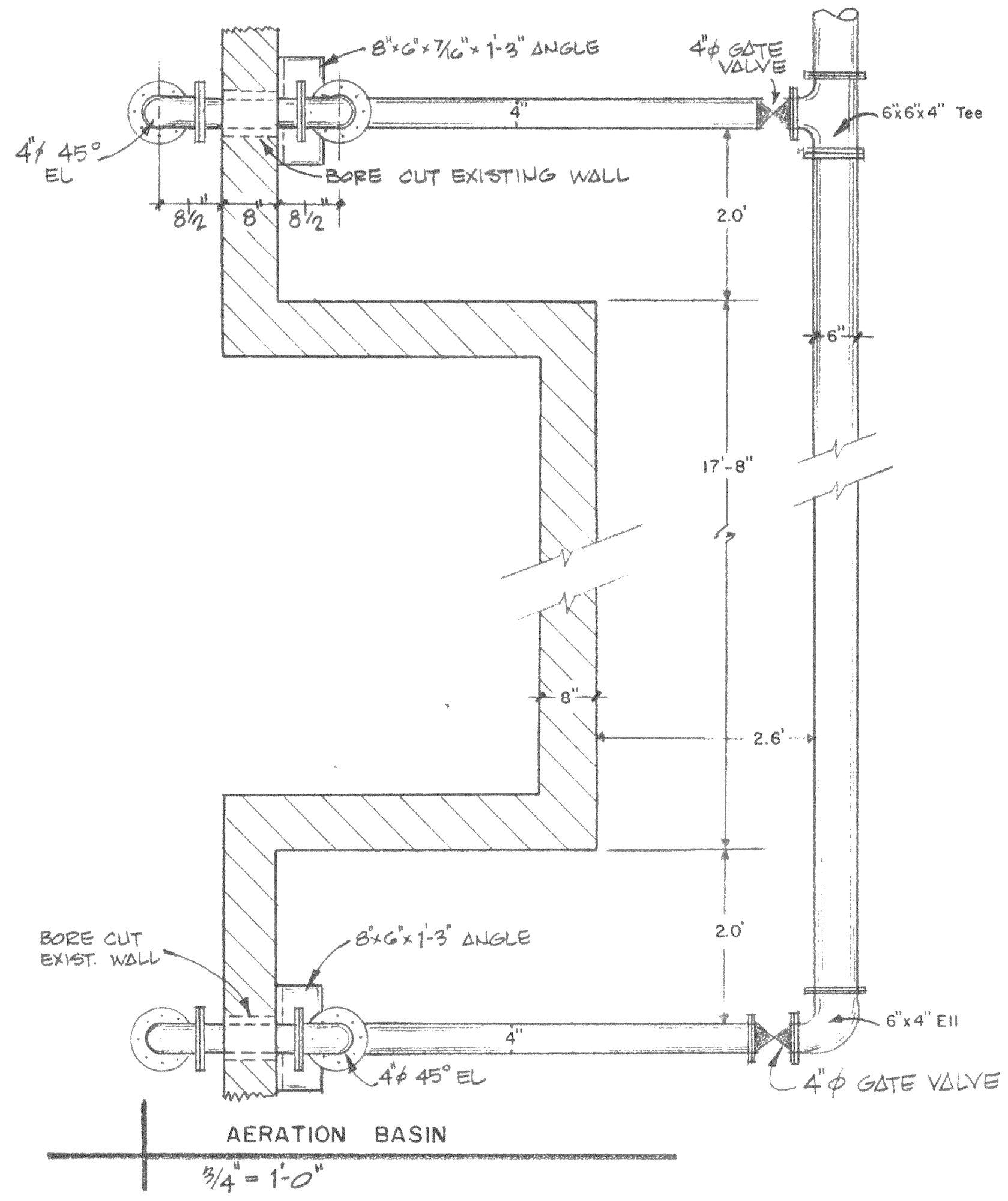
SUPPORT BRACKET (3 REQUIRED)  
N.T.S.



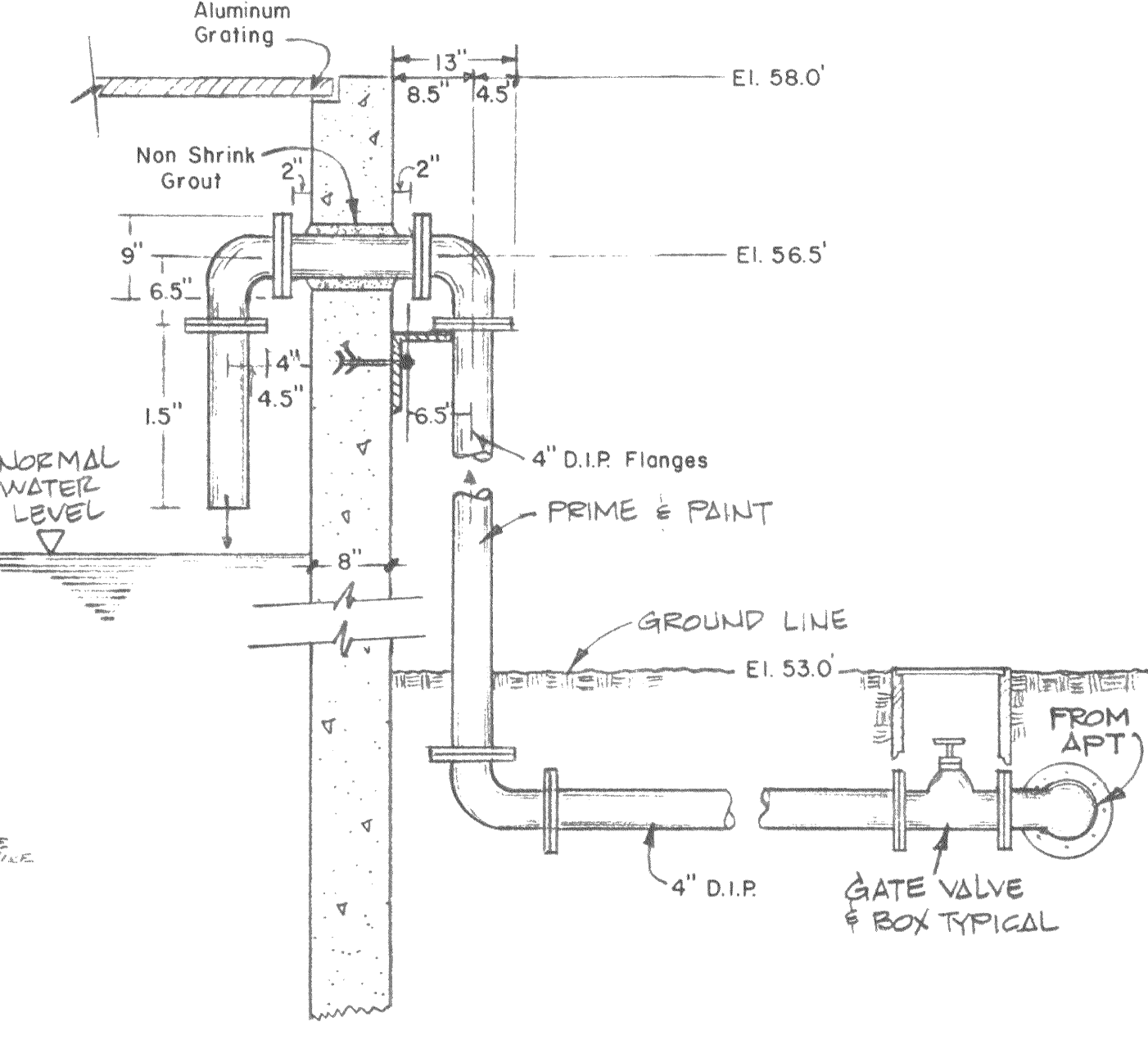
CONNECTION TO PRIMARY EFFLUENT DISTRIBUTION BOX  
3/4" = 1'-0"



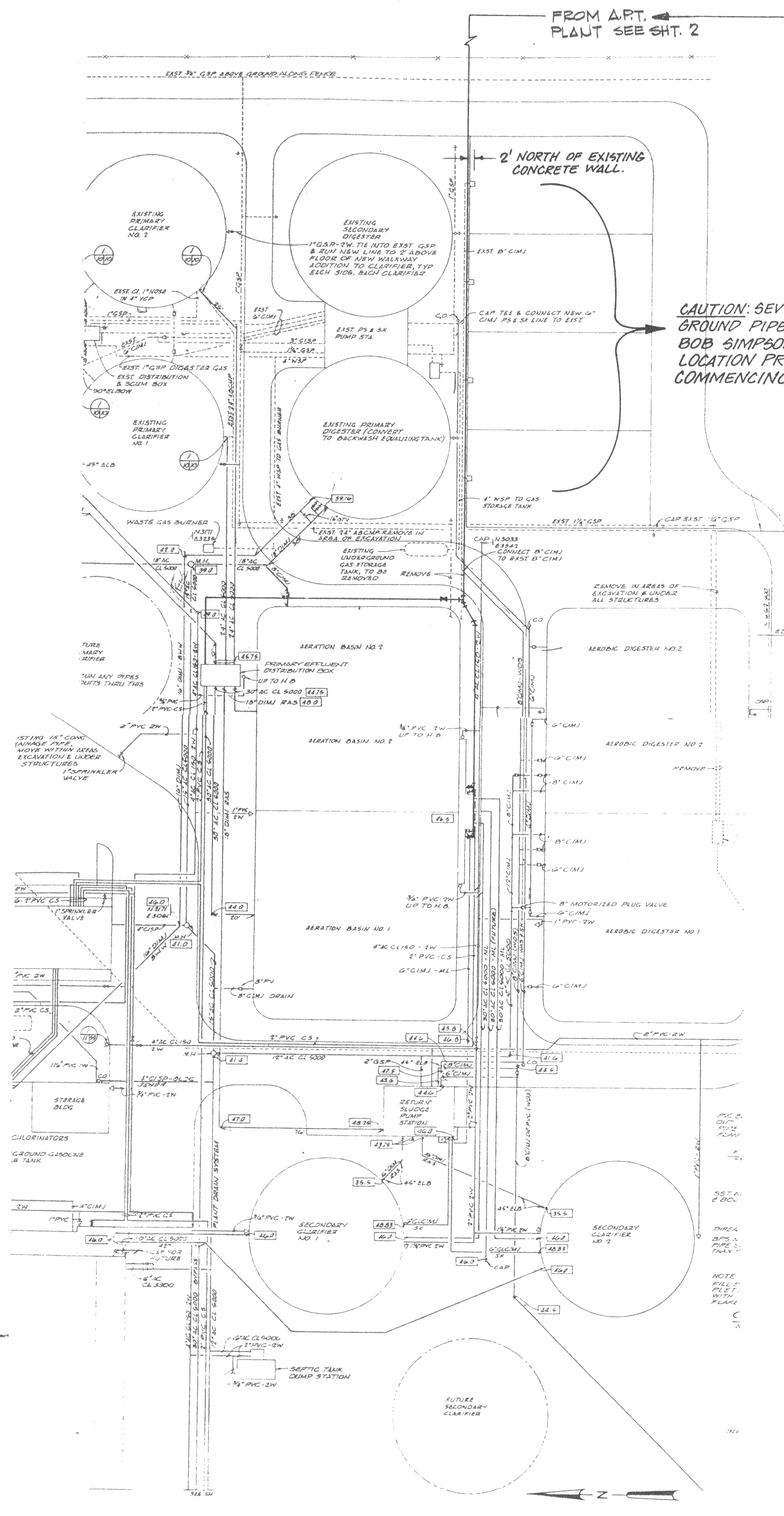
INTERIOR DROP CONNECTION - EXISTING MANHOLE  
STATION 333 + 75.0



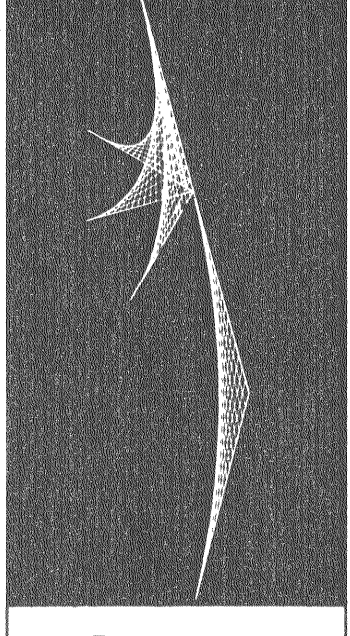
AERATION BASIN  
3/4" = 1'-0"



CONNECTION TO AERATION BASIN - Two Locations  
3/4" = 1'-0"



PIPING PLAN  
N.T.S. 1" = 40'



**COOK ASSOCIATES**  
ENGINEERING CONSULTANTS  
2060 PARK AVENUE, OROVILLE, CALIFORNIA 95965

Applied Power Technology  
P.O. BOX 1898  
OROVILLE, CALIFORNIA  
Waste Water Return to SC-OR

REVISION	DATE

	2/12/88
DRAWN	DATE
APPROVED	DATE
FILE NO.	
SHEET NO.	
1	
OF 2 SHTS	
JOB NO.	85009