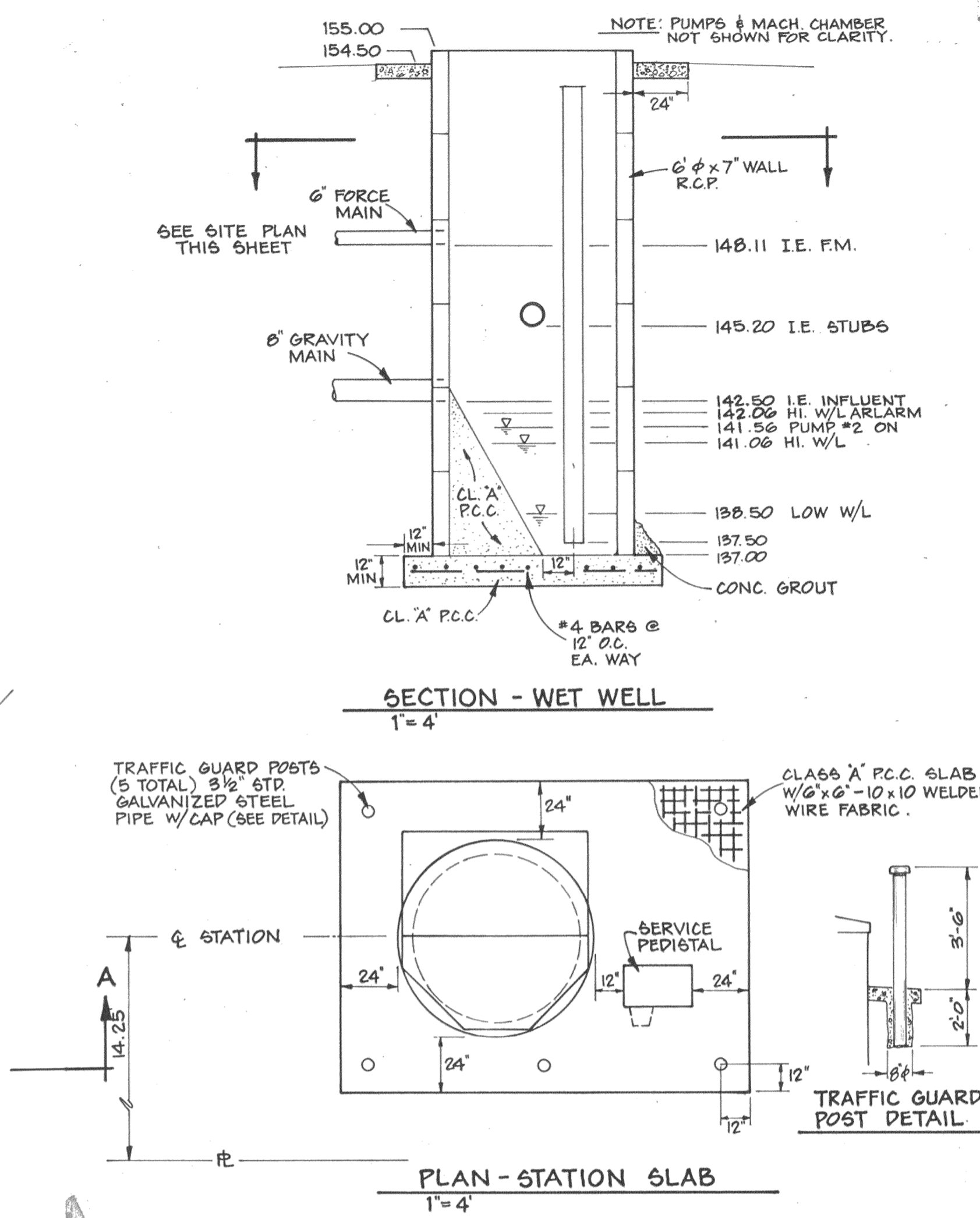


GENERAL SITE PLAN
1" = 4'



SECTION - WET WELL
1" = 4'

PLAN - STATION SLAB
1" = 4'

LEGEND

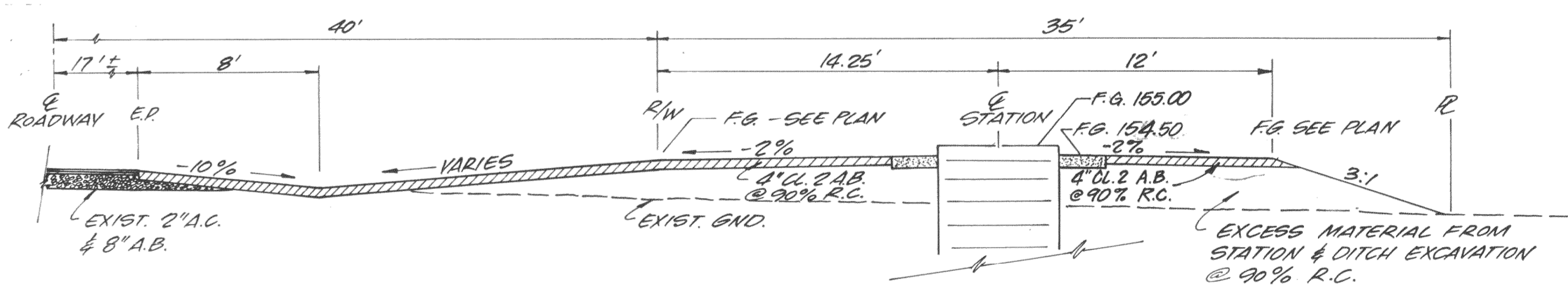
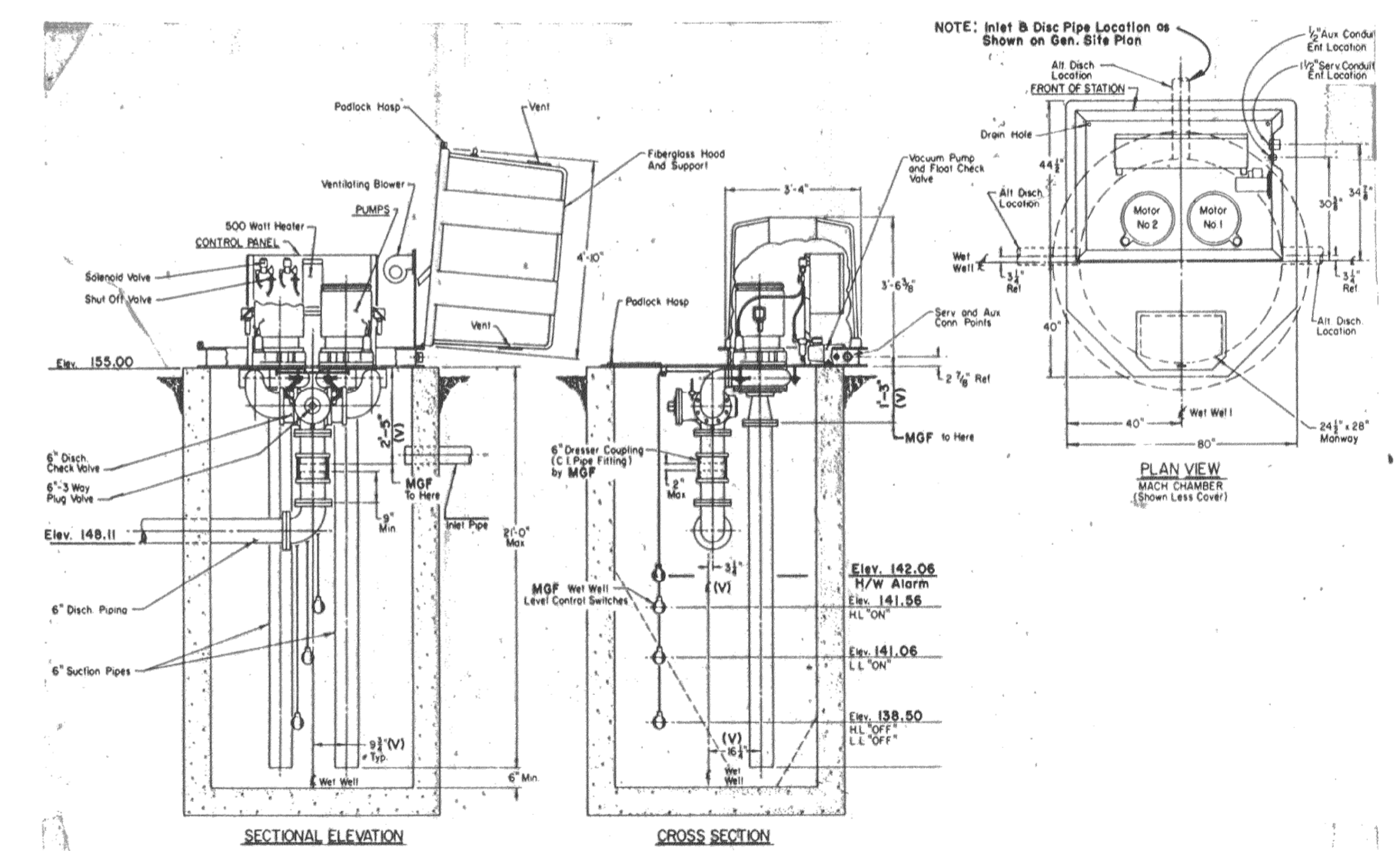
- (S) SEE SPECIFICATIONS
- (V) VARIES WITH MANUFACTURER
- SEE NOTE ①

NOTES

- ① ALL DIMENSIONS SHOWN ARE MINIMUM
- ② ALL WETWELL CONSTRUCTION SHALL CONFORM TO THE REQUIREMENTS FOR MANHOLE CONST. (S)
- ③ STRUCTURE EXCAVATION & BACKFILL, INCLUDING PUMP STATION, SHALL EQUAL THAT AS REQUIRED FOR MANHOLE CONSTRUCTION. (S)
- ④ ELECTRICAL SERVICE SHALL CONFORM TO P.G. & E. REQUIREMENTS AND ALL APPLICABLE CODES
- ⑤ SEE ELECTRICAL DETAILS

PUMP DATA - OPERATING CONDITIONS

TYPE (S) - NO. OF PUMPS	2
PUMP CAPACITY - G.P.M.	260
STATIC HEAD - FEET	14.3
TOTAL DYNAMIC HEAD - FEET	18.8
MAXIMUM PUMP R.P.M.	875
MOTOR HORSEPOWER	2



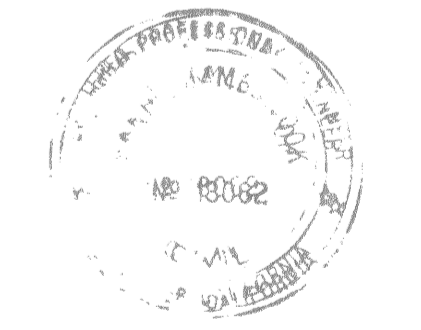
SECTION - SITE GRADING
N.T.S.

SEWAGE PUMPING STATION

BASE BID

COOK ASSOCIATES
ENGINEERING CONSULTANTS
2060 PARK AVENUE, OROVILLE, CALIFORNIA 95965

CITY OF OROVILLE
SANITARY SEWER EXTENSION
INDUSTRIAL UNIT No. 2
SEWAGE PUMPING STATION - BASE BID



REVISION	DATE
DRAWN	DATE
APPROVED	DATE
A-486	
FILE NO.	
SHEET NO.	
c1	
OF 12 SHTS	
JOB NO.	0472