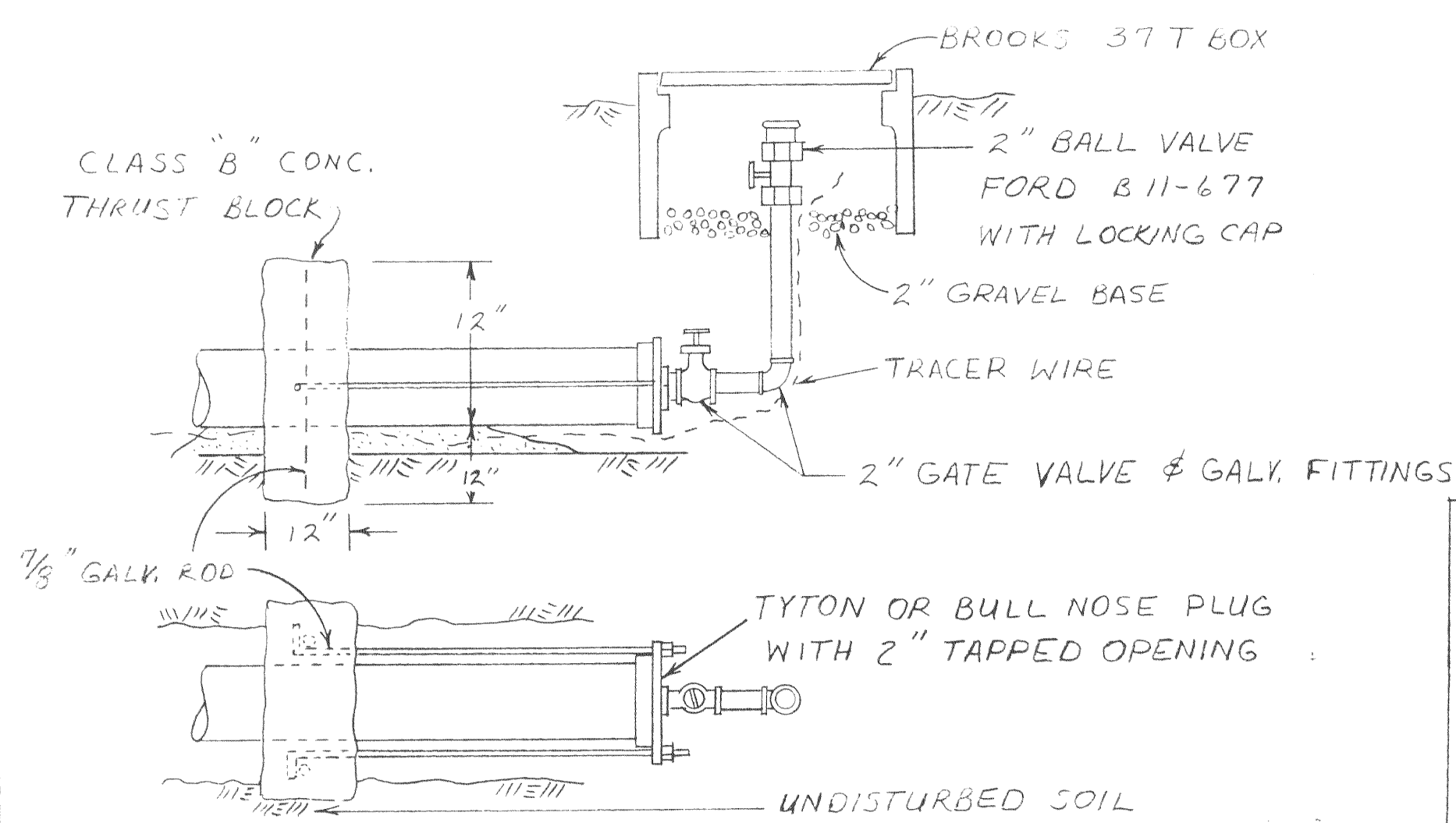
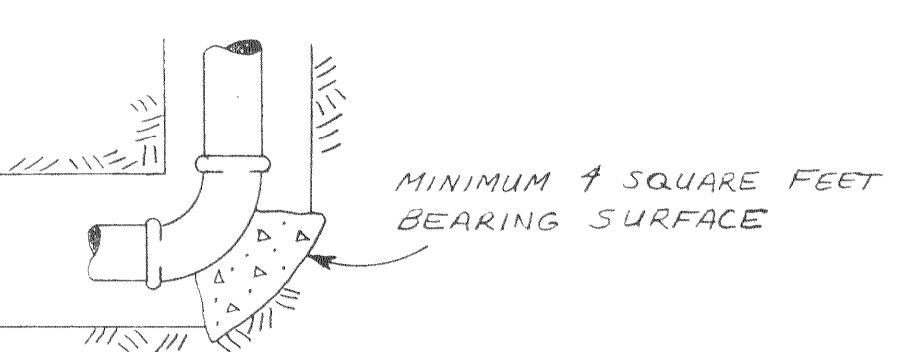


- 1) TAPED CONNECTION WITH FLYS IN Joints INSTEAD OF MANDRELING
- 2) ALL TRENCHES TO BE INSTALLED AT 90° TO MAIN.
- 3) BRASS GATE VALVE OR COMPARTMENT STOP
- 4) BRASS CLOSE NIPPLE
- 5) STRAIGHT COUPLING FORD C86-44
- 6) ALL SERVICES SHALL BE AT L.E. 340' IN EXISTING PLASTIC CLASS 160 FOR 7" 1" MINIMUM DIAMETER
- 7) PROVIDE GOOSENECK IN HORIZONTAL PLANE, LAY PIPE LOOSELY IN TRENCH
- 8) LIMITS OF NEW SERVICE PIPING WHEN CONNECTING TO EXISTING METER BOX
- 9) 2" BRASS TEE WITH 2" x 3/4" RUSHING
- 10) 3/4" - 90° REDUCING BRASS ELBOW
- 11) 1" x 1/4" REDUCER FORD C86-34
- 12) CONCRETE METER BOX, BROOKS NO. 36-S
- 13) INSTALL TRACER WIRE AS REQUIRED, LOOP END IN METER BOX
- 14) METER SET FORD LSV11233

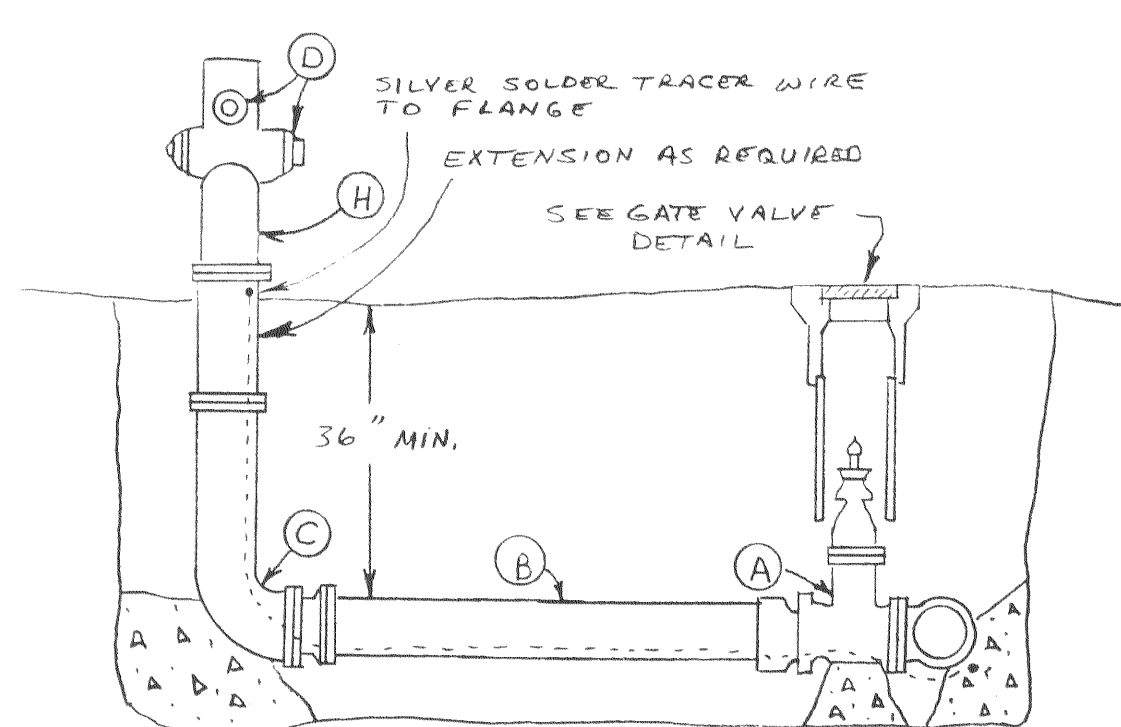
W 3 SERVICE CROSSING ASSEMBLY
NO SCALE



W 2 STUB OUT TYPE BLOW OFF
NO SCALE

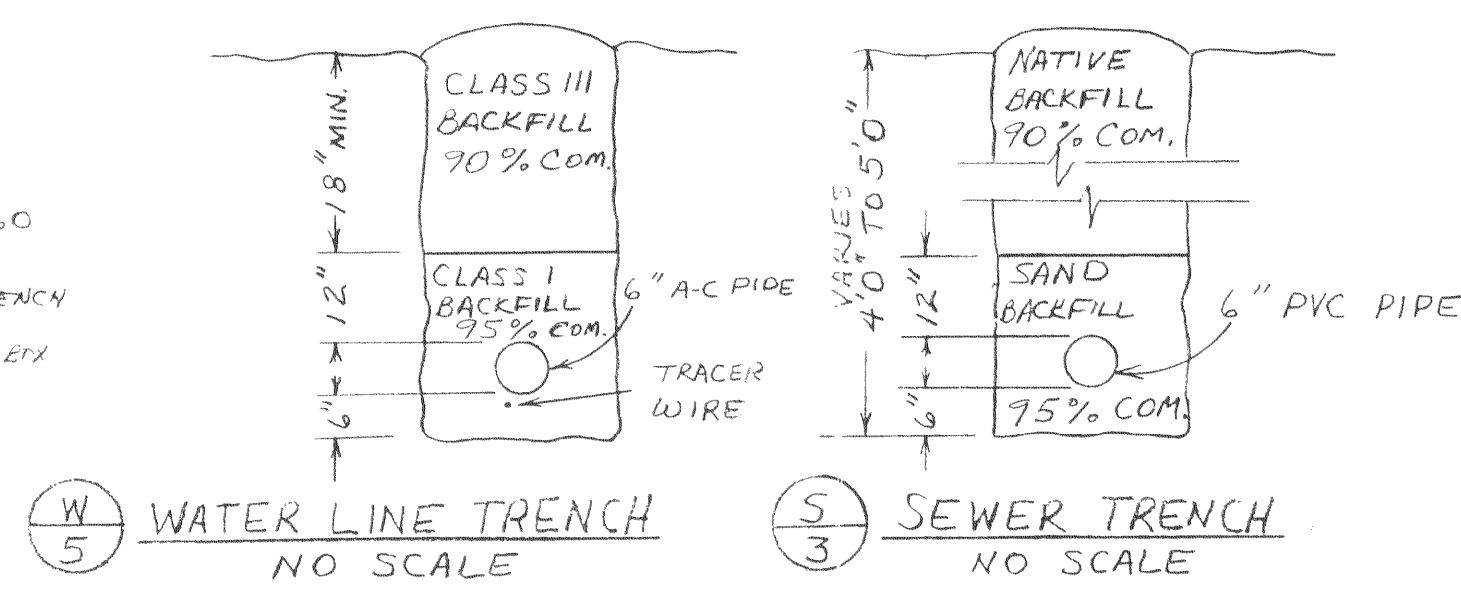


W 1 90 DEGREE BEND
NO SCALE

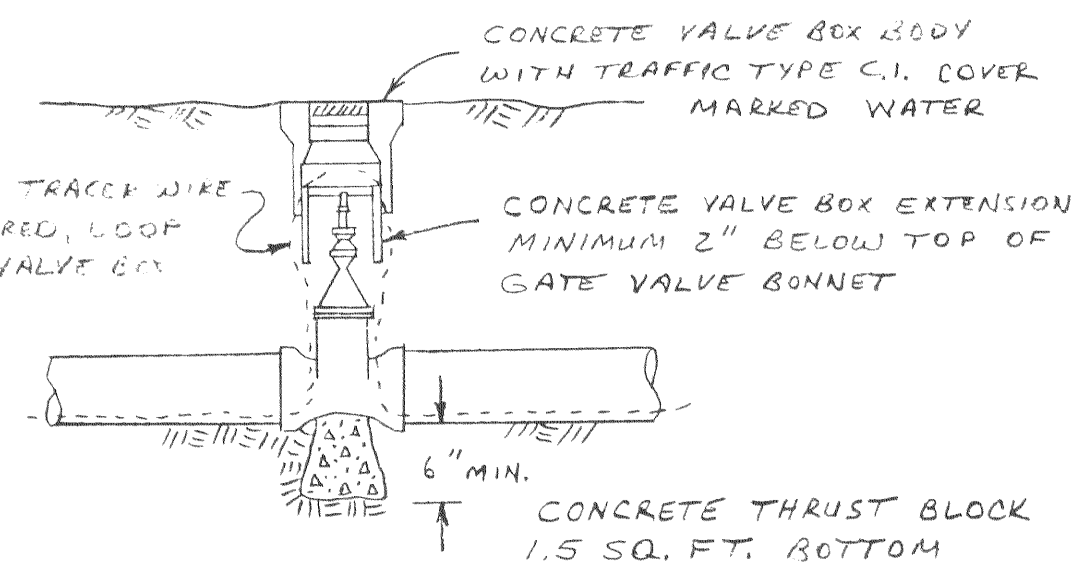


(H)	(A)	(B)	(C)	(D)
6" HYDRANT CLOW OR EQ.	6" GATE VALVE	6" A.C.P.	CLOW 6" RING FLANGE	1-2 1/2" AND 1-4 1/2" OUTLETS

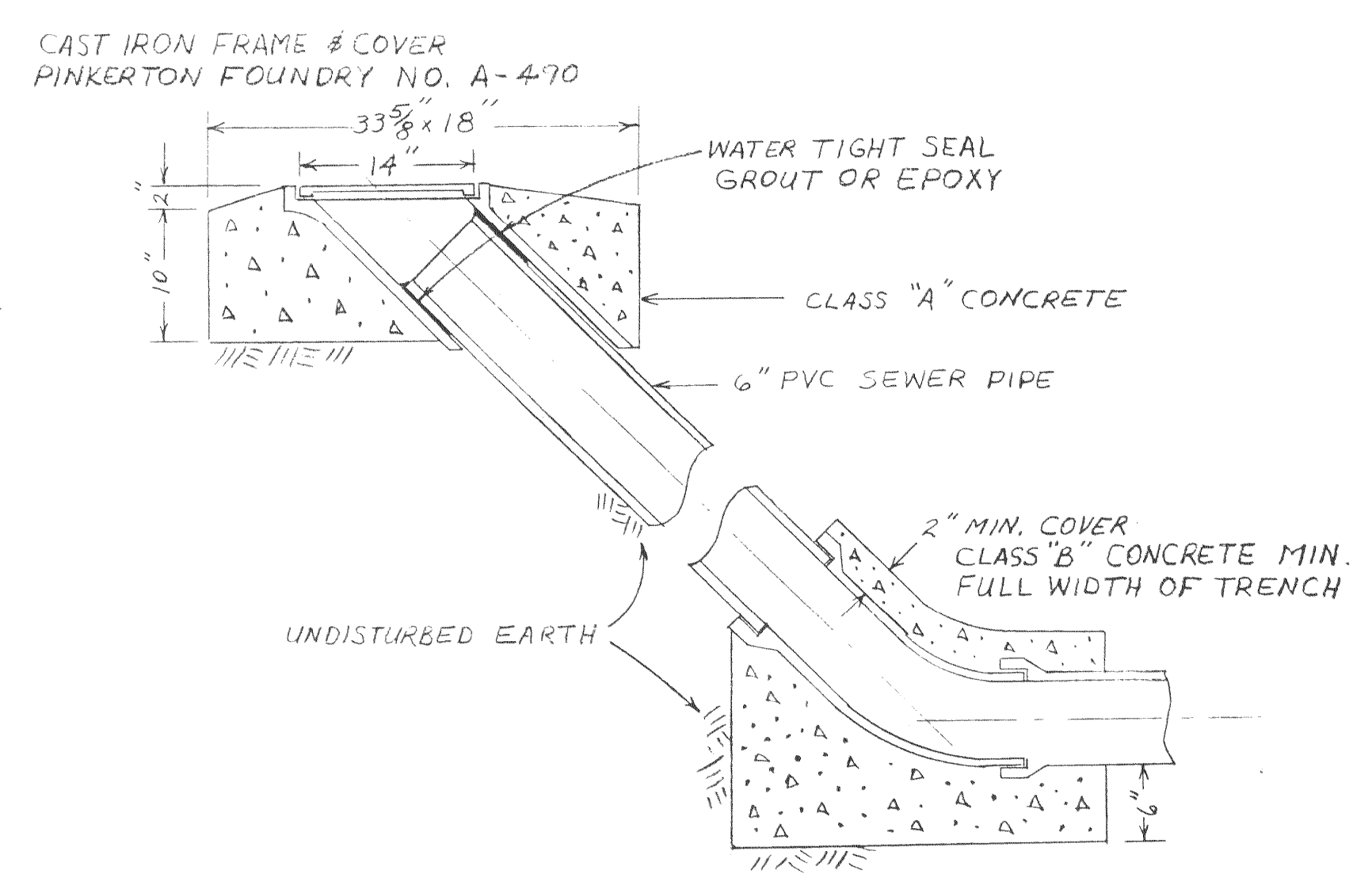
W 0 FIRE HYDRANT (EXISTING)
NO SCALE



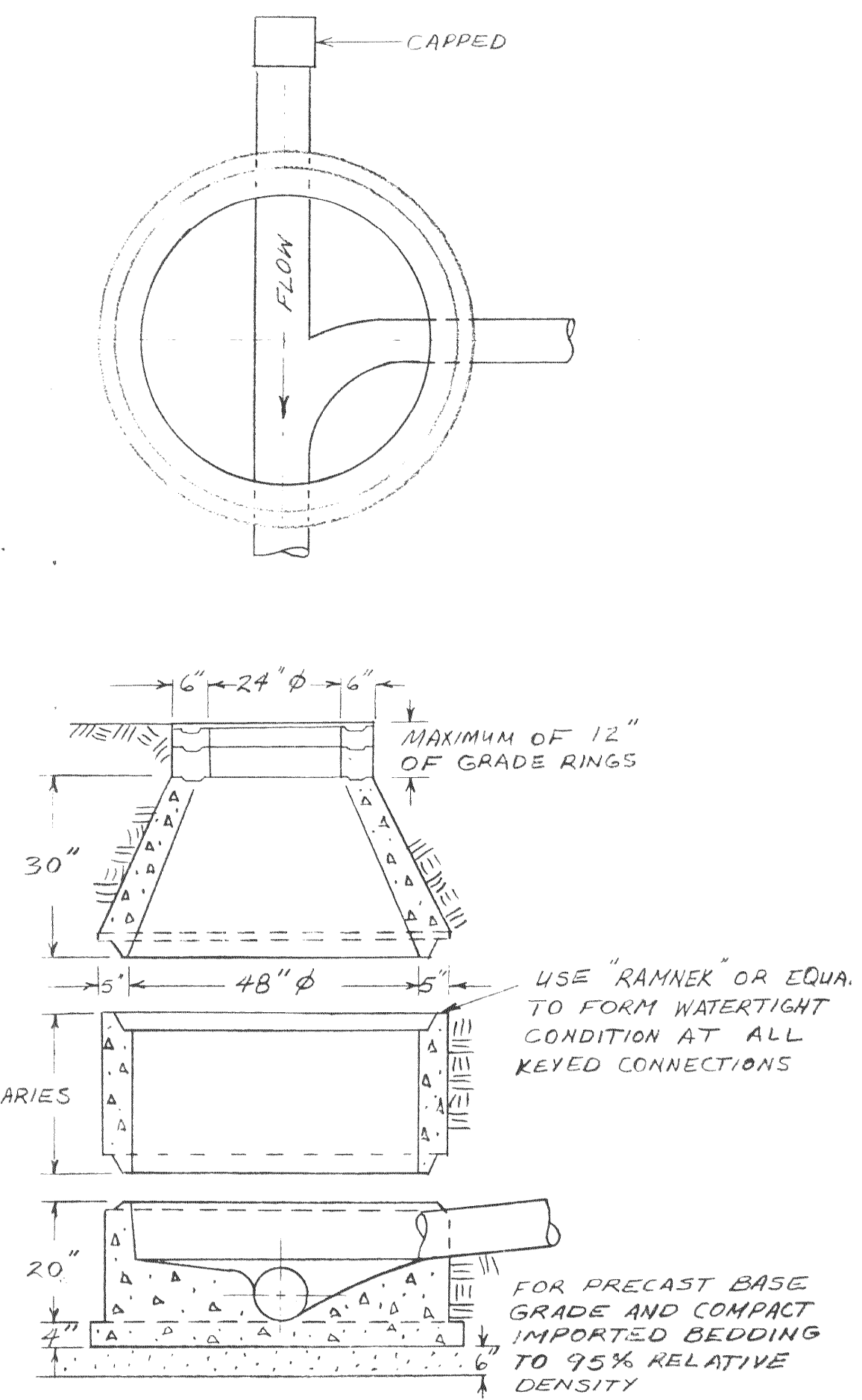
W 5 WATER LINE TRENCH NO SCALE
S 3 SEWER TRENCH NO SCALE



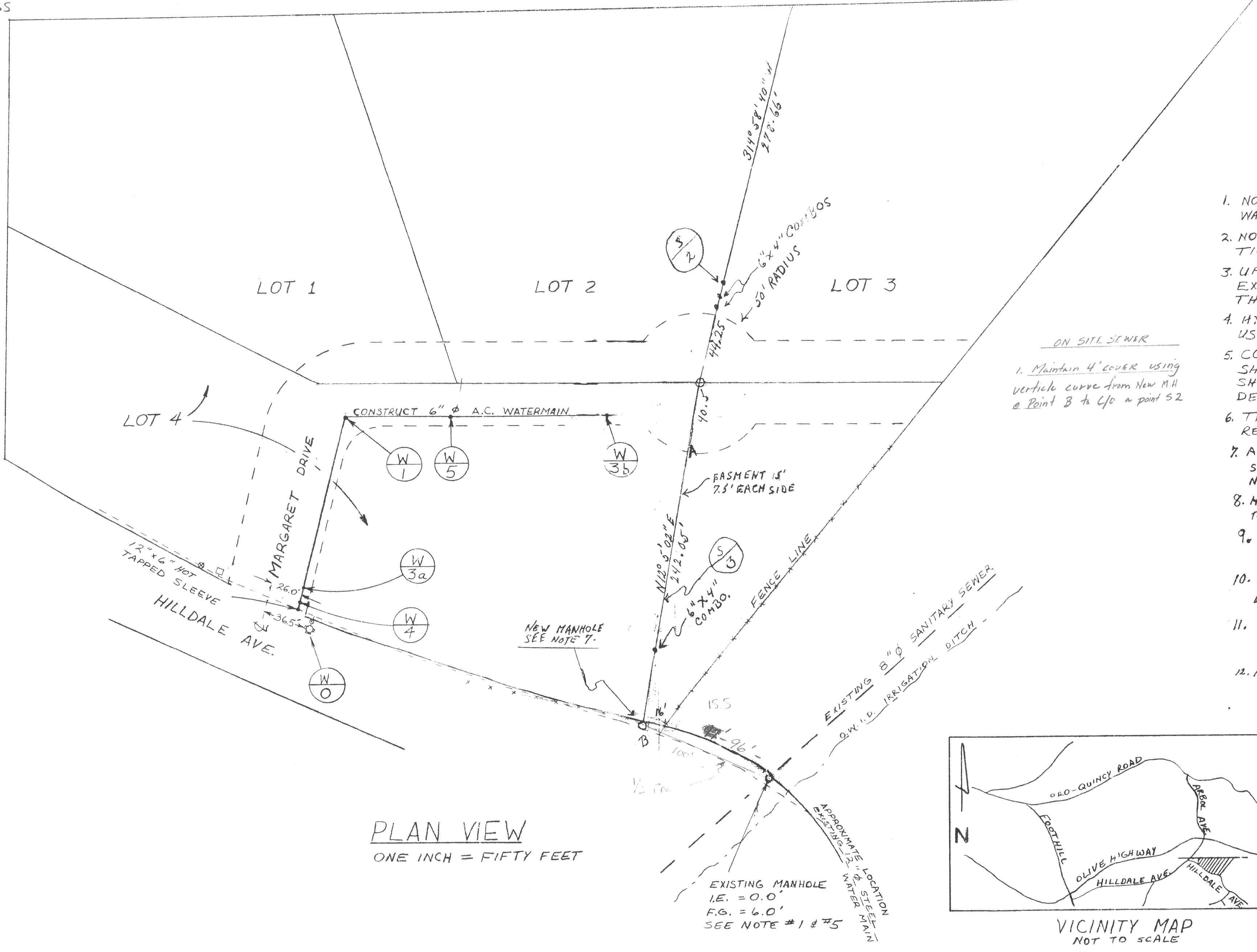
W 4 GATE VALVE DETAIL
NO SCALE



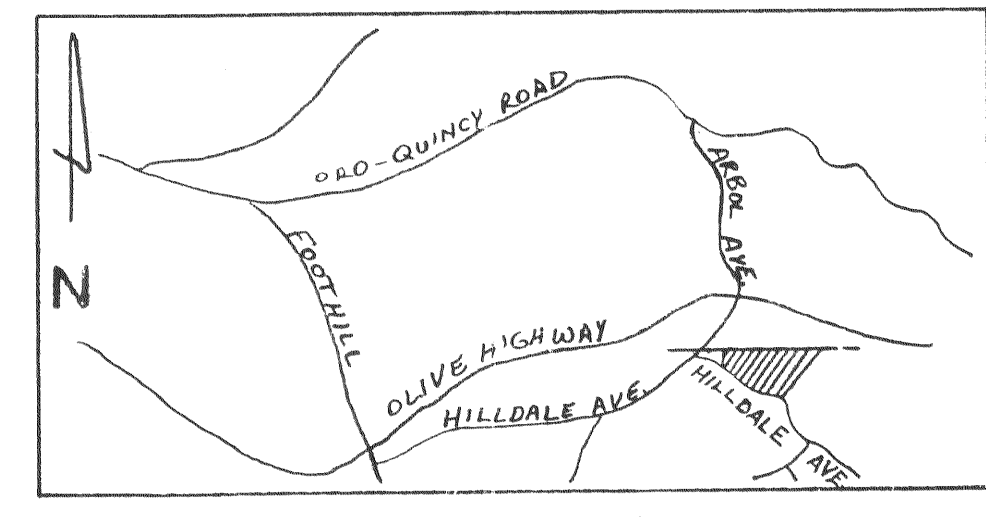
S 2 SANITARY SEWER - FLUSHING BRANCH
NO SCALE



S 1 SANITARY SEWER MANHOLE
NO SCALE



PLAN VIEW
ONE INCH = FIFTY FEET



VICINITY MAP
NOT TO SCALE

- NOTES
1. NOTIFY THE CITY OF OROVILLE TO TEST FOR WATER TIGHTNESS PRIOR TO BACKFILL.
 2. NOTIFY O.W.I.D. TO TEST FOR WATER TIGHTNESS PRIOR TO BACKFILL.
 3. UPON REQUEST, O.W.I.D. WILL LOCATE THE EXISTING WATERLINE BEFORE CONSTRUCTION OF THE NEW LINE.
 4. HYDRAULIC SHORING SHALL BE USED ALONG HILLDALE AVENUE EASEMENT.
 5. CONNECTIONS TO THE EXISTING SEWER MANHOLE SHALL BE GROUTED WATER TIGHT. A SWEEP SHALL BE HAND MORTARED INSIDE MANHOLE TO DEFLECT FLOW 90° INTO SEWER MAIN.
 6. TWELVE FOOT WIDE UTILITY EASEMENT IS RECORDED IN BOOK _____ OF MAPS, AT PAGE _____
 7. A MANHOLE DROP REF. (OROVILLE CITY SPECS SS-03 REV. 11-7-83) SHALL BE INSTALLED AT NEW MANHOLE.
 8. HOLD LINE FROM EXISTING MANHOLE AT 1/2% GRADE TO NEW MANHOLE.
 9. ELEVATION EXISTING MANHOLE TO NEW MANHOLE 5 FT. 76F BETWEEN MANHOLES
 10. ELEVATION NEW MANHOLE (POINT B) TO (POINT A) EDGE OF CUL-DE-SAC 43.2F DISTANCE 242.05'
 11. ELEVATION (POINT A) TO S-2 5.42F DISTANCE 84.75 F
 12. ALL ELEVATIONS RELATIVE TO 100 OF EXISTING MANHOLE

WATER & SEWER UTILITIES FOR SUBDIVISION BY LEROY V. CRAWFORD OROVILLE, CALIFORNIA