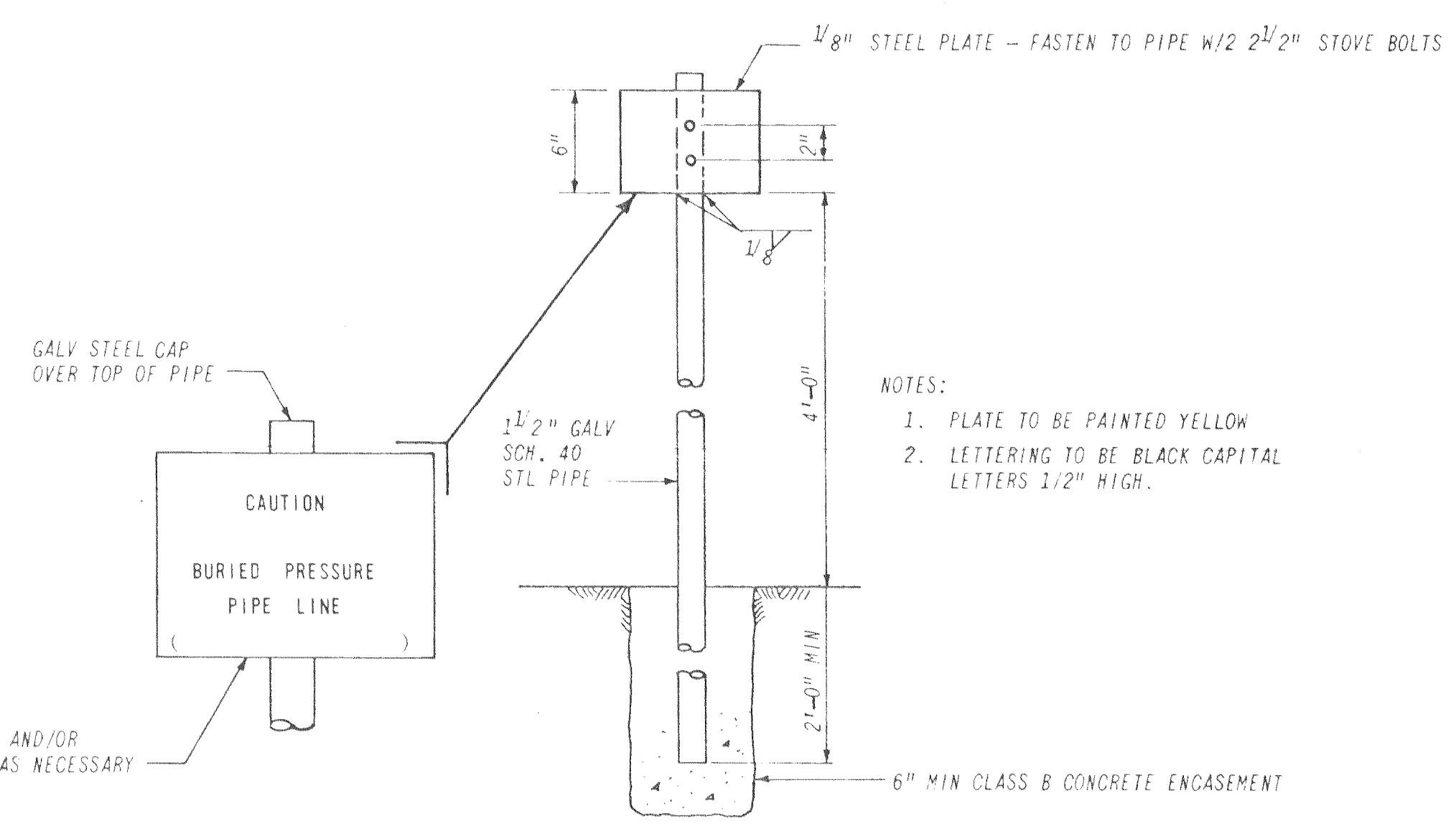


WESTERN PACIFIC TRACK CROSSING
NO SCALE

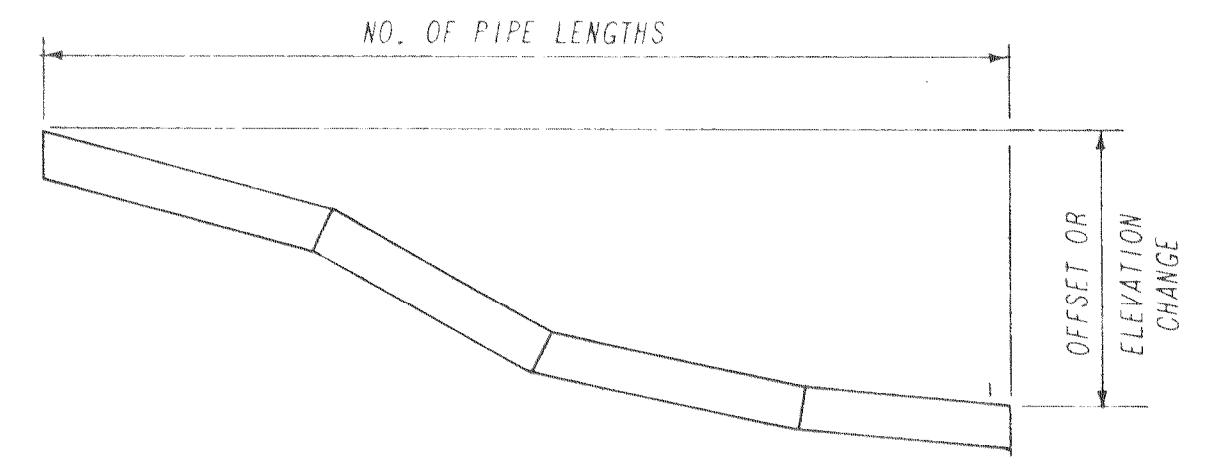


WARNING SIGN DETAIL
NO SCALE

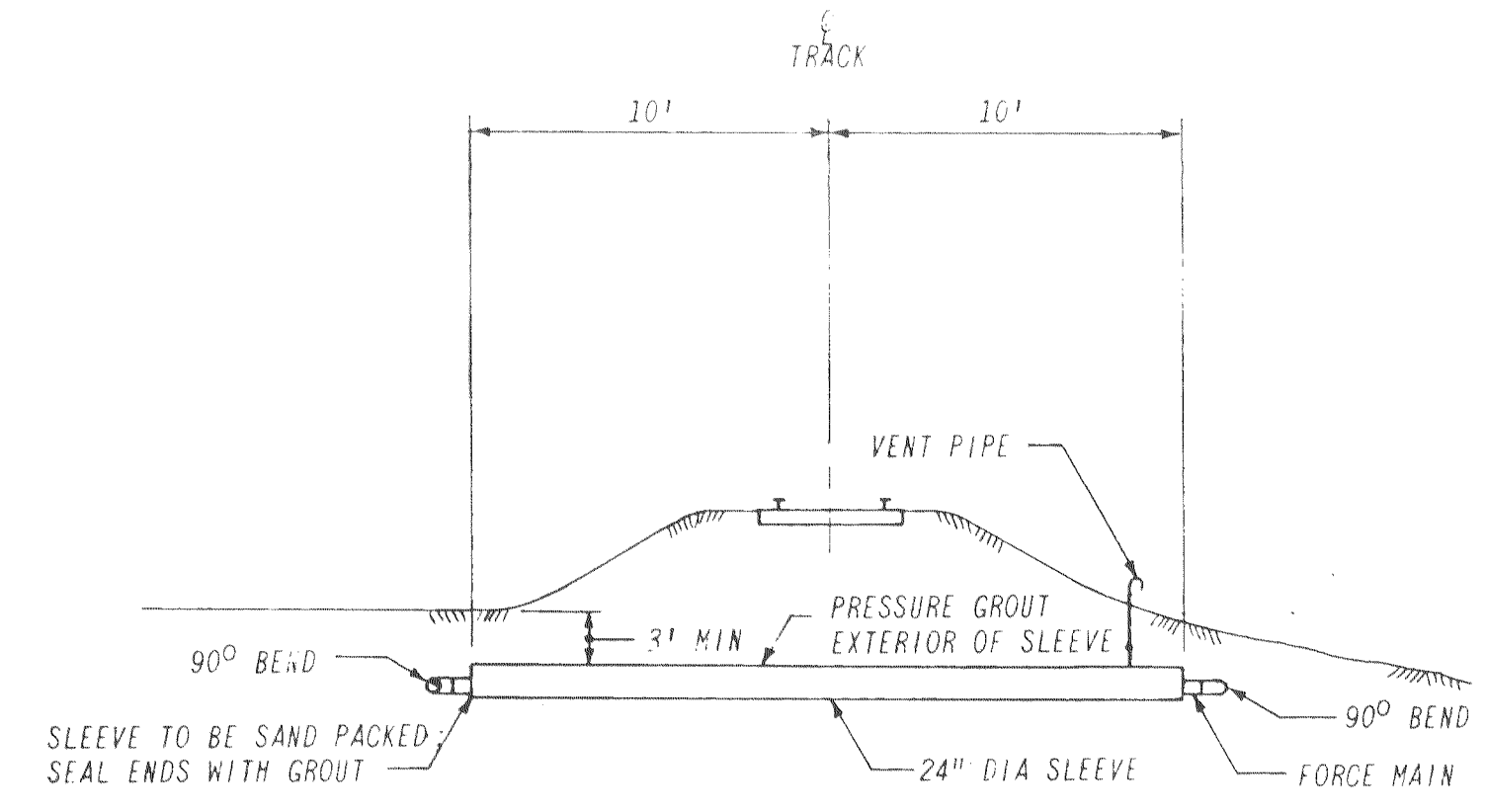
DIMENSIONS FOR DROP OR RISE IN ELEVATION OR OFFSET

ELEVATION CHANGE OR OFFSET (FT)	MINIMUM NO. OF PIPE LENGTHS		
	13 FT SECTIONS	18 FT SECTIONS	20 FT SECTIONS
1	2	2	1
2	3	3	2
3	4	3	3
4	4	4	3
5	5	4	4
6	5	5	4
7	5	5	5
8	6	5	5
9	7	5	5
10	7	6	6

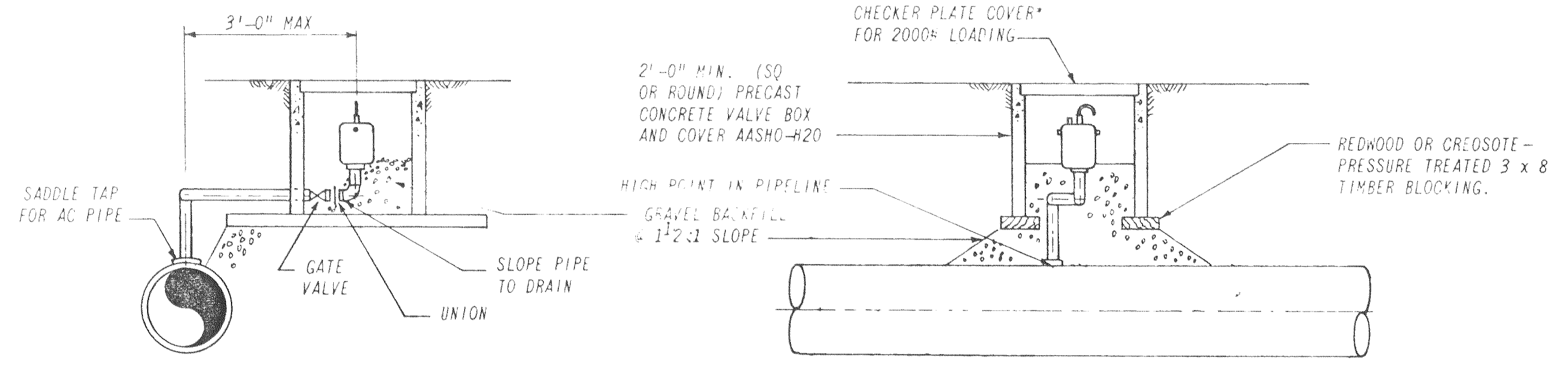
SHORT PIPE LENGTHS MAY BE USED FOR CROSSING UNDER WATERWAYS. MINIMUM PIPE LGTH 10 FEET.



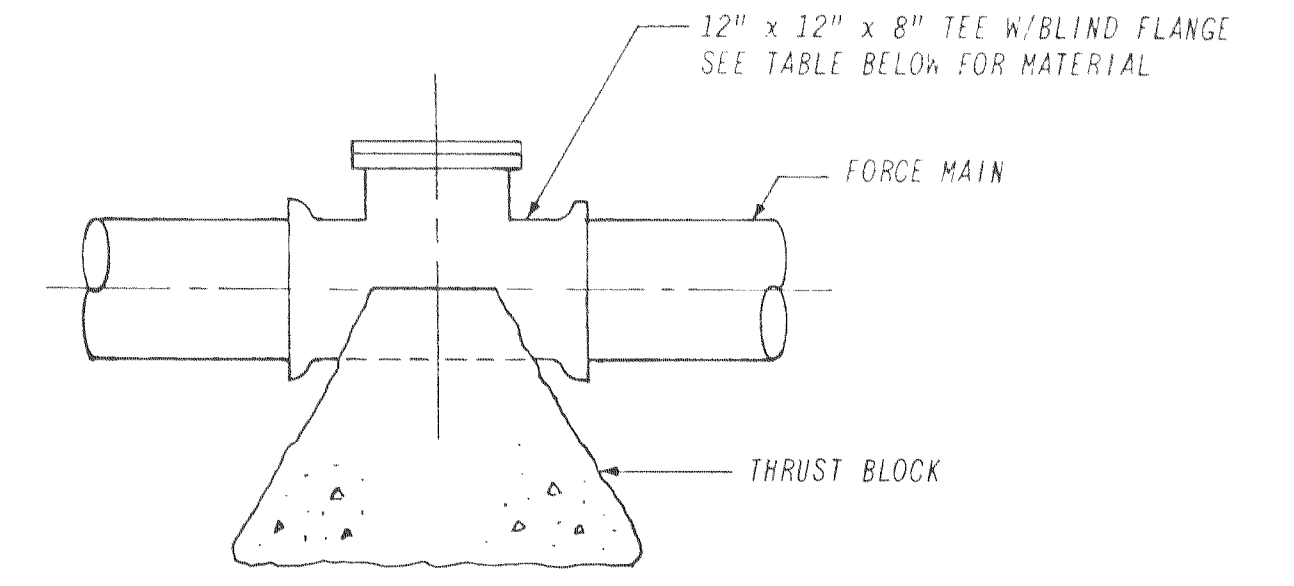
TRANSITION TABLE
NO SCALE



SOUTHERN PACIFIC/WESTERN PACIFIC INTERCHANGE
TRACK CROSSING
NO SCALE



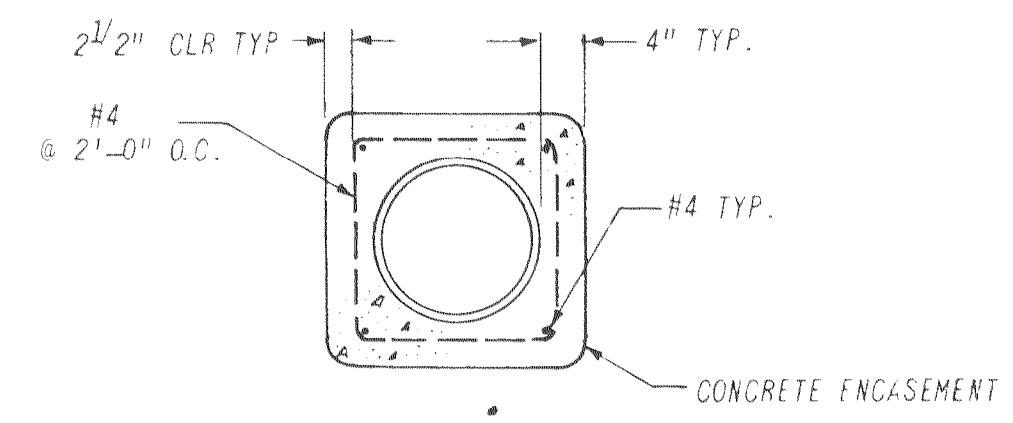
AIR RELEASE DETAIL
NO SCALE



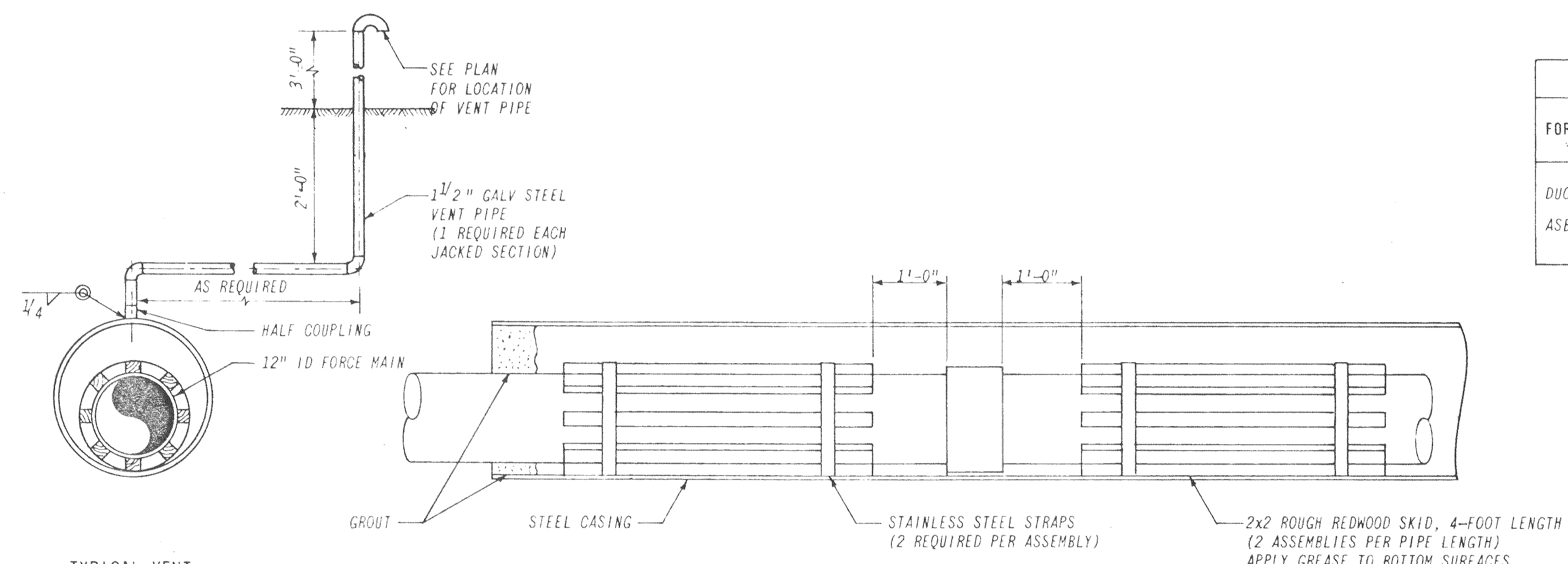
CLEANOUT DETAIL
NO SCALE

CLEANOUT MATERIALS

FORCE MAIN MATERIAL	CLEANOUT MATERIAL	SPEC SECTION
DUCTILE IRON (DI)	CAST IRON (CI)	2F.6
ASBESTOS CEMENT	EPOXY LINED AND COATED STEEL OR CI	2I.4



TYPICAL SECTION
PIPE CROSSING UNDER
ABANDONED RAILROAD BED
NO SCALE



TYPICAL VENT
NO SCALE

PIPE SLEEVE SKID DETAIL
NO SCALE

- NOTES:
1. PRE-FABRICATED SKID ASSEMBLIES MAY BE USED IN LIEU OF THOSE SHOWN IF APPROVED BY THE ENGINEER.
 2. SEE SPECIFICATIONS FOR PIPE JACKING REQUIREMENTS.

<p>REVISIONS</p> <table border="1"> <thead> <tr> <th>NUMBER</th> <th>DATE</th> <th>MADE BY</th> <th>CHECKED BY</th> <th>DESCRIPTION</th> </tr> </thead> <tbody> <tr> <td> </td> <td> </td> <td> </td> <td> </td> <td> </td> </tr> </tbody> </table>				NUMBER	DATE	MADE BY	CHECKED BY	DESCRIPTION						<p>DRAWN BY <i>[Signature]</i></p> <p>DEPT. CHECK <i>[Signature]</i></p> <p>PROJ. CHECK <i>[Signature]</i></p>	<p>REGISTERED PROFESSIONAL ENGINEER CHARLES E. PAUL NO. 14,825 STATE OF CALIFORNIA</p>	<p>M&E METCALF & EDDY, INC. ENGINEERS BOSTON • NEW YORK • PALO ALTO • CHICAGO</p> <p>REG. PROF. ENGR. <i>[Signature]</i> DATE 2/30/74</p>	<p>SCALE: AS SHOWN</p> <p>UNLESS OTHERWISE NOTED OR CHANGED BY REPRODUCTION</p>	<p>PACIFIC COAST PRODUCERS ORVILLE, CALIFORNIA INDUSTRIAL WASTEWATER TREATMENT & DISPOSAL FACILITIES</p> <p>MISCELLANEOUS DETAILS</p>	<p>JOB: _____</p> <p>FILE NO.: _____</p> <p>SHEET: G-3</p>
NUMBER	DATE	MADE BY	CHECKED BY	DESCRIPTION															