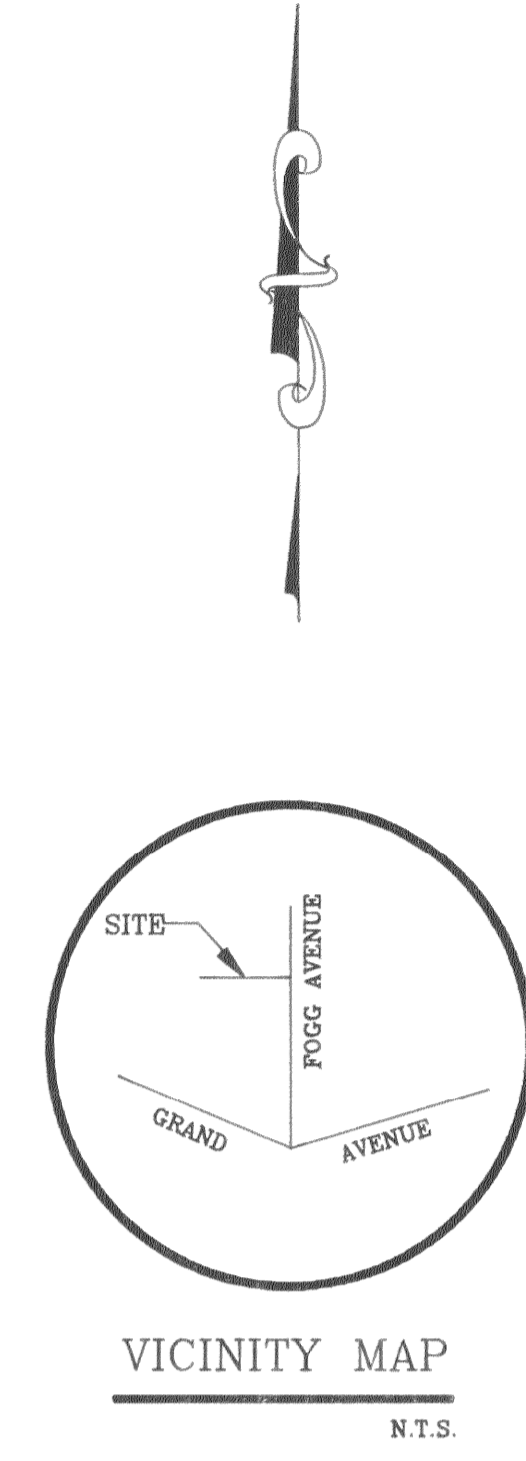
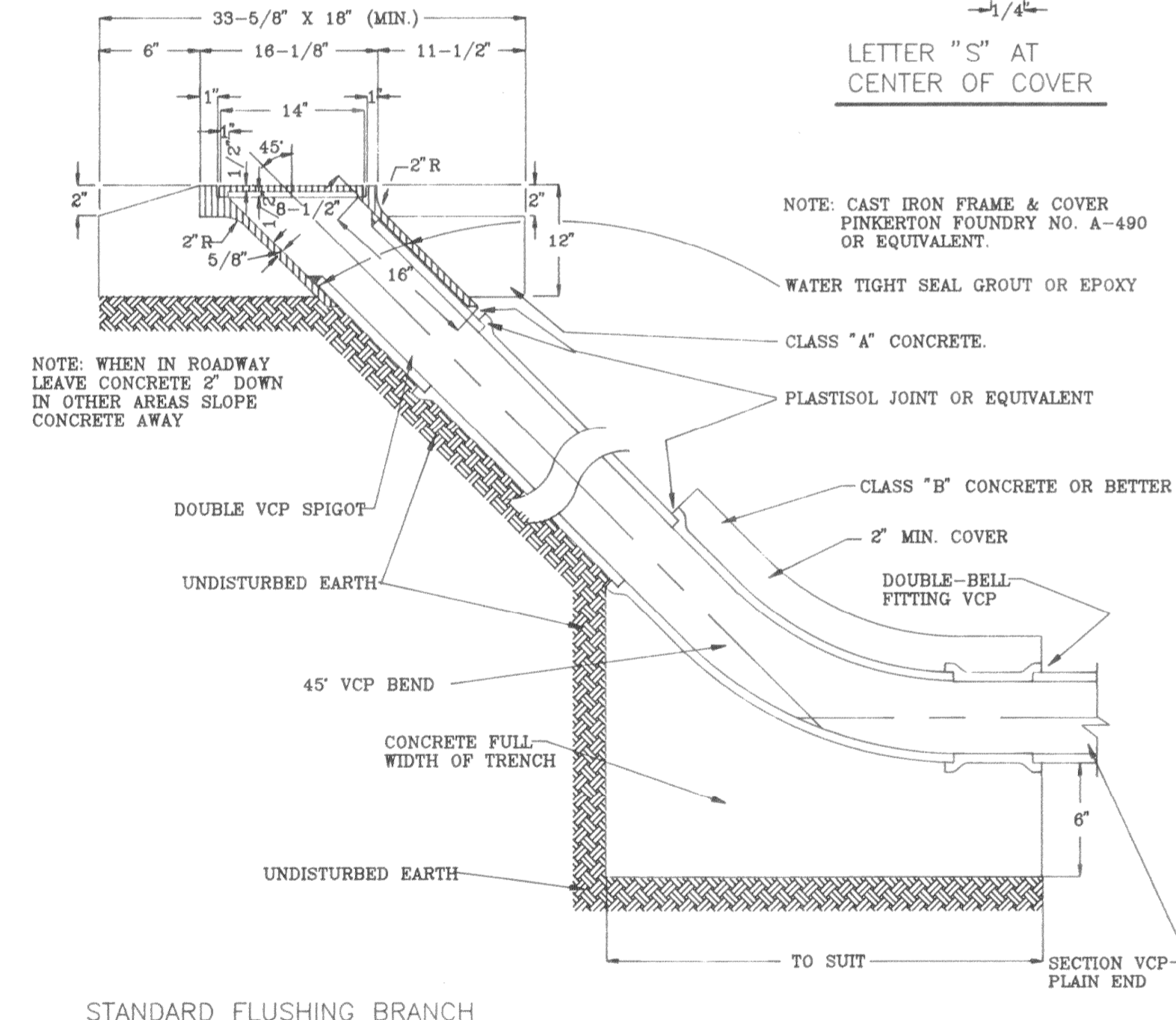
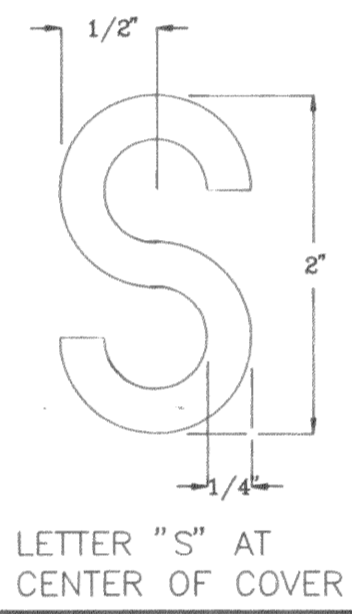
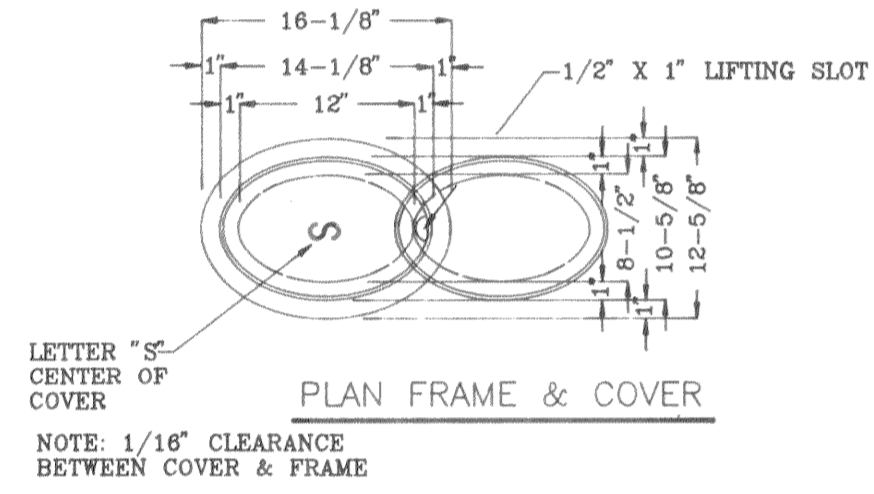
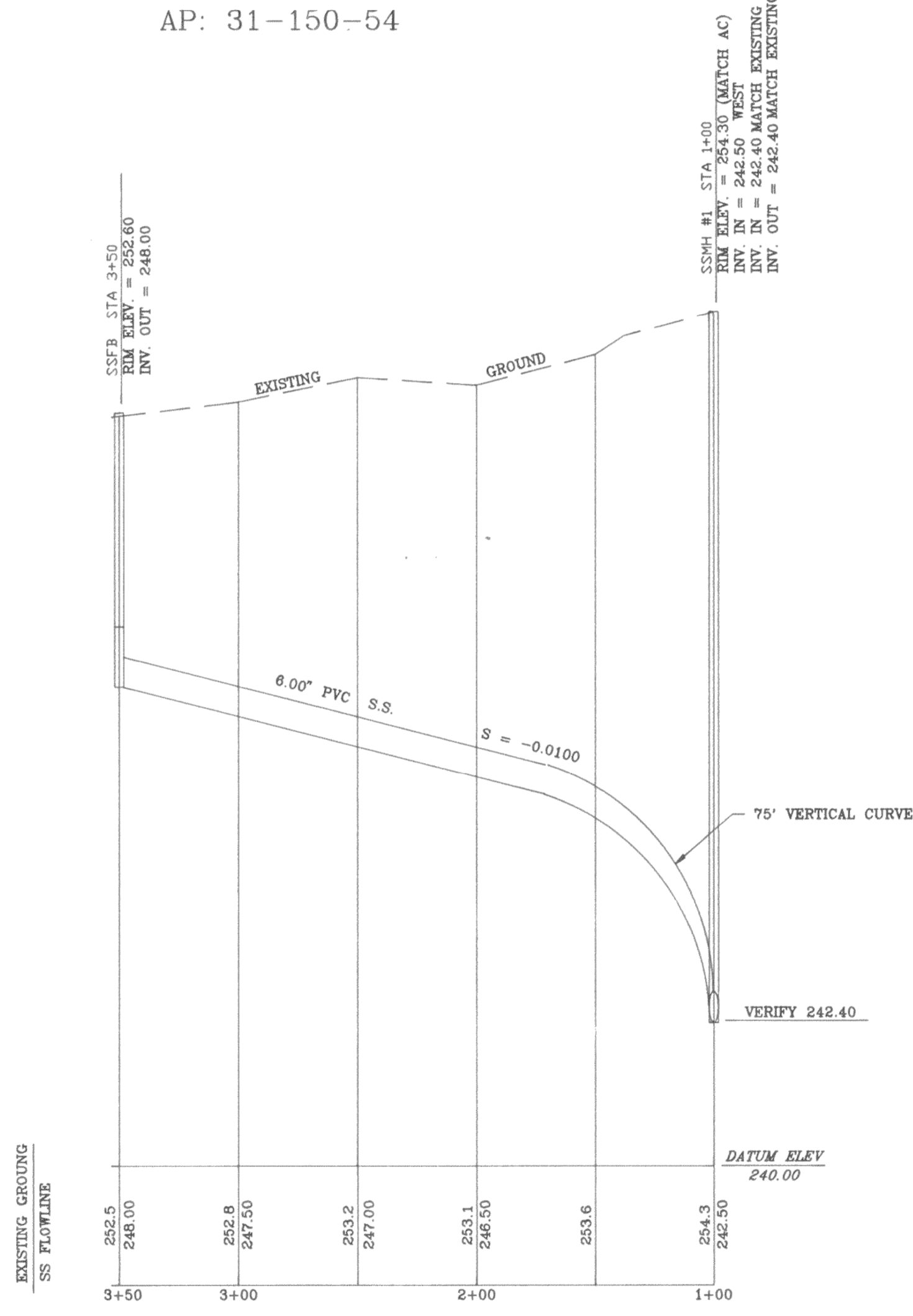


NOTE: CONTRACTOR TO VERIFY LOCATION OF ALL UTILITIES BEFORE START OF CONSTRUCTION.



AP: 31-150-54



APPROVED: *Mike Crump*
 MIKE CRUMP
 DIRECTOR OF PUBLIC WORKS
 CITY OF OROVILLE
 R.C.E. 41977 EXP. 3/31/96

DATE: 8/15/92

REF: CITY OF OROVILLE DWG SS 210

FIELD BOOK 91-068S LL ELEVATION DATUM CITY B.M. #28 RR SPIKE IN #P#103, LOCATED ON SOUTH SIDE GRAND AVE. AT EAST END OF GRAND VIEW. CITY DATUM. ELEVATION = 253.41		DRAWN J.D.C. DESIGNED K.C.L. CHECKED K.C.L. SCALE 1" = 50' HORZ. 1" = 2' VERT.	APPROVED: <i>Kenneth Cleahardt</i> 8/11/92 DATE	GDA ENGINEERING SURVEYING PLANNING 220 GRAND AVENUE OROVILLE, CA. (916)533-2068 ACAD 91068PP1	IMPROVEMENT PLANS CITY OF OROVILLE SANITARY SEWER LINE (FOGG AVENUE)	SHEET 1 OF 1 SHEETS JOB NO. 91-068S
DATE	NO	REVISION	BY	APP'D		